



Illustrated Parts Manual

MODELS
1930ES, 2030ES,
2630ES,
2646ES & 3246ES
S/N 0200152825
TO S/N 0200198014 &
S/N 1200008481
TO PRESENT

3121248

November 4, 2014

ANSI

CE



An Oshkosh Corporation Company

REVISION LOG

NOTES:

NOTE: Country of Manufacture - The ES Scissor Lifts are manufactured by JLG Industries in the following countries: USA, Belgium or China. Refer to the Serial Number Tag to identify the country of manufacture. ES Scissors manufactured in the USA will have a serial number prefix of 02 (i.e. 02XXXXXXXX), ES Scissors manufactured in Belgium will have a prefix of 12 (i.e. 12XXXXXXXX) and ES Scissors manufactured in the China will have a serial number prefix of B2 (i.e. B2XXXXXXXX).

NOTE: 1930ES, 2030ES, 2630ES, 2646ES & 3246ES Global Illustrated Parts Manual P/N 3121167 has been replaced by multiple manuals. Review machine S/N and use the Global Illustrated Parts Manual for the correct serial number range:

USA Built Machines Prior to S/N 0200135154 — Use manual p/n 3121246.

USA Built Machines S/N 0200135154 to S/N 0200152825 — Use manual p/n 3121247.

USA Built Machines S/N 0200152825 to S/N 0200198014 — Use manual p/n 3121248.

USA Built Machines S/N 0200198014 to Present — Use manual p/n 3121275.

Belgium Built Machines Prior to S/N 1200004293 — Use manual p/n 3121246.

Belgium Built Machines S/N 1200004293 to S/N 1200008481— Use manual p/n 3121247.

Belgium Built Machines S/N 1200008481 to Present — Use manual p/n 3121248.

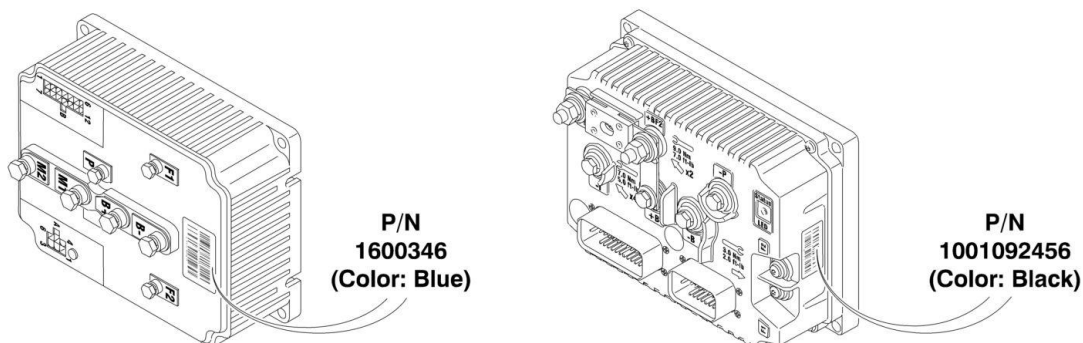
China Built Machines S/N B200000100 to Present — Use manual p/n 3121275.

NOTE: Drive Module Identification - The module is located inside a compartment on the frame behind the front drive wheels. Remove the cover and identify the drive module by part number or visual identification (See illustration below). Also, identify the country of manufacture by referring to the S/N nameplate before ordering parts (See note above).

USA built machines: All machines built before to S/N 0200198014 use the 1600346 Drive Module. All Machines built S/N 0200198014 to present machines use the 001092456 Drive Module.

Belgium built machines: All machines use the 1600346 Drive Module.

China built machines: All machines use the 1001092456 Drive Module.



MANUAL REVISION LOG:

May 31, 2008 - Original Issue of Manual (Edited to B/M 0010588 Revision 68)

August 1, 2008 - Revised Manual (Edited to B/M 0010588 Revision 69)

March 1, 2009 - Revised Manual (Edited to B/M 0010588 Revision 69)

November 15, 2009 - Revised Manual (Edited to B/M 0010588 Revision 77)

December 16, 2009 - Revised Manual (Edited to B/M 0010588 Revision 77)

March 1, 2010 - Revised Manual (Edited B/M 0010588 Revision 83)

November 1, 2010 - Revised Manual (Edited B/M 0010588 Revision 89)

April 11, 2011 - Revised Manual (Edited B/M 0010588 Revision 91)

July 22, 2011 - Revised Manual

REVISION LOG

October 7, 2011 - Revised Manual

January 10, 2012 - Revised Manual

June 20, 2012 - Revised Manual

August 23, 2012 - Revised Manual

January 10, 2013 - Revised Manual

April 15, 2013 - Revised Manual

July 10, 2013 - Revised Manual

October 9, 2013 - Revised Manual

November 4, 2014 - Revised Manual

TABLE OF CONTENTS

SECTION 1 - FRAME.....	7
FIGURE 1-1. STEERING, DRIVE AND REAR AXLE INSTALLATIONS (USA BUILT MACHINES AND BELGIUM BUILT MACHINES) (SN 0200152825 through 0200170584, SN 1200008481 through 1200015158).....	8
FIGURE 1-2. STEERING, DRIVE AND REAR AXLE INSTALLATIONS (USA BUILT MACHINES AND BELGIUM BUILT MACHINES) (SN 0200170585 through 0200198014, SN 1200015159 to Present)	12
FIGURE 1-3. WHEEL DRIVE ASSEMBLY	16
FIGURE 1-4. DRIVE MODULE AND OTHER FRAME MOUNTED COMPONENTS.....	22
FIGURE 1-5. POTHOLE PROTECTION INSTALLATION (1930ES/2030ES/2630ES).....	26
FIGURE 1-6. POTHOLE PROTECTION INSTALLATION (2646ES/3246ES)	30
FIGURE 1-7. BATTERY CHARGER ASSEMBLY AND INSTALLATION (DELTA-Q CHARGER).....	34
FIGURE 1-8. BATTERY CHARGER WITH INVERTER ASSEMBLY AND INSTALLATION (OPTIONAL ON ANSI AND CSA SPEC MACHINES)	38
FIGURE 1-9. LADDERS, BEACON LIGHT AND ROTARY SENSOR COVER INSTALLATION	40
SECTION 2 - GROUND COMPONENTS.....	43
FIGURE 2-1. BATTERIES AND COVERS INSTALLATION	44
FIGURE 2-2. GROUND CONTROL ASSEMBLY AND INSTALLATION	48
FIGURE 2-3. BRAKE DISCONNECT/RELEASE AND MDI (MULTIFUNCTION DIGITAL INDICATOR) GAUGE INSTALLATIONS	52
SECTION 3 - SCISSOR ARMS.....	55
FIGURE 3-1. SCISSOR ARMS INSTALLATION - 1930ES	56
FIGURE 3-2. SCISSOR ARMS INSTALLATION - 2030ES	60
FIGURE 3-3. SCISSOR ARMS INSTALLATION - 2630ES	64
FIGURE 3-4. SCISSOR ARMS INSTALLATION - 2646ES/3246ES.....	68
SECTION 4 - PLATFORM.....	73
FIGURE 4-1. PLATFORM INSTALLATION	74
FIGURE 4-2. RAIL (FIXED) INSTALLATION - 1930ES.....	78
FIGURE 4-3. RAIL (FOLD-DOWN) INSTALLATION - 1930ES	82
FIGURE 4-4. RAIL INSTALLATION - 2030ES/2630ES	84
FIGURE 4-5. RAIL INSTALLATION - 2646ES/3246ES.....	88
FIGURE 4-6. PLATFORM CONSOLE BOX INSTALLATION	92
FIGURE 4-7. DRIVE/STEER CONTROLLER ASSEMBLY (USA BUILT MACHINES AND BELGIUM BUILT MACHINES) (SN 0200152825 through 0200172401, SN 1200008481 through 1200015408).....	96
FIGURE 4-8. DRIVE/STEER CONTROLLER ASSEMBLY(USA BUILT MACHINES AND BELGIUM BUILT MACHINES) (SN 0200172402 through 0200198014, SN 1200015409 to Present)	98
SECTION 5 - CYLINDER	101
FIGURE 5-1. LIFT CYLINDER ASSEMBLY	102
FIGURE 5-2. STEER CYLINDER ASSEMBLY.....	108
SECTION 6 - HYDRAULIC	111
FIGURE 6-1. HYDRAULIC DIAGRAM.....	112
SECTION 7 - ELECTRICAL	115
FIGURE 7-1. ELECTRICAL SCHEMATIC.....	116
FIGURE 7-2. 1930ES ELECTRICAL COMPONENTS INSTALLATION	118
FIGURE 7-3. 2030ES/2630ES ELECTRICAL COMPONENTS INSTALLATION	132
FIGURE 7-4. 2646ES/3246ES ELECTRICAL COMPONENTS INSTALLATION	146
SECTION 8 - DECALS.....	159
FIGURE 8-1. DECAL INSTALLATION (ANSI SPEC)	160
FIGURE 8-2. DECALS INSTALLATIONS (ANSI EXPORT SPEC).....	166
FIGURE 8-3. DECAL INSTALLATION (AUSTRALIAN, CE AND JAPANESE SPECS).....	174
SECTION 9 - RECOMMENDED SERVICE PARTS STOCK	179
FIGURE 9-1. MODEL ES STANDARD PARTS	180

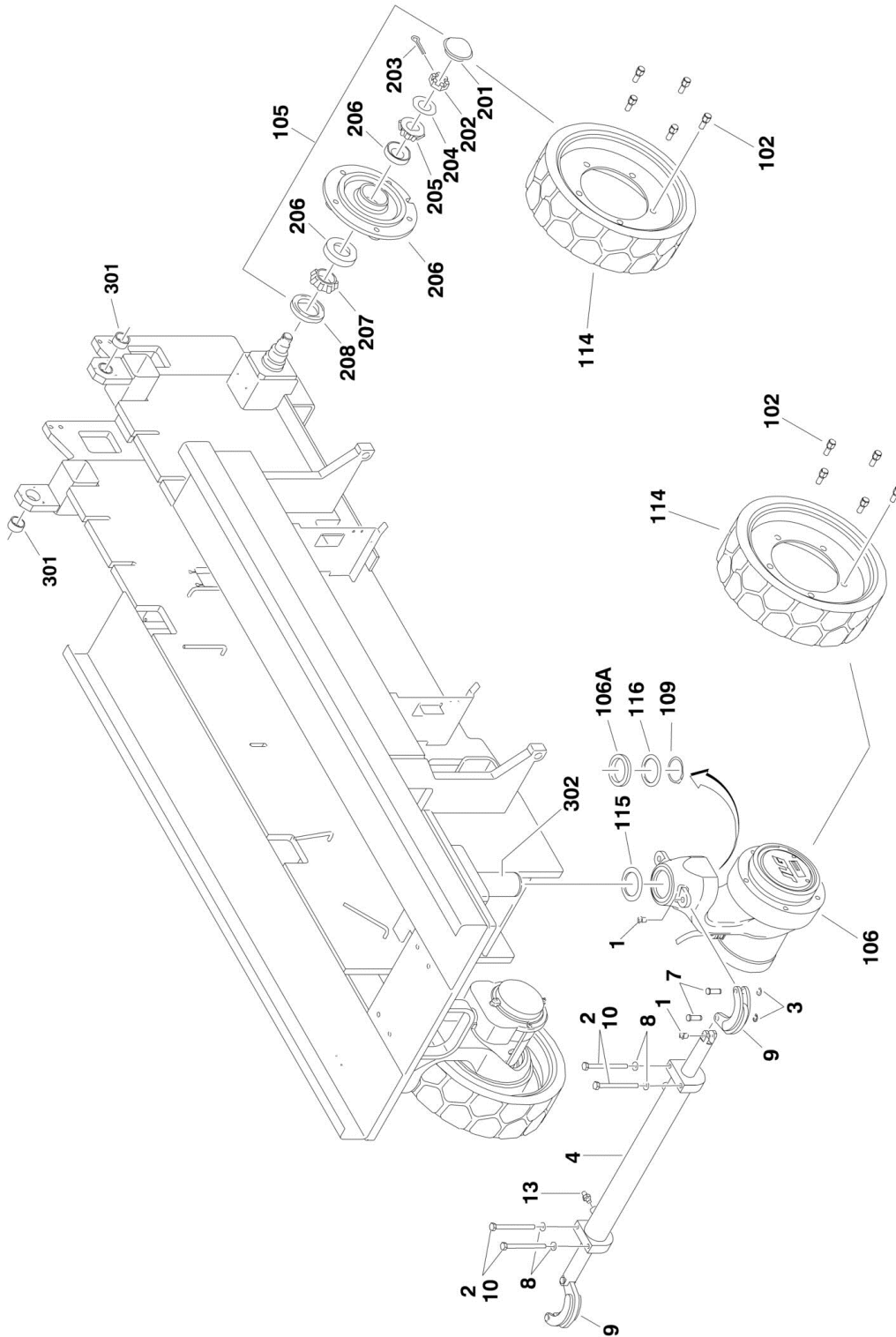
TABLE OF CONTENTS

FIGURE 9-2. MODEL ES VARIABLE PARTS.....	182
FIGURE 9-3. MODEL ES MAINTENANCE KITS.....	184
SECTION 10 - SPECIAL OPTIONS	185
FIGURE 10-1. SPECIAL OPTIONS LIST.....	186
PART NUMBER INDEX.....	191

SECTION 1 - FRAME

SECTION 1 - FRAME

FIGURE 1-1. STEERING, DRIVE AND REAR AXLE INSTALLATIONS (USA BUILT MACHINES AND BELGIUM BUILT MACHINES) (SN 0200152825 through 0200170584, SN 1200008481 through 1200015158)



SECTION 1 - FRAME

FIGURE 1-1. STEERING, DRIVE AND REAR AXLE INSTALLATIONS (USA BUILT MACHINES AND BELGIUM BUILT MACHINES) (SN 0200152825 through 0200170584, SN 1200008481 through 1200015158)

ITEM	PART NUMBER	QTY	DESCRIPTION	REV
		Ref	STEERING INSTALLATION	
	0272371	Ref	Steering Installation (1930ES)	G
	0273227	Ref	Steering Installation (2030ES/2630ES)	D
	0274546	Ref	Steering Installation (2646ES/3246ES)	B
1	0440259	2	Bearing, Flanged	
2		Ref	Bolt M10 Options:	
2	0701016	4	40mm Length	
2	0701020	4	60mm Length	
3	1380153	4	E-Clip	
4		Ref	Steer Cylinder Assembly (See CYLINDER SECTION for Breakdown):	
4	1684237	1	Steer Cylinder Assembly (1930ES/2030ES/2630ES)	
4	1684456	1	Steer Cylinder Assembly (2646ES/3246ES)	
7	3423037	4	Pin, Clevis	
8	4812000	4	Flatwasher M10	
9	4846757	2	Lug, Steer	
10	0100011	AR	Compound, Locking	
13	2110404	2	Fitting, Straight	
		Ref	DRIVE INSTALLATION	
	0275185	Ref	Drive Installation (1930ES) USA Built Machines (SN 0200152825 through 0200161931)	D
	0275185	Ref	Drive Installation (1930ES) Belgium Built Machines (SN 1200008481 through 1200011006)	D
	0275445	Ref	Drive Installation (1930ES) USA Built Machines (SN 0200161932 through 0200170585)	A
	0275445	Ref	Drive Installation (1930ES) Belgium Built Machines (SN 1200011007 through 1200015159)	A
	0275188	Ref	Drive Installation (1930ES) (UL SPEC) USA Built Machines (SN 0200152825 through 0200161931)	E
	0275188	Ref	Drive Installation (1930ES) (UL SPEC) Belgium Built Machines (SN 1200008481 through 1200011006)	E
	0275445	Ref	Drive Installation (1930ES) (UL SPEC) USA Built Machines (SN 0200161932 through 0200170585)	A
	0275445	Ref	Drive Installation (1930ES) (UL SPEC) Belgium Built Machines (SN 1200011007 through 1200015159)	A
	0275186	Ref	Drive Installation (2030ES/2630ES)	C
	0275189	Ref	Drive Installation (2030ES/2630ES) (UL SPEC)	D
	0275187	Ref	Drive Installation (2646ES/3246ES)	C
	0275190	Ref	Drive Installation (2646ES/3246ES) (UL SPEC)	D
102	0630580	20	Bolt, Wheel	
105	2780266	2	Hub Assembly (See Items 201-208 for Breakdown)	
106		Ref	Wheel Drive Assembly Options (See WHEEL DRIVE ASSEMBLY for Breakdown):	
106		Ref	Wheel Drive Assembly (1930ES)	
106	2915236	2	Wheel Drive Assembly (1930ES) USA Built Machines (was p/n 3160306) (SN 0200152825 through 0200161931)	
106	2915236	2	Wheel Drive Assembly (1930ES) Belgium Built Machines (was p/n 3160306) (SN 1200008481 through 1200011006)	
106	1001100974	2	Wheel Drive Assembly (1930ES) USA Built Machines (was p/n 3160337) (SN 0200161932 through 0200170585)	

SECTION 1 - FRAME

ITEM	PART NUMBER	QTY	DESCRIPTION	REV
106	1001100974	2	Wheel Drive Assembly (1930ES) Belgium Built Machines (was p/n 3160337) (SN 1200011007 through 1200015159)	
106	1001100975	2	Wheel Drive Assembly (2030ES/2630ES/2646ES/3246ES) (was p/n 3160307)	
106A	3577112	2	Plate, Spacer (Used only on Machines with Kit p/n2915236 Installed)	
109	3760463	2	Ring, Retaining	
114		Ref	Tire and Wheel Assembly Options:	
		Ref	Note: Must replace Tire and Wheel Assemblies in pairs per axle.	
114	2915012	4	Tire and Wheel Assembly (1930ES) (was p/n 4520326, 4520565, 1001100840 & 1001114467)	
114	2915013	4	Tire and Wheel Assembly (2030ES/2630ES/2646ES/3246ES) (was p/n 4520327, 4520676, 1001100894 & 1001114466)	
115	4740524	2	Thrustwasher M60	
116	4740564	2	Washer, Spindle Retaining	
	2780266	Ref	HUB ASSEMBLY	B
		Ref	Note: Qtys shown for 1 Assembly. Two Assemblies required per machine.	
201	1001102354	1	Cap, Dust (was p/n 7012524)	
202	3300423	1	Nut, Slotted (was p/n 7010641)	
203	3450406	1	Pin, Cotter 2in x 3/16in (was p/n 7010642)	
204	4740468	1	Washer (was p/n 7019697)	
205	1001102351	1	Bearing, Cone - Outer (was p/n 7026185)	
206	Not Available	1	Hub (Purchase Complete Hub p/n 2780266)	
207	1001102353	1	Bearing, Cone - Inner (was p/n 7026183)	
208	1001102349	1	Seal (was p/n 7026184)	
		Ref	FRAME WELDMENTS	
301		Ref	Bushing Options:	
301	0440264	2	Bushing (1930ES)	
301	0440265	2	Bushing (2030ES/2630ES/2646ES/3246ES)	
302		Ref	Kingpin Rework Instruction Options (Provides rework procedure for damaged kingpins):	
302	3128601	AR	Kingpin Rework Instruction (1930ES/2030ES/2630ES)	
302	3128703	AR	Kingpin Rework Instruction (2646ES/3246ES)	

SECTION 1 - FRAME

FIGURE 1-2. STEERING, DRIVE AND REAR AXLE INSTALLATIONS (USA BUILT MACHINES AND BELGIUM BUILT MACHINES) (SN 0200170585 through 0200198014, SN 1200015159 to Present)

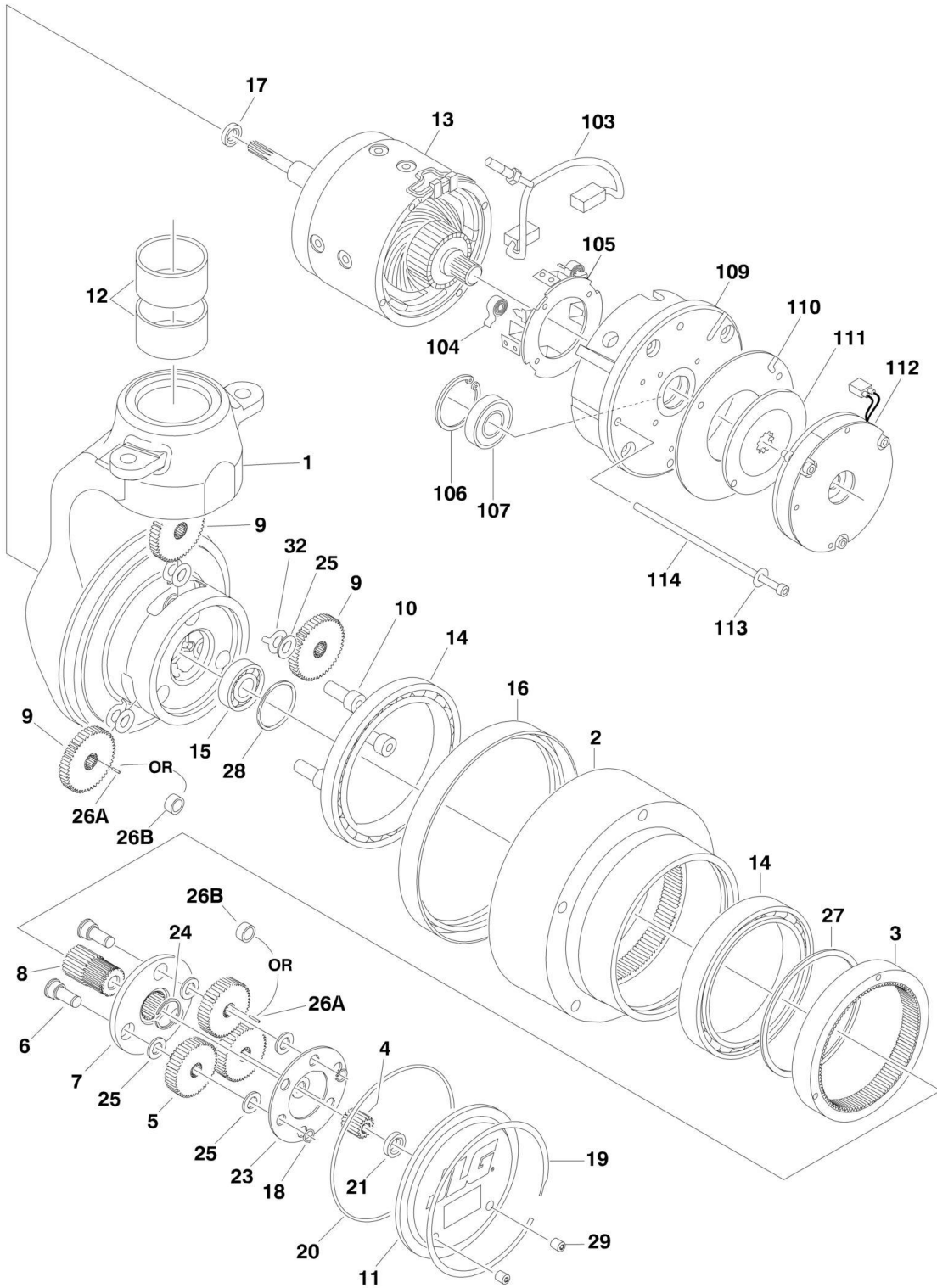
ITEM	PART NUMBER	QTY	DESCRIPTION	REV
		Ref	STEERING INSTALLATION	
	0272371	Ref	Steering Installation (1930ES)	G
	0273227	Ref	Steering Installation (2030ES/2630ES)	D
	0274546	Ref	Steering Installation (2646ES/3246ES)	B
1	0440259	2	Bearing, Flanged	
2		Ref	Bolt M10 Options:	
2	0701016	4	Bolt 40mm Length	
2	0701020	4	Bolt 60mm Length	
3	1380153	4	E-Clip	
4		Ref	Steer Cylinder Assembly (See CYLINDER SECTION for Breakdown):	
4	1684237	1	Steer Cylinder Assembly (1930ES/2030ES/2630ES)	
4	1684456	1	Steer Cylinder Assembly (2646ES/3246ES)	
7	3423037	4	Pin, Clevis	
8	4812000	4	Flatwasher M10	
9	4846757	2	Lug, Steer	
10	0100011	AR	Compound, Locking	
13	2110404	2	Fitting, Straight	
		Ref	DRIVE INSTALLATION	
	1001092739	Ref	Drive Installation (1930ES)	D
	1001092740	Ref	Drive Installation (2030ES/2630ES)	D
	1001092741	Ref	Drive Installation (2646ES/3246ES)	D
101	0630580	20	Bolt, Wheel	
105	2780266	2	Hub Assembly (See Items 201-208 for Breakdown)	
108	3760463	2	Ring, Retaining	
111	4740524	2	Thrustwasher M60	
112	4740564	2	Washer, Spindle Retaining	
117		Ref	Wheel Drive Assembly Options (See WHEEL DRIVE ASSEMBLY for Breakdown):	
117	1001092737	2	Wheel Drive Assembly (1930ES)	
117	1001092738	2	Wheel Drive Assembly (2030ES/2630ES/2646ES/3246ES)	
117	1001092738	2	Wheel Drive Assembly (2646ES/3246ES)	
	2780266	Ref	HUB ASSEMBLY	B
		Ref	Note: Qtys shown for 1 Assembly. Two Assemblies required per machine.	
201	7012524	1	Cap, Dust	
202	7010641	1	Nut, Slotted	
203	7010642	1	Pin, Cotter 2in x 3/16in	
204	7019697	1	Washer	
205	7026185	1	Bearing, Cone - Outer	
206	Not Available	1	Hub (Purchase Complete Hub p/n 2780266)	
207	7026183	1	Bearing, Cone - Inner	
208	7026184	1	Seal	
		Ref	FRAME WELDMENT	
301		Ref	Bushing Options:	
301	0440264	2	Bushing (1930ES)	
301	0440265	2	Bushing (2030ES/2630ES/2646ES/3246ES)	
302		Ref	Kingpin Rework Instruction Options (Provides rework procedure for damaged kingpins):	
302	3128601	AR	Kingpin Rework Instruction (1930ES/2030ES/2630ES)	

SECTION 1 - FRAME

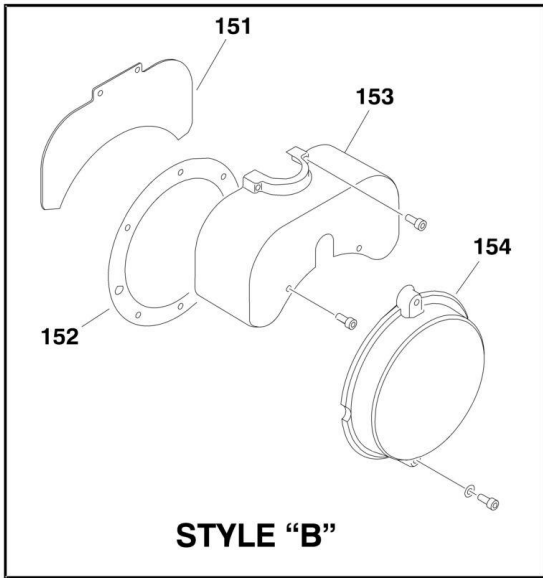
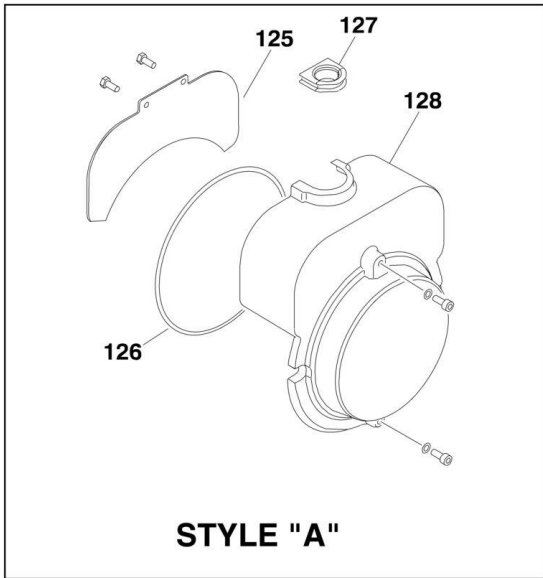
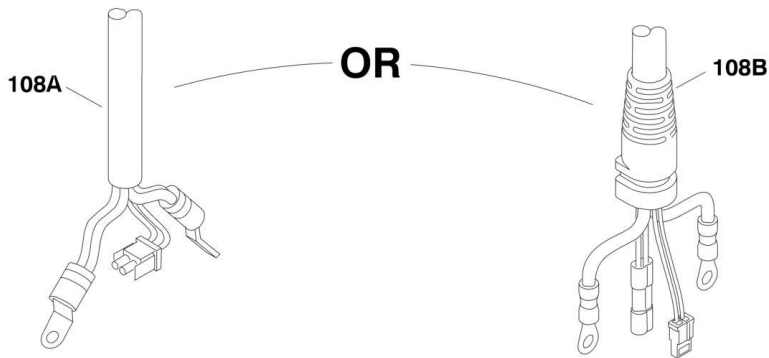
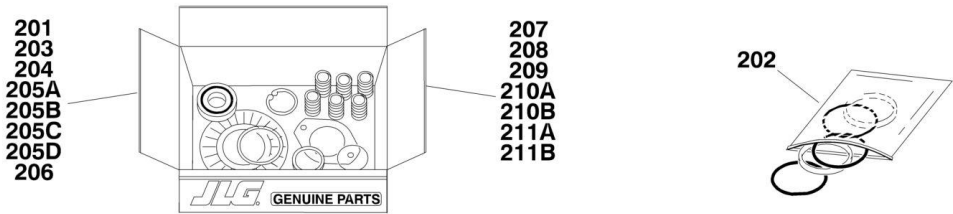
ITEM	PART NUMBER	QTY	DESCRIPTION	REV
302	3128703	AR	Kingpin Rework Instruction (2646ES/3246ES)	
		Ref	TIRE AND WHEEL INSTALLATION	
	1001092739	Ref	Tire and Wheel Installation (1930ES) USA Built Machines (SN 0200152825 through 0200195327)	D
	1001092739	Ref	Tire and Wheel Installation (1930ES) Belgium Built Machines (SN 1200008481 through 1200022483)	D
	0010588	Ref	Tire and Wheel Installation (1930ES) USA Built Machines (SN 0200195328 through 0200198014)	83
	0010588	Ref	Tire and Wheel Installation (1930ES) Belgium Built Machines (SN 1200022484 to Present)	83
	1001092740	Ref	Tire and Wheel Installation (2030ES/2630ES) USA Built Machines (SN 0200152825 through 0200195327)	D
	1001092740	Ref	Tire and Wheel Installation (2030ES/2630ES) Belgium Built Machines (SN 1200008481 through 1200022483)	D
	0010588	Ref	Tire and Wheel Installation (2030ES/2630ES) USA Built Machines (SN 0200195328 through 0200198014)	83
	0010588	Ref	Tire and Wheel Installation (2030ES/2630ES) Belgium Built Machines (SN 1200022484 to Present)	83
	1001092741	Ref	Tire and Wheel Installation (2646ES/3246ES) USA Built Machines (SN 0200152825 through 0200195327)	D
	1001092741	Ref	Tire and Wheel Installation (2646ES/3246ES) Belgium Built Machines (SN 1200008481 through 1200022483)	D
	0010588	Ref	Tire and Wheel Installation (2646ES/3246ES) USA Built Machines (SN 0200195328 through 0200198014)	83
	0010588	Ref	Tire and Wheel Installation (2646ES/3246ES) Belgium Built Machines (SN 1200022484 to Present)	83
401		Ref	Tire and Wheel Assembly Options:	
		Ref	Note: Must replace Tire and Wheel Assy's in pairs per axle.	
401	2915012	4	Tire and Wheel Assembly (1930ES) (was p/n 4520565, 1001100840 & 1001114467)	
401	2915013	4	Tire and Wheel Assembly (2030ES/2630ES/2646ES/3246ES) (was p/n 4520676, 1001100894 & 1001114466)	

SECTION 1 - FRAME

FIGURE 1-3. WHEEL DRIVE ASSEMBLY



SECTION 1 - FRAME



SECTION 1 - FRAME

FIGURE 1-3. WHEEL DRIVE ASSEMBLY

ITEM	PART NUMBER	QTY	DESCRIPTION	REV
		Ref	WHEEL DRIVE ASSEMBLY (ADVANCED)	
		Ref	Wheel Drive Assembly (1930ES)	
	3160306	Ref	USA Built Machines (SN 0200152825 through 0200161931)	E
	3160306	Ref	Belgium Built Machines (SN 1200008481 through 1200011006)	E
	3160337	Ref	USA Built Machines (SN 0200161932 through 0200170584)	A
	3160337	Ref	Belgium Built Machines (SN 1200011007 through 1200015158)	A
	1001092737	Ref	USA Built Machines (SN 0200170585 through 0200198014)	F
	1001092737	Ref	Belgium Built Machines (SN 1200015159 to Present)	F
		Ref	Wheel Drive Assembly (2030ES/2630ES)	
	3160307	Ref	USA Built Machines (SN 0200152825 through 0200170584)	E
	3160307	Ref	Belgium Built Machines (SN 1200008481 through 1200015158)	E
	1001092738	Ref	USA Built Machines (SN 0200170585 through 0200198014)	G
	1001092738	Ref	Belgium Built Machines (SN 1200015159 to Present)	G
		Ref	Wheel Drive Assembly (2646ES/3246ES)	
	3160307	Ref	USA Built Machines (SN 0200152825 through 0200170584)	E
	3160307	Ref	Belgium Built Machines (SN 1200008481 through 1200015158)	E
	1001092738	Ref	USA Built Machines (SN 0200170585 through 0200198014)	G
	1001092738	Ref	Belgium Built Machines (SN 1200015159 to Present)	G
		Ref	Note: Due to service updates, drive motors may use any of the various parts listed below. Visual identification will be required.	
		Ref	HUB ASSEMBLY	
1	Not Available	1	Spindle	
2	Item 206	1	Hub	
3	Item 204	1	Ring, Input	
4	Item 203	1	Gear, Input Sun	
5	Item 203	3	Gear, Input Planet	
6	Item 203	3	Pin, Planet Gear	
7	Item 203	1	Carrier	
8	Item 203	1	Gear, Output Sun	
9	Item 207	3	Gear, Output Planet	
10	Item 207	3	Pin, Output Planet	
11	Item 201	1	Cover	
12	7024757	1	Bushing Kit, Kingpin (Includes 2 Bushings)	
13	See Note	1	Motor, Electric (Note: Use item 205A, 205B, 205C or 205D)	
14	See Note	2	Bearing, Main (Note: Use Item 202, 204, 206 or 207)	
15	Item 207	1	Bearing, Shaft	
16	70001739	1	Seal, Lip	
17	7024786	1	Seal, Lip	
18	Item 203	3	Ring, Retaining	
19	Item 201	1	Ring, Retaining	
20	70000191	1	O-Ring	
21	Item 201	1	Thrustwasher	
23	Item 203	1	Plate, Thrust	
24	Item 203	1	Ring, Retaining	
25	See Note	9	Thrustwasher (Note: Use Item 203 or 207)	
26	See Note	Ref	Bearing/Bushing Options (Note: Use Item 203 or 207):	

SECTION 1 - FRAME

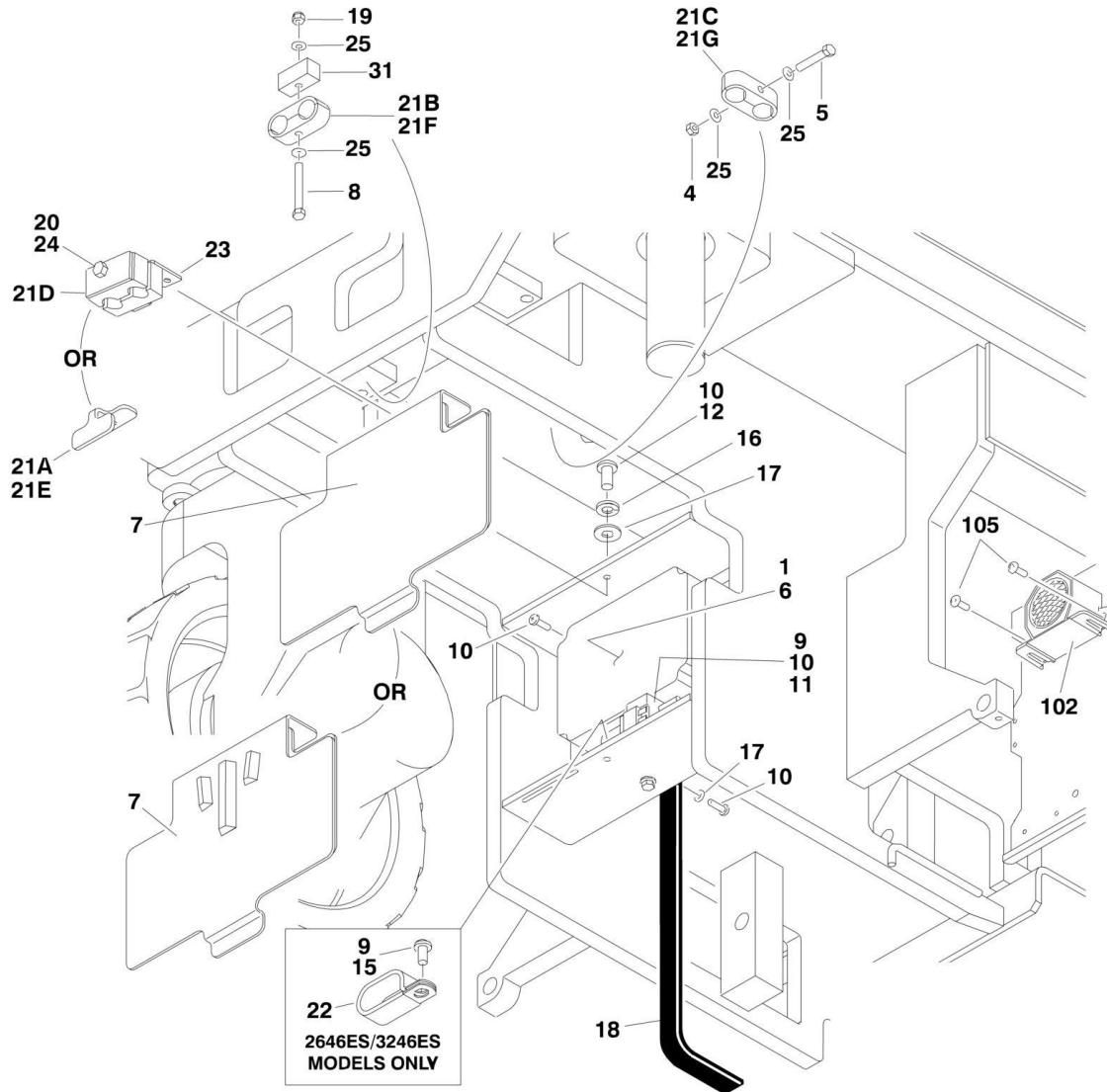
ITEM	PART NUMBER	QTY	DESCRIPTION	REV
26A	See Note	66	Bearing, Needle	
26B	See Note	6	Bushing	
27	See Note	1	Ring, Retaining (Note: Use Item 204, 206 or 207)	
28	Item 207	1	Ring, Retaining	
29	Item 201	2	Plug	
32	Item 207	3	Washer, Tanged	
		Ref	BRAKE AND MOTOR COMPONENTS	
103	Item 208	1	Brush and Terminal Assembly	
104	70000790	2	Spring, Brush	
105	70000791	1	Box, Brush	
106	Item 208	1	Ring, Retaining	
107	Item 208	1	Bearing	
108		Ref	Harness, Electrical Cable Options:	
108A	1001099628	1	Harness, Electrical Cable 1930ES (was p/n 7024770)	
108A	1001099676	1	Harness, Electrical Cable 2030ES/2630ES/2646ES/3246ES (was p/n 7024770 & 7024775)	
108B	1001091502	1	Harness, Electrical Cable 1930ES	
108B	1001134012	1	Harness, Electrical Cable 2030ES/2630ES/2646ES/3246ES (was p/n 1001091843)	
109	70000792	1	Commutator	
110	Item 209	1	Disc, Reaction	
111	7024785	1	Disc, Friction	
112	Item 209	1	Brake Assembly	
113	See Note	2	Flatwasher (Note: Use Item 210A or 210B)	
114	See Note	2	Bolt (Note: Use Item 210A or 210B)	
		Ref	Style "A" Brake Cover	
125	See Note	1	Plate, Cover (Note: Use Item 211A or 211B)	
126	See Note	1	O-Ring (Note: Use Item 210A, 210B, 211A or 211B)	
127	70000383	1	Connector, Strain Relief	
128	See Note	1	Cover (Note: Use Item 211A or 211B)	
		Ref	Style "B" Brake Cover	
151	See Note	1	Plate, Cover (Note: Use Item 211A or 211B)	
152	70001949	1	Gasket, Cover	
153	See Note	1	Cover, Top (Note: Use Item 211A or 211B)	
154	See Note	1	Cover, End (Note: Use Item 211A or 211B)	
		Ref	KIT OPTIONS	
201	7024747	1	Cover Kit (Includes Items 11, 19, 20, 21 & 29)	
202	7024748	1	Main Seal Kit (Includes Qty 1 of Items 14,16 & 20)	
203	7024749	1	Input Carrier Kit (Includes Items 4-8, 18, 20 & 23-26)	
204	7024758	1	Input Ring Kit (Includes Item 3, 20, 27 & Qty 1 of Item 14)	
205		Ref	Motor Kit Options (Includes Items 13, 17, 103-114 & 151-154):	
205		Ref	Motors with Item #108A Style Electrical Cable	
205A	1001100819	1	Motors 1930ES (was p/n 7024774)	
205B	1001100820	1	Motor 2030ES/2630ES/2646ES/3246ES (was p/n 7024777)	
205		Ref	Motors with Item #108B Style Electrical Cable	
205C	70001263	1	Motor 1930ES	
205D	70001345	1	Motor 2030ES/2630ES/2646ES/3246ES	
206	7024756	1	Hub Kit (Includes Items 2, 16, 20, 27 & Qty 1 of Item 14)	
207	7024750	1	Output Planet Kit (Includes Items 9, 10, 15, 20, 25-28, 32 & Qty 1 of Item 14)	
208	7024771	1	Motor Brush and Bearing Kit (Includes Items 103, 106 & 107)	
209	7024772	1	Brake Kit (Includes Items 110, 111 & 112)	

SECTION 1 - FRAME

ITEM	PART NUMBER	QTY	DESCRIPTION	REV
210		Ref	Motor Hardware Kit (Includes 113 & 114)	
210A	7024773	1	Motor 1930ES	
210B	7024776	1	Motor 2030ES/2630ES/2646ES/3246ES	
211		Ref	Brake Cover Kit Options:	
211A	7024787	1	Brake Cover Kit Style "A" (Includes Items 125 - 128)	
211B	70001265	1	Brake Cover Kit Style "B" (Includes Items 151 - 154)	

SECTION 1 - FRAME

FIGURE 1-4. DRIVE MODULE AND OTHER FRAME MOUNTED COMPONENTS



SECTION 1 - FRAME

FIGURE 1-4. DRIVE MODULE AND OTHER FRAME MOUNTED COMPONENTS

ITEM	PART NUMBER	QTY	DESCRIPTION	REV
		Ref	DRIVE MODULE INSTALLATION	
		Ref	Drive Module Installation (1930ES):	
		Ref	All except UL Spec	
	0275185	Ref	USA Built Machines (SN 0200152825 through 0200161930)	D
	0275185	Ref	Belgium Built Machines (SN 1200008481 through 1200011006)	D
	0275445	Ref	USA Built Machines (SN 0200161931 through 0200170584)	A
	0275445	Ref	Belgium Built Machines (SN 1200011007 through 1200015158)	A
	1001092739	Ref	USA Built Machines (SN 0200170585 through 0200198014)	D
	1001092739	Ref	Belgium Built Machines (SN 1200015159 to Present)	D
		Ref	UL Spec	
	0275188	Ref	USA Built Machines (SN 0200152825 through 0200161930)	E
	0275188	Ref	Belgium Built Machines (SN 1200008481 through 1200011006)	E
	0275445	Ref	USA Built Machines (SN 0200161931 through 0200170584)	A
	0275445	Ref	Belgium Built Machines (SN 1200011007 through 1200015158)	A
	1001092739	Ref	USA Built Machines (SN 0200170585 through 0200198014)	D
	1001092739	Ref	Belgium Built Machines (SN 1200015159 to Present)	D
		Ref	Drive Module Installation (2030ES/2630ES):	
		Ref	All except UL Spec	
	0275186	Ref	USA Built Machines (SN 0200152825 through 0200170584)	C
	0275186	Ref	Belgium Built Machines (SN 1200008481 through 1200015158)	C
	1001092740	Ref	USA Built Machines (SN 0200170585 through 0200198014)	D
	1001092740	Ref	Belgium Built Machines (SN 1200015159 to Present)	D
		Ref	UL Spec	
	0275189	Ref	USA Built Machines (SN 0200152825 through 0200170584)	D
	0275189	Ref	Belgium Built Machines (SN 1200008481 through 1200015158)	D
	1001092740	Ref	USA Built Machines (SN 0200170585 through 0200198014)	D
	1001092740	Ref	Belgium Built Machines (SN 1200015159 to Present)	D
		Ref	Drive Module Installation (2646ES/3246ES):	
		Ref	All except UL Spec	
	0275187	Ref	USA Built Machines (SN 0200152825 through 0200170584)	C
	0275187	Ref	Belgium Built Machines (SN 1200008481 through 1200015158)	C
	1001092741	Ref	USA Built Machines (SN 0200170585 through 0200198014)	D
	1001092741	Ref	Belgium Built Machines (SN 1200015159 to Present)	D
		Ref	UL Spec	
	0275190	Ref	USA Built Machines (SN 0200152825 through 0200170584)	D
	0275190	Ref	Belgium Built Machines (SN 1200008481 through 1200015158)	D
	1001092741	Ref	USA Built Machines (SN 0200170585 through 0200198014)	D
	1001092741	Ref	Belgium Built Machines (SN 1200015159 to Present)	D
1	0100083	AR	Grease, Heat Transfer	
4	3290605	AR	Locknut M6	
5	0700619	AR	Bolt M6 x 55mm	
6	1600346	1	Module, Drive	
7		Ref	Cover Options:	

SECTION 1 - FRAME

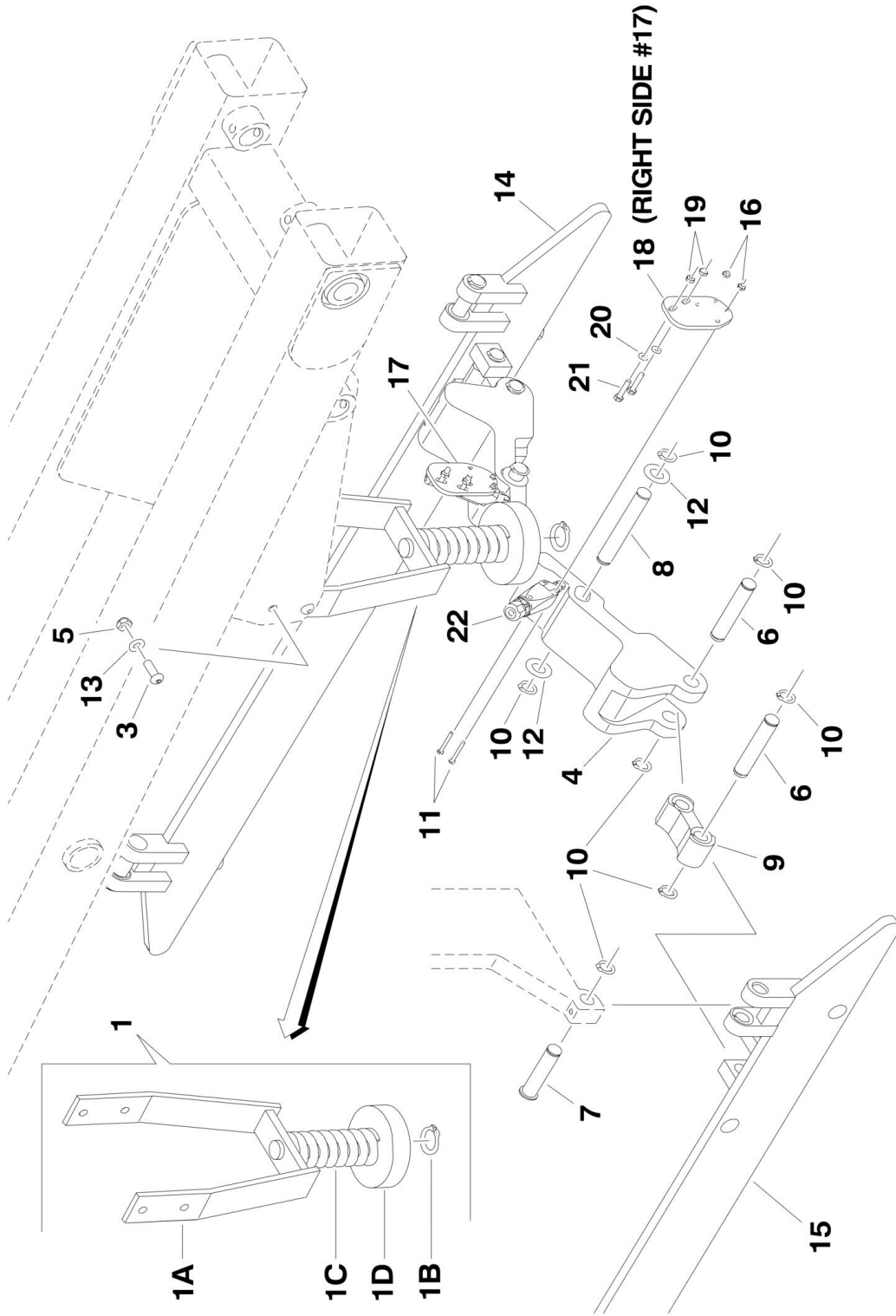
ITEM	PART NUMBER	QTY	DESCRIPTION	REV
7		Ref	Cover (1930ES)	
7	1671132	Ref	Cover All except UL Spec	
7		Ref	Cover UL Spec Options:	
7	1671181	Ref	Cover USA Built Machines (SN 0200152825 through 0200161930)	
	1671181	Ref	Cover Belgium Built Machines (SN 1200008481 through 1200011006)	
7	1671132	Ref	Cover USA Built Machines (SN 0200161931 through 0200198014)	
	1671132	Ref	Cover Belgium Built Machines (SN 1200011007 to Present)	
7		Ref	Cover (2030ES/2630ES)	
7	1671132	Ref	Cover All except UL Spec	
7		Ref	Cover UL Spec	
7	1671181	Ref	Cover USA Built Machines (SN 0200152825 through 0200170584)	
	1671181	Ref	Cover Belgium Built Machines (SN 1200008481 through 1200011006)	
7	1671132	Ref	Cover USA Built Machines (SN 0200170585 through 0200198014)	
	1671132	Ref	Cover Belgium Built Machines (SN 1200011007 to Present)	
7		Ref	Cover (2646ES/3246ES)	
7	1671133	Ref	Cover All except UL Spec	
7		Ref	Cover UL Spec	
7	1671182	Ref	Cover USA Built Machines (SN 0200152825 through 0200170584)	
	1671182	Ref	Cover Belgium Built Machines (SN 1200008481 through 1200015158)	
7	1671133	Ref	Cover USA Built Machines (SN 0200170585 through 0200198014)	
	1671133	Ref	Cover Belgium Built Machines (SN 1200015159 to Present)	
8	0700624	AR	Bolt M6 x 80mm	
9	4191706	AR	Bolt M6 x 12mm	
10	4191708	AR	Bolt M6 x 20mm	
11		Ref	Relay Options:	
11	3740150	1	All except UL Spec	
11		Ref	UL Spec	
11	2915064	1	USA Built Machines (was p/n 3740146) (SN 0200152825 through 0200161930)	
11	2915064	1	Belgium Built Machines (was p/n 3740146) (SN 1200008481 through 1200010662)	
11	0903098	1	Mounting Bracket Used on 3740146	
11	3740150	1	USA Built Machines (SN 0200161931 through 0200198014)	
11	3740150	1	Belgium Built Machines (SN 1200010663 to Present)	
		Ref	Note: Relay p/n 3740146 Albright or Curtis brand has 4 terminals and no lead wires.	
		Ref	Note: Relay p/n 3740150 is Trombetta brand has 2 terminals and 1 lead wire.	
12	4191709	AR	Bolt M6 x 25mm	
15	4191707	AR	Bolt M6 x 16mm	
16	4831700	AR	Lockwasher M6	
17	4751400	AR	Flatwasher 1/4in Wide	
18	4240147	1	Strap, Anti-Static	
19	3290606	AR	Locknut M6	
20	0700819	AR	Bolt M8 x 55mm	

SECTION 1 - FRAME

ITEM	PART NUMBER	QTY	DESCRIPTION	REV
21		Ref	Clamp, Cable Options:	
		Ref	Note: Due to service updates, cable clamps may be any of the various designs listed below. Visual identification will be required.	
21		Ref	All except UL Spec	
21A	3574714	1	Clamp (Available on All Models)	
21B	1001091492	1	Clamp (Available on 1930ES)	
21C	1001094301	2	Clamp (Available on 2030ES/2630ES/2646ES/3246ES)	
21		Ref	UL Spec	
21D	1320162	1	Clamp (Available on All Models)	
21E	3574714	1	Clamp (Available on 1930ES)	
21F	1001091492	1	Clamp (Available on 1930ES)	
21G	1001094301	2	Clamp (Available on 2030ES/2630ES/2646ES/3246ES)	
22	1321283	1	Clamp, Hose (2646ES/3246ES Only - USA Built Machines) (SN 0200158825 through 0200170585)	
22	1321283	1	Clamp, Hose (2646ES/3246ES Only - Belgium Built Machines) (SN 1200008481 through 1200015159)	
23	4340751	AR	Mount, Cable Clamp (UL Spec Only)	
24	4811900	AR	Flatwasher M8	
25	4811700	AR	Flatwasher M6	
30	4923602	1	Harness, Field Wire Connection (Not Shown - See ELECTRICAL SECTION for Breakdown) (USA Built Machines) (SN 0200156117 through 0200198014)	
30	4923602	1	Harness, Field Wire Connection (Not Shown - See ELECTRICAL SECTION for Breakdown) (Belgium Built Machines) (SN 1200008263 to Present)	
31	1001094124	AR	Block, Spacer (1930ES With Service Upgrade Only)	
		Ref	ALARM INSTALLATIONS	
	0272810	Ref	ANSI and ANSI Export and UL Specs (USA and Belgium Built Machines)	F
	0273966	Ref	ANSI Export and Japanese Specs (USA and Belgium Built Machines)	C
	0273443	Ref	Australian Specs without Overload (USA and Belgium Built Machines)	D
	0272811	Ref	Australian and CE Specs with Overload (USA and Belgium Built Machines)	F
	0272722	Ref	Descent Alarm	A
	0272913	Ref	Motion Alarm	A
102	0140043	1	Alarm	
105	4191706	2	Screw M6 x 12mm	

SECTION 1 - FRAME

FIGURE 1-5. POTHOLE PROTECTION INSTALLATION (1930ES/2030ES/2630ES)



SECTION 1 - FRAME

FIGURE 1-5. POTHOLE PROTECTION INSTALLATION (1930ES/2030ES/2630ES)

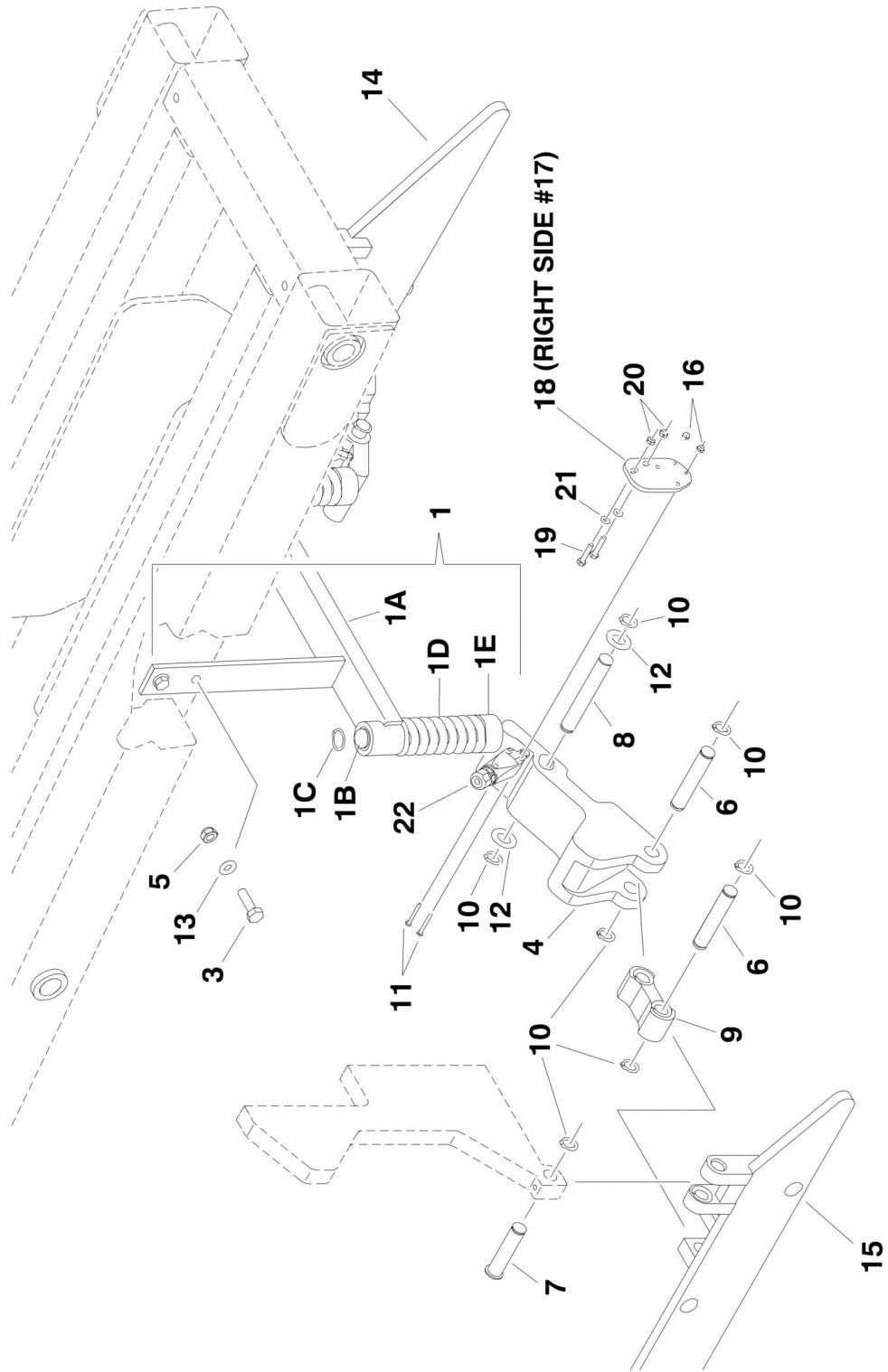
ITEM	PART NUMBER	QTY	DESCRIPTION	REV
		Ref	POTHOLE PROTECTION INSTALLATION	
	0275092	Ref	Pothole Protection Installation (1930ES)	D
	0275093	Ref	Pothole Protection Installation (2030ES/2630ES)	D
1	Purchase Individual Pieces	1	Actuator Assembly (Was p/n 0060090)	A
1A	0060091	1	Actuator Weldment	
1B	3760115	1	Ring, Retaining	
1C	4160202	1	Spring	
1D	4220287	1	Pad	
3	3900351	4	Screw, Button Head M10 x 30mm	
4	3010158	2	Link	
5	3291005	4	Locknut M10	
6	3423045	4	Pin	
7	3423189	4	Pin	
8	3423267	2	Pin	
9	3574176	2	Link	
9	0440263	4	Bushing	
10	3760348	16	Ring, Retaining	
11		Ref	Screw Options:	
11	4010415	4	Screw M4 x 35mm	
11	4031512	4	Screw M4 x 40mm	
12	4740086	4	Thrustwasher	
13	4812000	4	Flatwasher M10	
14		Ref	Bar, Pothole Support (Right)	
14	4846775	1	Bar, Pothole Support (Right) (1930ES) (Not Shown)	
14	4846816	1	Bar, Pothole Support (Right) (2030ES/2630ES)	
14	0440263	4	Bushing	
15		Ref	Bar, Pothole Support (Left)	
15	4846861	1	Bar, Pothole Support (Left) (1930ES) (Not Shown)	
15	4846863	1	Bar, Pothole Support (Left) (2030ES/2630ES)	
15	0440263	4	Bushing	
16	3290405	4	Locknut M4	
17		Ref	Plate, Attach (Right) Options:	
17	Not Required	0	Plate, Attach (Right) USA Built Machines (SN 0200152825 through 0200159658)	
17	Not Required	0	Plate, Attach (Right) Belgium Built Machines (SN 12000008481 through 1200009513)	
17	3577029	1	Plate, Attach (Right) USA Built Machines (SN 0200159659 through 2000195917)	
17	3577029	1	Plate, Attach (Right) Belgium Built Machines (SN 1200009514 through 1200022846)	
17	1001109232	1	Plate, Attach (Right) USA Built Machines (SN 2000195918 through 0200198014)	
17	1001109232	1	Plate, Attach (Right) Belgium Built Machines (SN 1200022847 to Present)	
18		Ref	Plate, Attach (Left) Options:	
18	Not Required	0	Plate, Attach (Left) USA Built Machines (SN 0200152825 through 0200159658)	
18	Not Required	0	Plate, Attach (Left) Belgium Built Machines (SN 12000008481 through 1200009513)	
18	3577030	1	Plate, Attach (Left) USA Built Machines (SN 0200159659 through 2000195917)	

SECTION 1 - FRAME

ITEM	PART NUMBER	QTY	DESCRIPTION	REV
18	3577030	1	Plate, Attach (Left) Belgium Built Machines (SN 1200009514 through 1200022846)	
18	1001109233	1	Plate, Attach (Left) USA Built Machines (SN 2000195918 through 0200198014)	
18	1001109233	1	Plate, Attach (Left) Belgium Built Machines (SN 1200022847 to Present)	
19	3290605	4	Locknut M6	
20	4811700	4	Flatwasher M6	
21	0700614	4	Screw M6 x 30mm	
22		Ref	Switch, Limit Options:	
22	1001109345	2	Switch, Limit USA Built Machines (was p/n 4360633) (SN 0200152825 through 2000195917)	
22	1001109345	2	Switch, Limit Belgium Built Machines (was p/n 4360633) (SN 1200008481 through 1200022846)	
22	1001109088	2	Switch, Limit USA Built Machines (SN 2000195918 through 0200198014)	
22	1001109088	2	Switch, Limit Belgium Built Machines (SN 1200022847 to Present)	

SECTION 1 - FRAME

FIGURE 1-6. POTHOLE PROTECTION INSTALLATION (2646ES/3246ES)



SECTION 1 - FRAME

FIGURE 1-6. POTHOLE PROTECTION INSTALLATION (2646ES/3246ES)

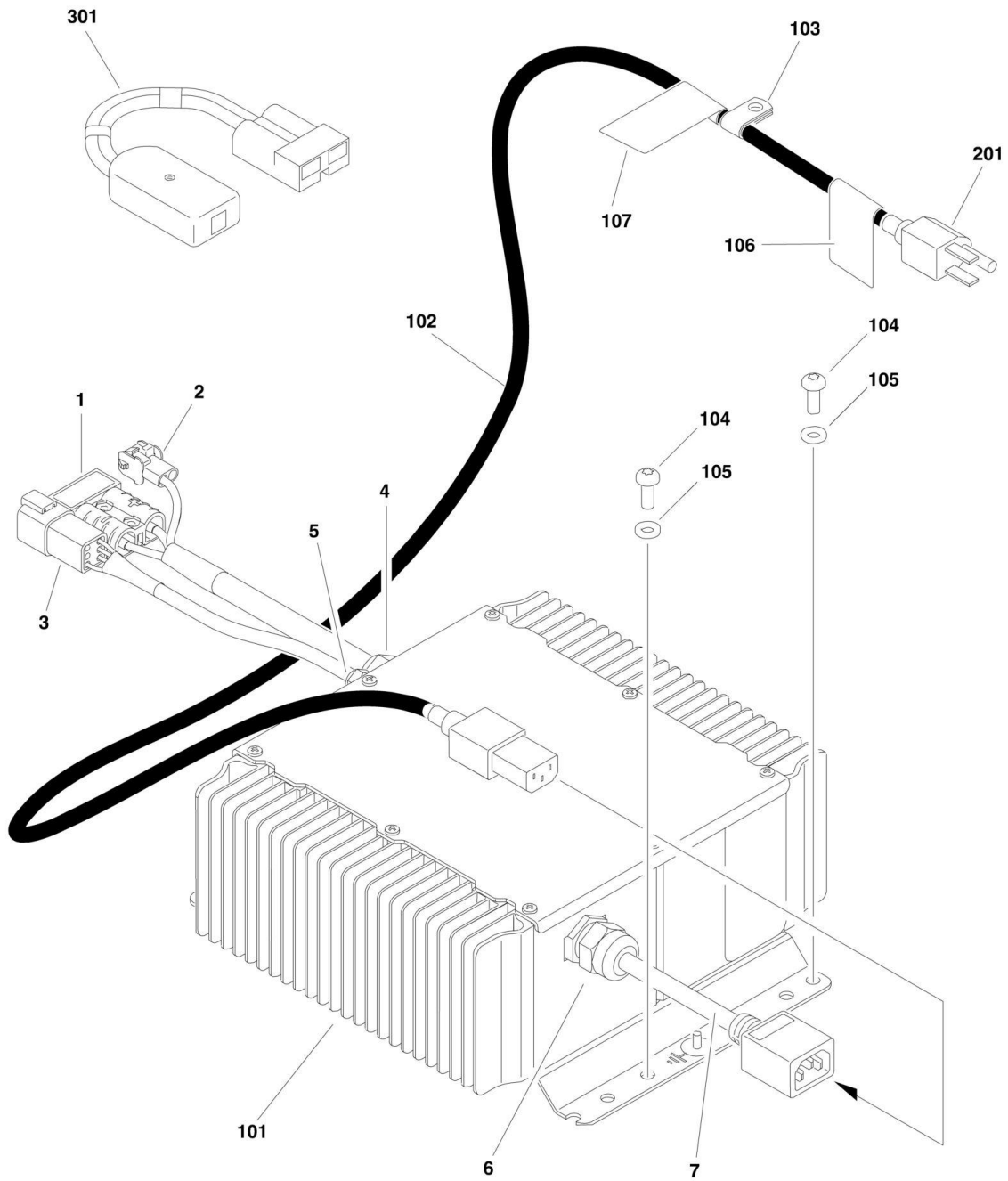
ITEM	PART NUMBER	QTY	DESCRIPTION	REV
	0275094	Ref	POTHOLE PROTECTION INSTALLATION	D
1	Purchase Individual Pieces	1	Actuator Assembly (Was p/n 0060092)	B
1A	0060093	1	Actuator	
1B	0962292	4	Bushing, Garmax	
1B	3423289	2	Pin	
1C	3760115	2	Ring, Retaining	
1D	4160202	2	Spring	
1E	4220293	2	Pad	
3	0701015	4	Screw M10 x 35mm	
4	3010158	2	Link	
5	3291005	4	Locknut M10	
6	3423045	4	Pin	
7	3423189	4	Pin	
8	3423267	2	Pin	
9	3574176	2	Link	
9	0440263	4	Bushing	
10	3760348	16	Ring, Retaining	
11		Ref	Screw Options:	
11	4010415	4	Screw M4 x 35mm	
11	4031512	4	Screw M4 x 40mm	
12	4740086	4	Thrustwasher	
13	4812000	4	Flatwasher M10	
14	4846811	1	Bar, Pothole Support (Right)	
14	0440263	4	Bushing	
15	4846862	1	Bar, Pothole Support (Left)	
15	0440263	4	Bushing	
16	3290405	4	Locknut M4	
17		Ref	Plate, Attach (Right) Options:	
17	Not Required	0	Plate, Attach (Right) USA Built Machines (SN 0200152825 through 0200159658)	
17	Not Required	0	Plate, Attach (Right) Belgium Built Machines (SN 12000008481 through 1200009513)	
17	3577029	1	Plate, Attach (Right) USA Built Machines (SN 0200159659 through 2000195917)	
17	3577029	1	Plate, Attach (Right) Belgium Built Machines (SN 1200009514 through 1200022846)	
17	1001109232	1	Plate, Attach (Right) USA Built Machines (SN 2000195918 through 0200198014)	
17	1001109232	1	Plate, Attach (Right) Belgium Built Machines (SN 1200022847 to Present)	
18		Ref	Plate, Attach (Left) Options:	
18	Not Required	0	Plate, Attach (Left) USA Built Machines (SN 0200152825 through 0200159658)	
18	Not Required	0	Plate, Attach (Left) Belgium Built Machines (SN 12000008481 through 1200009513)	
18	3577030	1	Plate, Attach (Left) USA Built Machines (SN 0200159659 through 2000195917)	
18	3577030	1	Plate, Attach (Left) Belgium Built Machines (SN 1200009514 through 1200022846)	
18	1001109233	1	Plate, Attach (Left) USA Built Machines (SN 2000195918 through 0200198014)	

SECTION 1 - FRAME

ITEM	PART NUMBER	QTY	DESCRIPTION	REV
18	1001109233	1	Plate, Attach (Left) Belgium Built Machines (SN 1200022847 to Present)	
19	0700614	4	Screw M6 x 30mm	
20	3290605	4	Locknut M6	
21	4811700	4	Flatwasher M6	
22		Ref	Switch, Limit Options:	
22	1001109345	2	Switch, Limit USA Built Machines (was p/n 4360633) (SN 0200152825 through 2000195917)	
22	1001109345	2	Switch, Limit Belgium Built Machines (was p/n 4360633) (SN 12000008481 through 1200022846)	
22	1001109088	2	Switch, Limit USA Built Machines (SN 2000195918 through 0200198014)	
22	1001109088	2	Switch, Limit Belgium Built Machines (SN 1200022847 to Present)	

SECTION 1 - FRAME

FIGURE 1-7. BATTERY CHARGER ASSEMBLY AND INSTALLATION (DELTA-Q CHARGER)



SECTION 1 - FRAME

FIGURE 1-7. BATTERY CHARGER ASSEMBLY AND INSTALLATION (DELTA-Q CHARGER)

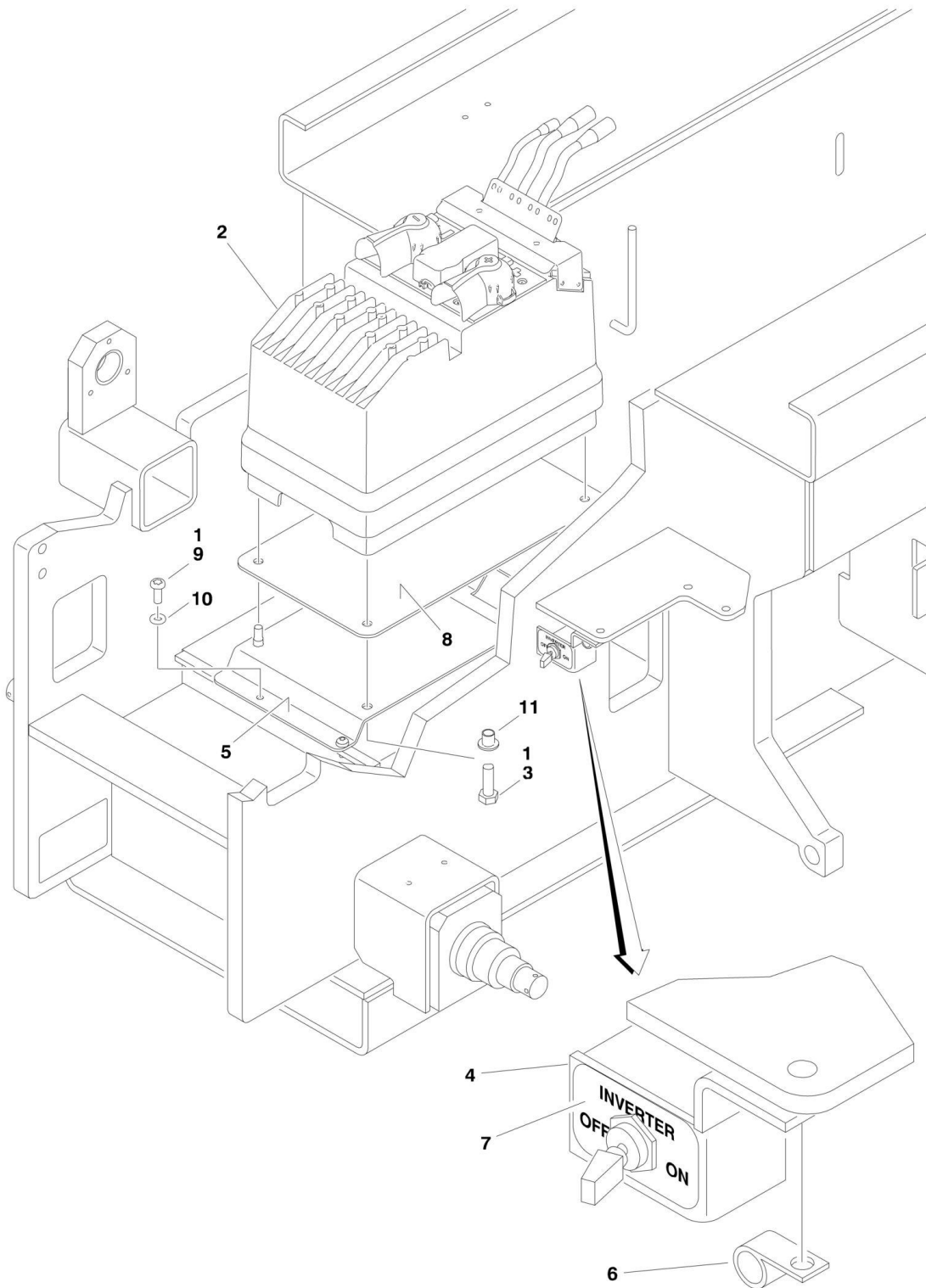
ITEM	PART NUMBER	QTY	DESCRIPTION	REV
		Ref	BATTERY CHARGER ASSEMBLY	
	1001128737	Ref	USA Built Machines (was p/n 0400238) (SN 0200152825 through 0200197382)	G
	1001128737	Ref	Belgium Built Machines (was p/n 0400238) (SN 1200008481 through 1200024210)	G
	1001112111	Ref	USA Built Machines (SN 0200197383 through 0200198014)	E
	1001112111	Ref	Belgium Built Machines (SN 1200024211 to Present)	E
1	Not Available	1	Harness with Plug	
1	4460648	1	Plug, Anderson Battery Cable	
2	Not Available	1	Harness with Connector	
2	4460424	1	Connector, Female - 2 Position	
2	4460227	2	Pin, Male	
3	Not Available	1	Harness with Connector	
3	4460899	1	Connector, Female - 6 Position	
3	4460464	6	Pin, Male	
4	Not Available	1	Connector, Strain Relief	
5	Not Available	1	Connector, Strain Relief	
6	Not Available	1	Connector, Strain Relief	
7	Not Available	1	Harness with Connector	
		Ref	BATTERY CHARGER INSTALLATION	
		Ref	Battery Charger Installation (1930ES):	
	0275079	Ref	AC Cable Has Factory Supplied Plug	E
	0275088	Ref	AC Cable Has Locally Supplied Plug	E
	0275088	Ref	AC Cable Has Locally Supplied Plug (Australian Spec - USA Built Machines) (SN 0200152825 through 0200194583)	H
	0275088	Ref	AC Cable Has Locally Supplied Plug (Australian Spec - Belgium Built Machines) (SN 1200008481 through 1200022172)	H
	1001113574	Ref	AC Cable Has Locally Supplied Plug (Australian Spec - USA Built Machines) (SN 0200194584 through 0200198014)	C
	1001113574	Ref	AC Cable Has Locally Supplied Plug (Australian Spec - Belgium Built Machines) (SN 1200022173 to Present)	C
		Ref	Battery Charger Installation 2030ES/2630ES/2646ES/3246ES:	
	0272874	Ref	AC Cable Has Factory Supplied Plug	K
	0272875	Ref	AC Cable Has Locally Supplied Plug	K
	0272875	Ref	AC Cable Has Locally Supplied Plug (Australian Spec - USA Built Machines) (SN 0200152825 through 0200194583)	K
	0272875	Ref	AC Cable Has Locally Supplied Plug (Australian Spec - Belgium Built Machines) (SN 1200008481 through 1200022172)	K
	1001113576	Ref	AC Cable Has Locally Supplied Plug (Australian Spec - USA Built Machines) (SN 0200194584 through 0200198014)	C
	1001113576	Ref	AC Cable Has Locally Supplied Plug (Australian Spec - Belgium Built Machines) (SN 1200022173 to Present)	C
101		Ref	Battery Charger Assembly (See Items 1-7 for Breakdown):	
101	1001128737	1	Battery Charger Assembly USA Built Machines (was p/n 0400238 - Kit p/n 1001128737 includes Charger and Battery Temperature Sensor Kit) (SN 0200152825 through 0200197382)	
101	1001128737	1	Battery Charger Assembly Belgium Built Machines (was p/n 0400238 - Kit p/n 1001128737 includes Charger and Battery Temperature Sensor Kit) (SN 1200008481 through 1200024210)	

SECTION 1 - FRAME

ITEM	PART NUMBER	QTY	DESCRIPTION	REV
101	1001112111	1	Battery Charger Assembly USA Built Machines (SN 0200197383 through 0200198014)	
101	1001112111	1	Battery Charger Assembly Belgium Built Machines (SN 1200024211 to Present)	
102		Ref	Cable, AC Options:	
102	1060688	1	Cable, AC Factory Supplied Plug (Black)	
102	1001103257	1	Cable, AC Factory Supplied Plug (Orange)	
102	1060689	1	Cable, AC Locally Supplied Plug (Black)	
102	1001103258	1	Cable, AC Locally Supplied Plug (Orange)	
103		Ref	Clamp Options:	
103	1320136	1	Clamp Insulated Clamp	
103	1321293	1	Clamp Non-Insulated Clamp	
104		Ref	Screw M6 Options:	
104	4191706	2	Screw 12mm Length	
104	4191707	2	Screw 16mm Length	
105	4811700	2	Flatwasher M6	
106	1001102258	1	Decal - AC Label (Australian Spec - USA Built Machines) (SN 0200190526 through 0200198014)	
106	1001102258	1	Decal - AC Label (Australian Spec -Belgium Built Machines Only) (SN 1200021770 to Present)	
107	1001102489	1	Decal - Charger Label (Australian Spec - USA Built Machines) (SN 0200190526 through 0200198014)	
107	1001102489	1	Decal - Charger Label (Australian Spec -Belgium Built Machines Only) (SN 1200021770 to Present)	
201		Ref	PLUG OPTIONS:	
201	Not Available	Ref	ANSI Spec Plug (Use Item 102 p/n 1060688)	
201	Not Available	Ref	Australian and Japanese Specs (Purchase Locally)	
201		Ref	CE Spec Options:	
201	0275666	Ref	IEC Yellow Receptacle Installation	A
201	4461196	Ref	Receptacle, IEC Yellow	
201	0275667	Ref	IEC Blue Receptacle Installation	A
201	4461199	Ref	Receptacle, IEC Blue	
201	0275665	Ref	AFSINT 107 Keyed Ground Receptacle Installation	A
201	4461249	Ref	Receptacle, AFSINT 107 Keyed Ground	
201	0275663	Ref	CEE 7 Post Ground Receptacle Installation	A
201	4461202	Ref	Receptacle, CEE 7 Post Ground	
201	0275664	Ref	CEE 7 Side Ground Receptacle Installation	A
201	4461205	Ref	Receptacle, CEE 7 Side Ground	
301	2915230	1	BATTERY CHARGER REPROGRAM CONTROLLER KIT (was p/n 1600466)	

SECTION 1 - FRAME

FIGURE 1-8. BATTERY CHARGER WITH INVERTER ASSEMBLY AND INSTALLATION (OPTIONAL ON ANSI AND CSA SPEC MACHINES)



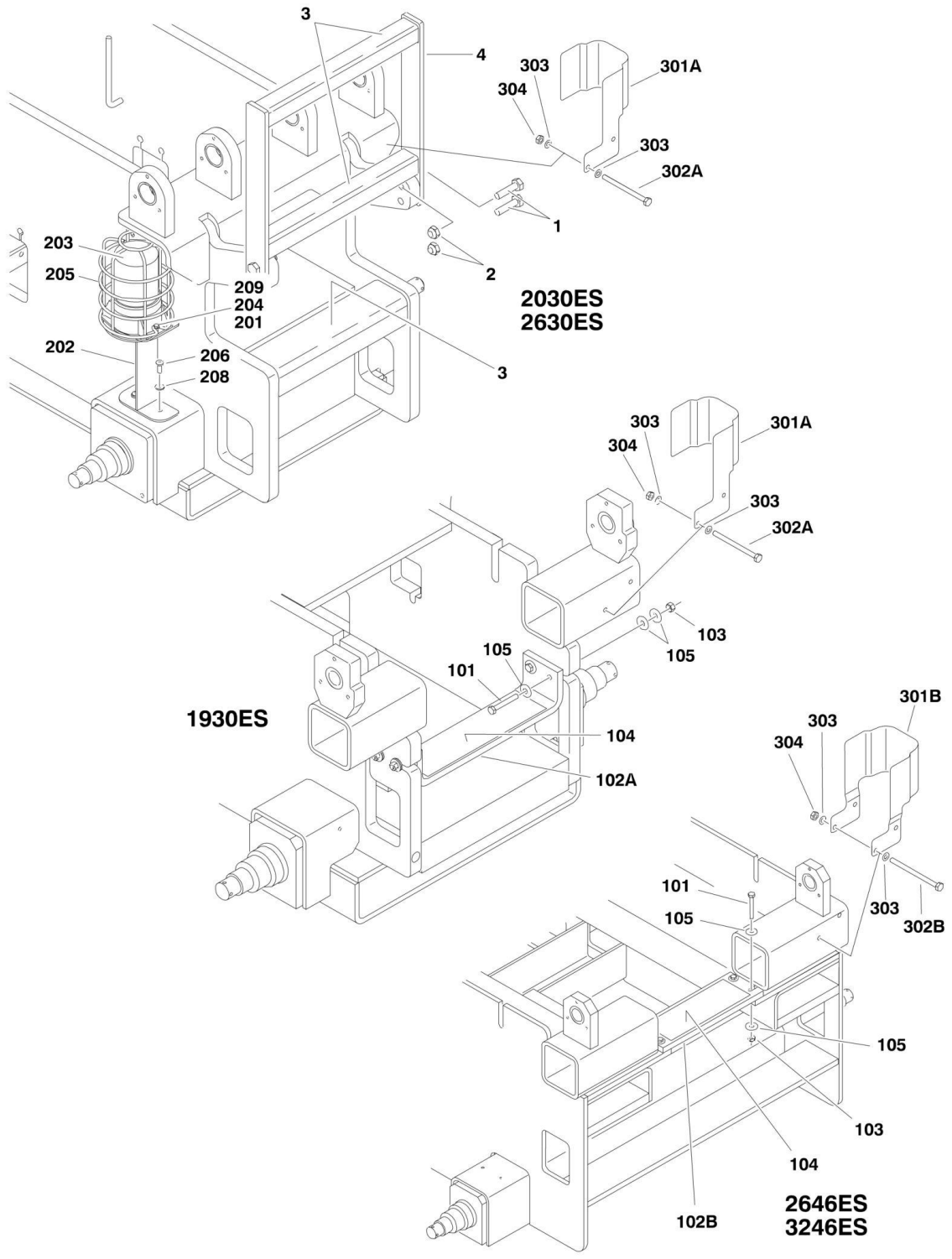
SECTION 1 - FRAME

FIGURE 1-8. BATTERY CHARGER WITH INVERTER ASSEMBLY AND INSTALLATION (OPTIONAL ON ANSI AND CSA SPEC MACHINES)

ITEM	PART NUMBER	QTY	DESCRIPTION	REV
		Ref	BATTERY CHARGER ASSEMBLY	
	0275103	Ref	Battery Charger Assembly (1930ES)	D
	0275104	Ref	Battery Charger Assembly (2030ES/2630ES)	C
	0275105	Ref	Battery Charger Assembly (2646ES/3246ES)	C
1	0100011	AR	Compound, Locking	
2	1001093839	1	Charger/Inverter Assembly (was p/n 0400237)	
3		Ref	Hardware Options:	
3	0760812	4	Bolt M8 x 25mm	
3	0760814	4	Bolt M8 x 30mm	
3	3290805	4	Nut M8	
4	0902780	1	Bracket, Mounting (Remote Switch)	
5		Ref	Bracket, Mounting (Charger/Inverter)	
5	0903444	1	Bracket, Mounting (1930ES)	
5	0903319	1	Bracket, Mounting (2030ES/2630ES/2646ES/3246ES)	
6	1320043	1	Clamp	
7	1705052	1	Decal - On/Off	
8	2820239	1	Insulation, Charger Mounting	
9		Ref	Screw M6 Options:	
9	4191706	AR	Screw 12mm Length	
9	4191707	AR	Screw 16mm Length	
10	4811700	2	Flatwasher M6	
11	4740562	4	Washer, Special	
18	1706749	1	Decal - Inverter (Not Shown - Located on Frame Near Inverter)	
19		Ref	Decal - Hazardous Voltage Options (Not Shown - Located on Platform Near AC Box):	
19	1706765	1	Decal English Language	
19	1001136847	1	Decal Spanish Language	

SECTION 1 - FRAME

FIGURE 1-9. LADDERS, BEACON LIGHT AND ROTARY SENSOR COVER INSTALLATION



SECTION 1 - FRAME

FIGURE 1-9. LADDERS, BEACON LIGHT AND ROTARY SENSOR COVER INSTALLATION

ITEM	PART NUMBER	QTY	DESCRIPTION	REV
		Ref	LADDER INSTALLATIONS	
	0272887	Ref	Ladder Installations (2030ES)	B
	0272888	Ref	Ladder Installations (2630ES)	B
1	0701016	4	Bolt M10 x 40mm	
2	3291005	4	Locknut M10	
3	4420070	3	Tape, Anti-Skid	
4		Ref	Ladder Options:	
4	4846812	1	Ladder (2030ES)	
4	4846813	1	Ladder (2630ES)	
		Ref	LADDER INSTALLATIONS	
	0275120	Ref	Ladder Installations (1930ES)	C
	0275212	Ref	Ladder Installations (2646ES/3246ES)	C
101		Ref	Bolt M6 Options:	
101	0700615	4	Bolt 35mm Length	
101	0700617	4	Bolt 45mm Length	
102		Ref	Ladder Options:	
102A	2930005	1	Ladder (1930ES)	
102B	3576349	1	Ladder (2646ES/3246ES)	
103		Ref	Locknut Options:	
103	3290605	4	Locknut (1930ES)	
103	3290607	4	Locknut (2646ES/3246ES)	
104	4420080	1	Tape, Anti-Skid	
105	4751400	AR	Flatwasher 1/4in Wide	
		Ref	BEACON LIGHT INSTALLATIONS	
	0272309	Ref	Beacon Light Installations (1930ES) (Not Shown)	D
	0274012	Ref	Beacon Light Installations (2030ES/2630ES)	B
	0272980	Ref	Beacon Light Installations (2646ES/3246ES)	D
201	0760410	2	Bolt M4 x 20mm	
202		Ref	Bracket Options:	
202	0902905	1	Bracket (1930ES)	
202	0903086	1	Bracket (2030ES/2630ES)	
202	0902906	1	Bracket (2646ES/3246ES)	
203	2920161	1	Light, Beacon	
203	7016319	1	Bulb, Replacement	
203	7016372	1	Len, Replacement	
204	3290405	2	Locknut M4	
205	4060865	1	Guard	
206	4191707	2	Screw M6 x 16mm	
208	4811700	AR	Flatwasher M6	
209	4750800	2	Flatwasher #8 (Wide)	
		Ref	ROTARY ANGLE SENSOR COVER KIT	
		Ref	Note: This kit is an optional aftermarket add-on for USA Built Machines SN 0200117602 to SN 0200198014 Only and Belgium Built Machines SN 1200001665 to Present Only. Not Available on previous SNs due to changes in frame design. Kit also includes instructions. Parts listed below are for service.	
	1001105108	Ref	Rotary Angle Sensor Cover Kit (1930ES/2030ES/2630ES)	
	1001105109	Ref	Rotary Angle Sensor Cover Kit (2630ES/3246ES)	
301		Ref	Cover Options:	
301A	1001103029	1	Cover for 1930ES/2030ES/2630ES	

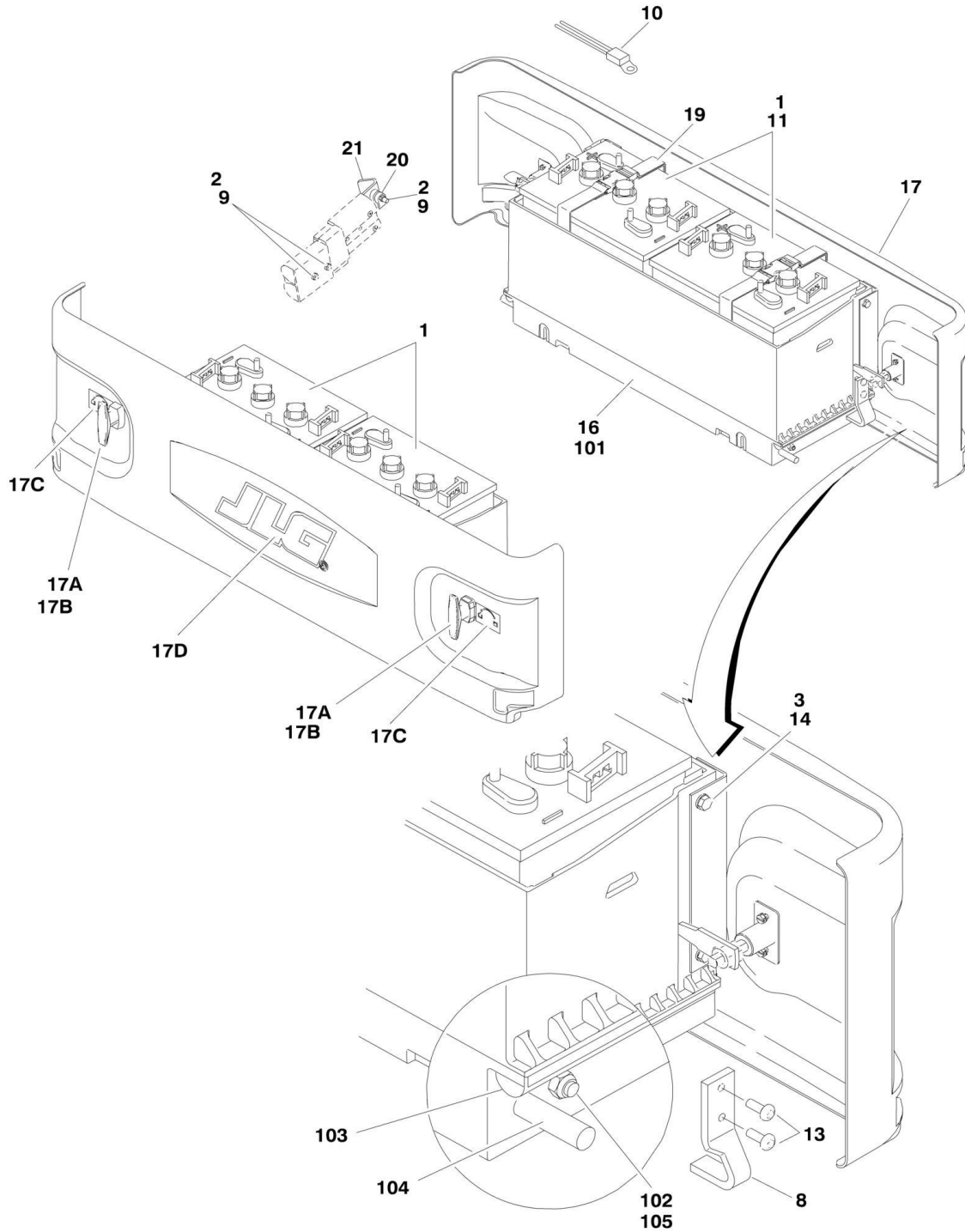
SECTION 1 - FRAME

ITEM	PART NUMBER	QTY	DESCRIPTION	REV
301B	1001103030	1	Cover for 2646ES/3246ES	
302		Ref	Bolt M6 Options:	
302A	0760610	2	Bolt 20mm Length for 1930ES/2030ES/2630ES	
302B	0760612	2	Bolt 25mm Length for 2646ES/3246ES	
303	4811700	4	Flatwasher 6mm	
304	3290605	2	Locknut M6	

SECTION 2 - GROUND COMPONENTS

SECTION 2 - GROUND COMPONENTS

FIGURE 2-1. BATTERIES AND COVERS INSTALLATION



SECTION 2 - GROUND COMPONENTS

FIGURE 2-1. BATTERIES AND COVERS INSTALLATION

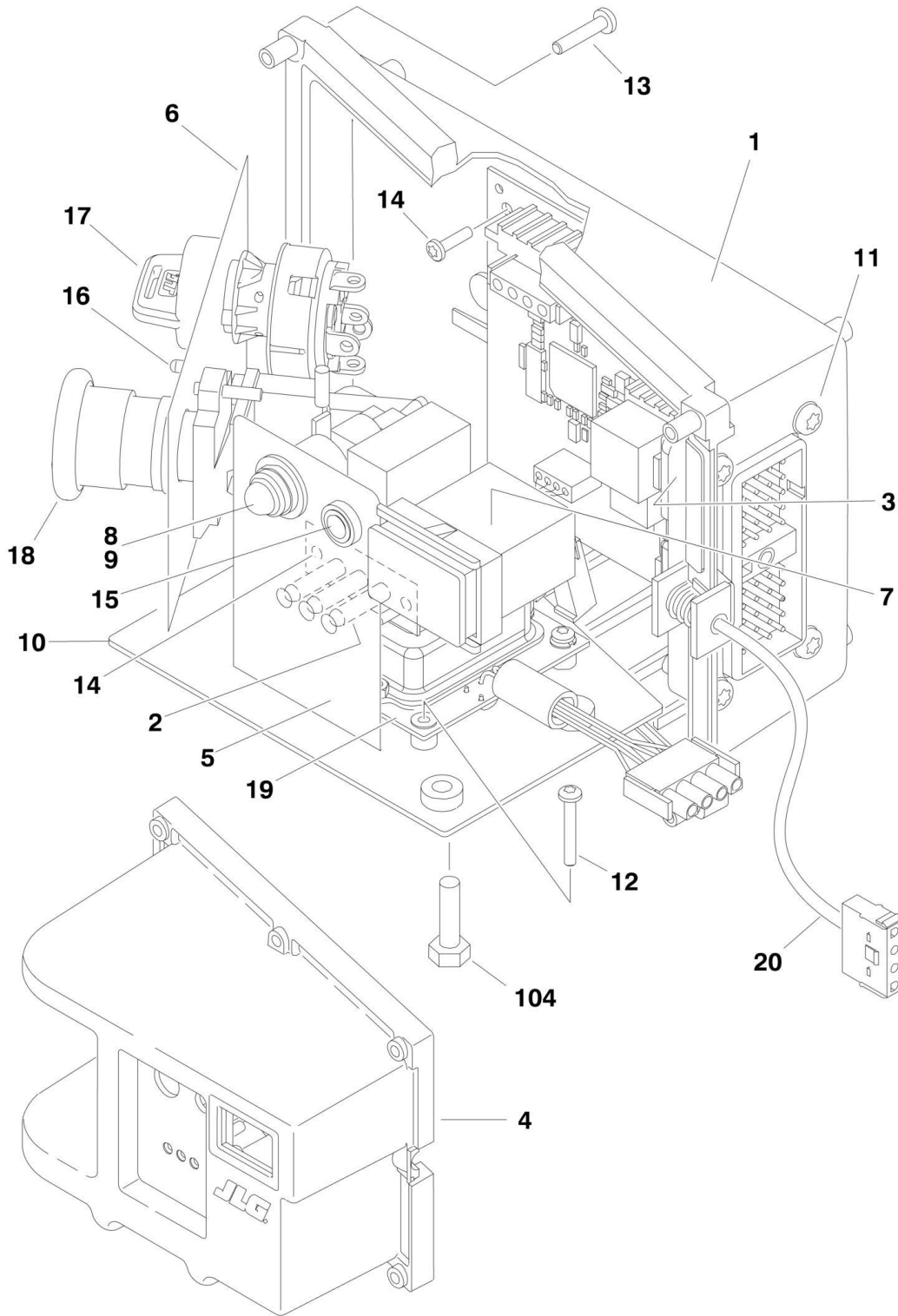
ITEM	PART NUMBER	QTY	DESCRIPTION	REV
		Ref	BATTERIES AND COVERS INSTALLATION	
		Ref	GC Type with 225 AH Rating Batteries:	
	0275020	Ref	All Models (Standard Covers)	D
	0275022	Ref	All Models (Locking Covers)	D
	0275480	Ref	Batteries and Covers Installations (1930ES) (UL Spec with Locking Covers)	E
	0275021	Ref	Batteries and Covers Installations (2030ES/2630ES/2646ES/3246ES) (UL Spec with Locking Covers)	D
		Ref	EV Type with 244 AH Rating Batteries:	
	0275042	Ref	Batteries and Covers Installations (2030ES/2630ES/2646ES/3246ES) with Standard Covers	C
	0275044	Ref	Batteries and Covers Installations (2030ES/2630ES/2646ES/3246ES) with Locking Covers	C
	0275043	Ref	Batteries and Covers Installations (2030ES/2630ES/2646ES/3246ES) (UL Spec) with Locking Covers	C
		Ref	AGM and EVG Type with 225 AH Rating Batteries:	
	0275401	Ref	All Models (Standard Covers)	C
	1001132233	Ref	All Models (Locking Covers)	A
1		Ref	Battery Options:	
1	0400216	4	Battery Type EV-145-WNL (Not Available on 1930ES)	
1	1001112112	4	Battery Type EVGC6A-A	
1	0400215	4	Battery Type GC-110-WNL	
1		Ref	Battery Type UAGC2N Replacement Components (Optional on USA Built Machines (was p/n 0400242): (SN 0200152825 through 0200197383))	
1	0400215	AR	Battery Type UAGC2N Replacement Components (Optional on Belgium Built Machines (was p/n 0400242): (SN 1200008481 through 1200024211))	
1	1001114770	1	Replacement Kit (Kit includes p/n 1001112111 Battery Charger, qty 4 p/n 1001112112 EVGC6A-A Batteries and qty 1 of Item 10 Temperature Sensor)	
1	1001112112	4	Battery Type EVGC6A-A	
		Ref	(Note: Use only after kit has been installed)	
2		Ref	Bolt Options:	
2	0700615	AR	Bolt M6 x 35mm	
2	0700616	AR	Bolt M6 x 40mm	
2	4031713	AR	Bolt, Sockethead M6 x 40mm	
3	0760610	8	Bolt M6 x 20mm	
8		Ref	Plate, Slide Stop Options:	
8	3574981	2	Plate Left Side	
8	3574984	2	Plate Right Side	
9	3290605	AR	Locknut M6	
10	1001127269	1	Temperature Sensor Kit (Includes Sensor, Wire Nut and Instructions) (was p/n 1001112113)	
11	0100051	AR	Grease, Terminal	
13	4191707	8	Screw M6 x 16mm	
14	4811700	8	Flatwasher M6	
16		Ref	Tray Assembly Options (See Items 101-106 for Breakdown):	
16	0273698	2	Tray USA and Belgium	
16	0861678	2	Tray UL Spec	
17		Ref	Cover Options:	

SECTION 2 - GROUND COMPONENTS

ITEM	PART NUMBER	QTY	DESCRIPTION	REV
17	1671202	2	Cover with Decals and Standard Latches	D
17	1671204	2	Cover with Decals and Lockable Latches	D
17	1671204	2	Cover, UL Spec with Decals and Lockable Latches	D
17	1671203	1	Cover, Battery Less Decals and Latches	
		Ref	(Note: Must Purchase Decals and Latches Separately)	
17A		Ref	Latch Options (2 Per Cover):	
17A	2940174	4	Standard	
17A	2940175	4	Locking	
17A	7027863	4	Key	
17B	4750800	4	Flatwasher #8 (2 Per Cover) (was p/n 4071102 Shim)	
17C	1706350	2	Decal - Cover	
17D	1705754	1	Decal - JLG	
19	4240172	4	Strap, Battery (UL Spec)	
20	1321130	1	Clamp (UL Spec) (1930ES Only)	
21	Not Available	1	Handle, Disconnect (UL Spec) (1930ES Only)	
21	1001110826	1	Bracket, Disconnect Mounting (UL Spec) (1930ES Only)	
		Ref	TRAY ASSEMBLY OPTIONS:	
	0273698	Ref	USA and Belgium	E
	0861678	Ref	UL Spec	D
101	Purchase Item 16	1	Tray, Battery	
102	3290605	AR	Locknut	
103	3340975	2	Pad, Wear (Note: Wear Pad not available separately from Tray Assembly on some applications.)	
104		Ref	Stop, Battery Box Options:	
		Ref	NOTE: Requires (2) 3820032 Rivet & (1) 4811600 Washer	
104	4220252	1	Stop, Battery Box LH	
104	4220253	1	Stop, Battery Box RH	
105	3820032	AR	Rivet (Not Shown)	
106	4811600	AR	Washer (Not Shown)	

SECTION 2 - GROUND COMPONENTS

FIGURE 2-2. GROUND CONTROL ASSEMBLY AND INSTALLATION



SECTION 2 - GROUND COMPONENTS

FIGURE 2-2. GROUND CONTROL ASSEMBLY AND INSTALLATION

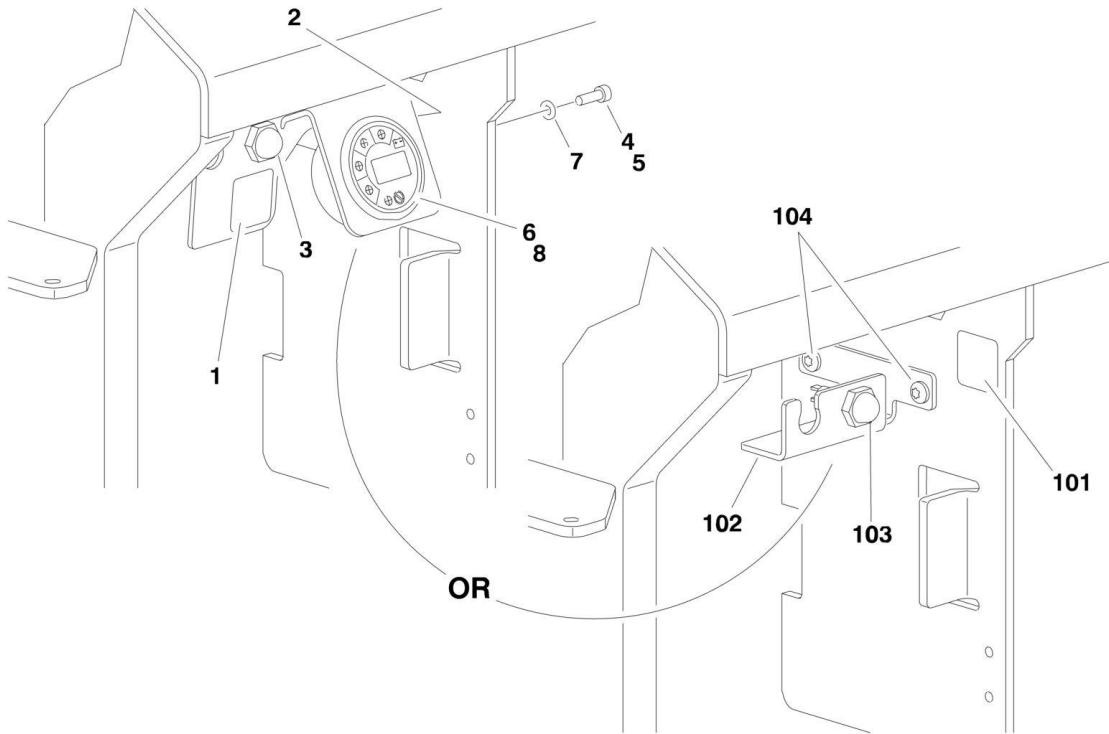
ITEM	PART NUMBER	QTY	DESCRIPTION	REV
		Ref	GROUND CONTROL ASSEMBLY	
	0272780	Ref	ANSI and ANSI Export and UL Specs	AC
	0861669	Ref	ANSI Export and Japanese Specs	R
	0273444	Ref	Australian Specs without Overload	Y
	0272781	Ref	Australian and CE Specs with Overload	AC
1	0380025	1	Box, Ground Control	
2	0610161	1	Board, PC (Battery Charger LED)	
3		Ref	Component Options:	
		Ref	Note: PC Board must be recalibrated when replaced. PC Board used on Machines with p/n 1600346 Drive Module Only.	
3	1600419	1	Board, PC (Ground Control)	
3	2915039	1	Upgrade Kit (Includes Cables, Programming Instructions and CD Software) (Note: Use with p/n 1600419 PC Board. Must be Purchased Separately.)	B
4	1671105	1	Cover, Front	
5		Ref	Decal - LED Options:	
5	1705696	1	Decal - LED ANSI, ANSI Export and UL Specs	
5	1705697	1	Decal - LED ANSI Export, CE and Japanese Specs	
5	1705696	1	Decal - LED Australian Spec without Overload	
5	1705697	1	Decal - LED Australian Spec with Overload	
6	1705698	1	Decal - Function	
7	2420172	1	Hourmeter	
8		Ref	Component Options:	
8	3520193	1	Plug (ANSI, ANSI Export and UL Specs)	
8	2920026	1	Lamp (ANSI Export, CE and Japanese Specs)	
8	3520193	1	Plug (Australian Spec without Overload)	
8	2920026	1	Lamp (Australian Spec with Overload)	
9		Ref	Bulb Options:	
9	Not Required	0	Bulb ANSI, ANSI Export and UL Specs	
9	2920094	1	Bulb ANSI Export, CE Spec and Japanese Specs	
9	Not Required	0	Bulb Australian Spec without Overload	
9	2920094	1	Bulb Australian Spec with Overload	
10	4340739	1	Plate, Mounting	
11	3900336	4	Screw, Torx #10-32NF x 1/2in	
11	3321005	4	Locknut #10-32NF	
11	4751000	4	Flatwasher #10 Wide	
12	3900356	4	Screw, Torx M3.5 x 16mm	
13	3900338	6	Screw, Torx M4 x 20mm	
14	3900339	5	Screw, Plastite #6 x 1/2in	
15	4360069	1	Breaker, Circuit - 10 Amp	
16	4360328	1	Switch, Toggle	
17		Ref	Keyswitch Options:	
17	4360469	1	Keyswitch ANSI, ANSI Export, Japanese and UL Specs	
17	4360470	1	Keyswitch Australian and CE Specs	
17	2860030	1	Key, Replacement (Fits All Specs)	
18	4360475	1	Switch, Emergency Stop	
18	7020175	1	Cap	
18	7020176	1	Block, Contact	
19	1810140	1	Module, Tilt (was p/n 4000006)	

SECTION 2 - GROUND COMPONENTS

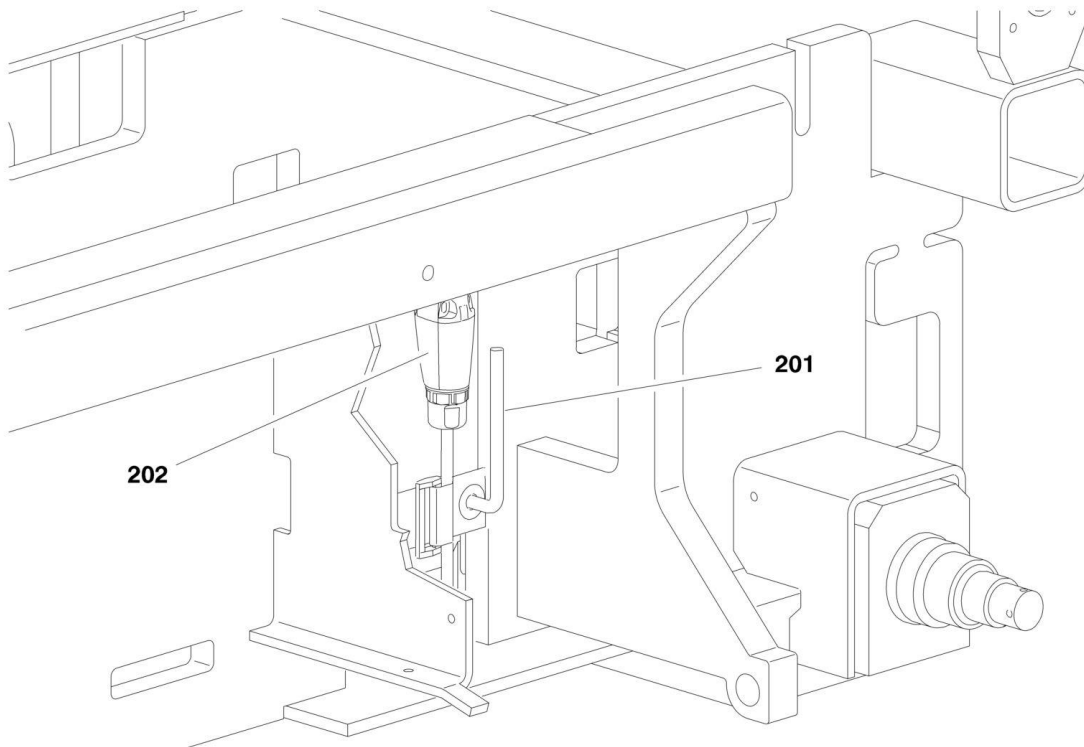
ITEM	PART NUMBER	QTY	DESCRIPTION	REV
20	4922865	1	Harness, Control Box (See ELECTRICAL SECTION for Breakdown)	
		Ref	GROUND CONTROL BOX INSTALLATION	
	0272810	Ref	ANSI and ANSI Export and UL Specs	G
	0273966	Ref	ANSI Export and Japanese Specs	D
	0273443	Ref	Australian Specs without Overload	E
	0272811	Ref	Australian and CE Specs with Overload	G
104	0700615	3	Bolt M6 x 35mm	
	0272878	Ref	ANTI-VANDELISM PACKAGE INSTALLATION (NOT SHOWN)	A
	1671124	1	Cover, Lockable Ground Control Box	

SECTION 2 - GROUND COMPONENTS

FIGURE 2-3. BRAKE DISCONNECT/RELEASE AND MDI (MULTIFUNCTION DIGITAL INDICATOR) GAUGE INSTALLATIONS



OPPOSITE SIDE OF FRAME



SECTION 2 - GROUND COMPONENTS

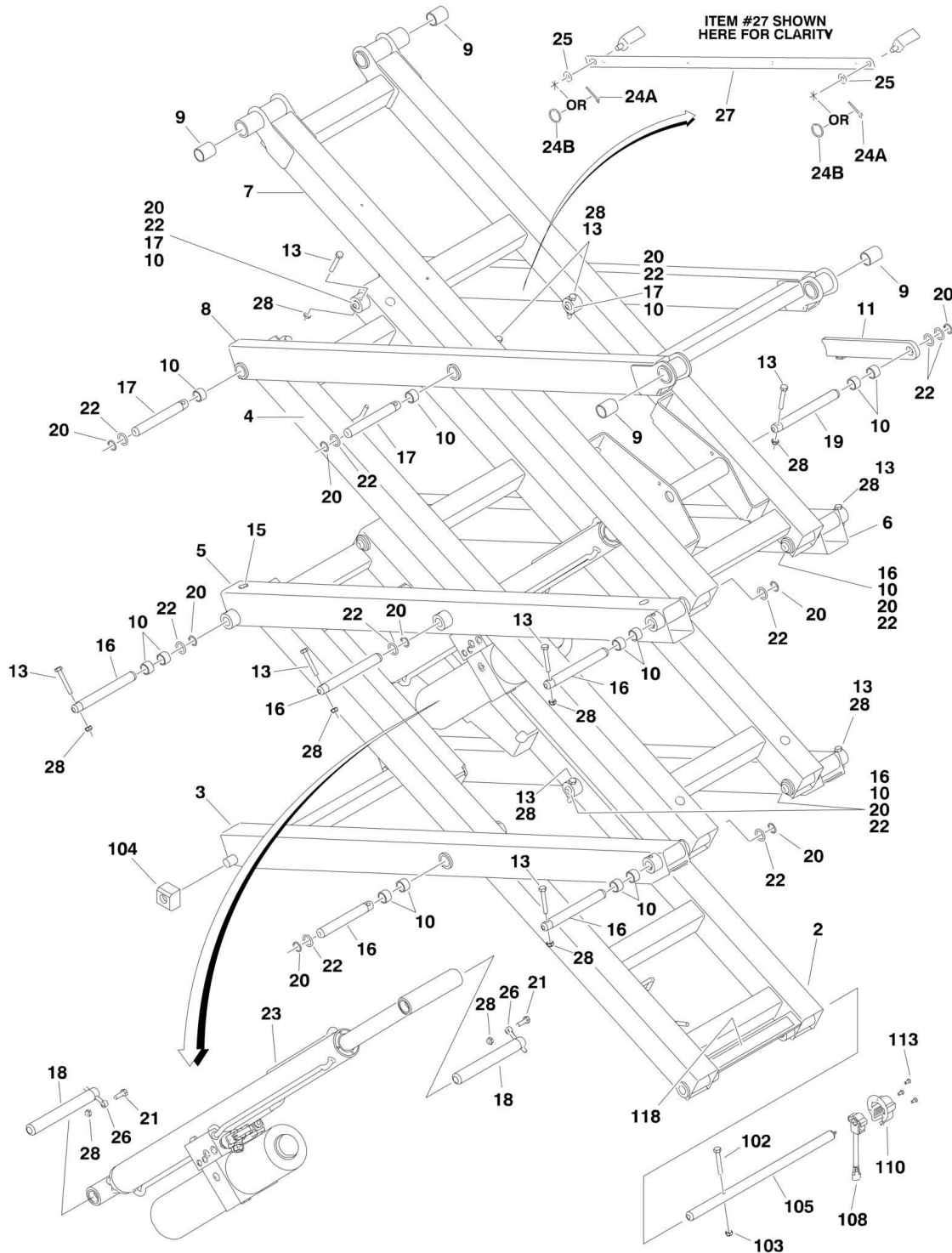
FIGURE 2-3. BRAKE DISCONNECT/RELEASE AND MDI (MULTIFUNCTION DIGITAL INDICATOR) GAUGE INSTALLATIONS

ITEM	PART NUMBER	QTY	DESCRIPTION	REV
	0275530	Ref	MDI (MULTIFUNCTION DIGITAL INDICATOR) GAUGE AND BRAKE RELEASE INSTALLATION	
		Ref	Note: Standard on USA Built Machines SN 0200168420 to SN 0200198014 and Belgium Built Machines SN 1200014906 to Present - Previously Optional.	
1	1706679	1	Decal - Brake Release	
2	1001094203	1	Bracket	
3	4360387	1	Switch, Push Button	
4	4031607	2	Capscrew M5 x 16mm	
5	0100011	AR	Compound, Locking	
6	0100048	AR	Grease, Dielectric	
7	4811600	2	Flatwasher M5	
8	1001092454	1	Gauge, MDI (Multifunction Digital Indicator)	
9	1001093556	1	MDI Harness (Not Shown - See ELECTRICAL SECTION for Breakdown)	
	0275603	Ref	BRAKE RELEASE SWITCH INSTALLATION	A
		Ref	Note: Optional on USA Built Machines SN 0200152825 to SN 0200168420 and Belgium Built Machines SN 1200008481 to SN 1200014906 Only.	
101	1706679	1	Decal - Brake Release	
102	0903598	1	Bracket	
103	4360387	1	Switch, Push Button	
104	4191706	2	Screw M6 x 12mm	
	0275432	Ref	BRAKE RELEASE ONLY INSTALLATION	A
		Ref	Note: Optional on USA Built Machines SN 0200152825 to SN 0200168420 and Belgium Built Machines SN 1200008481 to SN 1200014906 Only.	
201	2902331	1	Mount and Screw Kit	
202	4922944	1	Bracket Disconnect/Release Switch Assembly (See ELECTRICAL SECTION for Breakdown as Design May Vary)	

SECTION 3 - SCISSOR ARMS

SECTION 3 - SCISSOR ARMS

FIGURE 3-1. SCISSOR ARMS INSTALLATION - 1930ES



SECTION 3 - SCISSOR ARMS

FIGURE 3-1. SCISSOR ARMS INSTALLATION - 1930ES

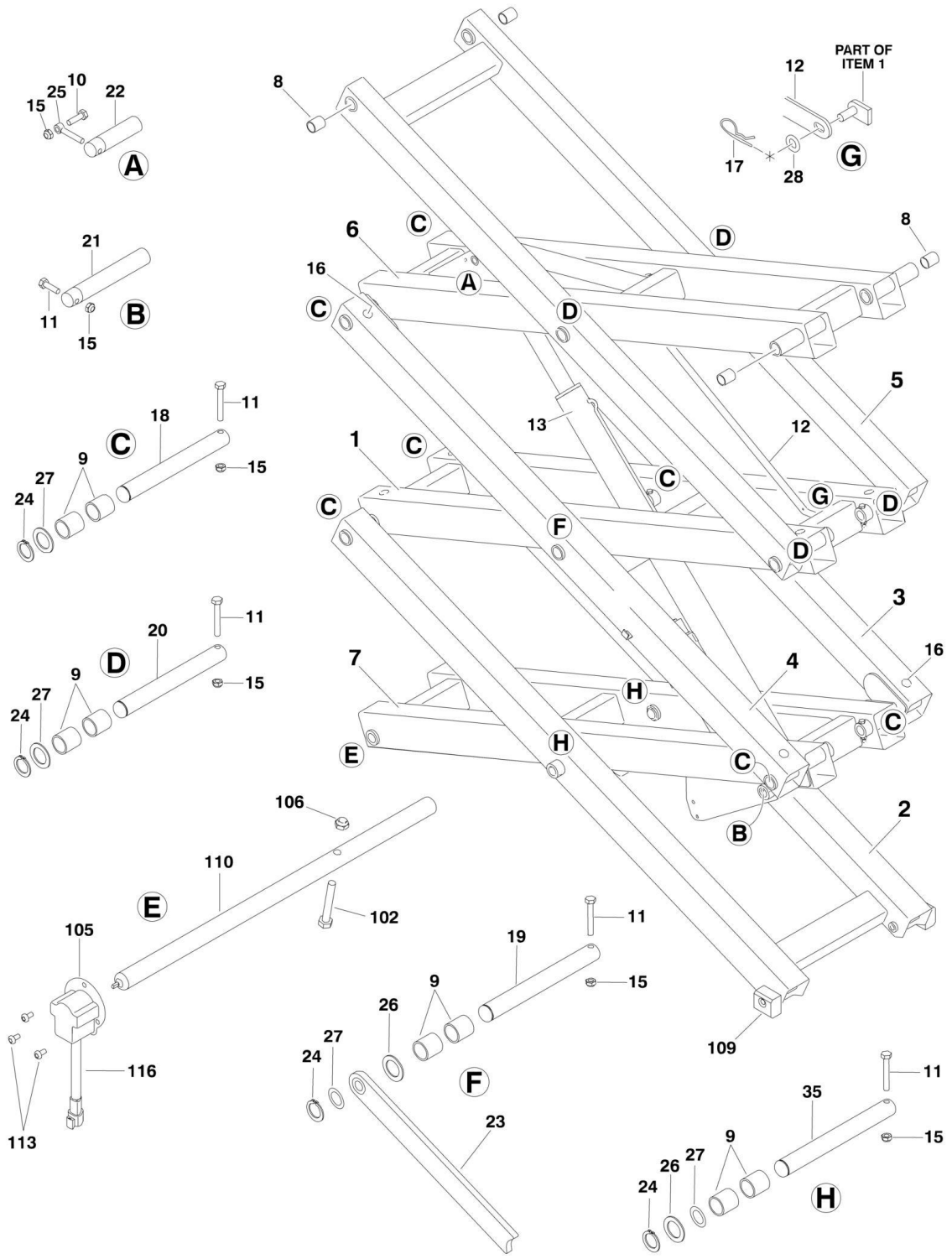
ITEM	PART NUMBER	QTY	DESCRIPTION	REV
		Ref	SCISSOR ARMS ASSEMBLY - 1930ES	
	0274841	Ref	Machines with Standard Hydraulic Oil	K
	0200838	Ref	Machines with Biodegradeable Hydraulic Oil	E
2	0200825	1	Arm - Lower Inboard	
3	0200810	1	Arm - Lower Outboard	
4	0200824	1	Arm - Mid Inboard	
5	0200823	1	Arm - Mid Outboard (Left Side)	
6	0200822	1	Arm - Mid Outboard (Right Side)	
7	0200821	1	Arm - Upper Inboard	
8	0200815	1	Arm - Upper Outboard	
9	0440266	4	Bearing	
10	0440264	28	Bearing	
11	3574159	1	Prop, Safety	
13	0701022	14	Bolt M10 x 70mm	
15	3340962	16	Pad	
16	3423031	9	Pin	
17	3423032	4	Pin	
18	3423038	2	Pin	
19	3423042	1	Pin	
20	3760115	14	Ring, Retaining	
21	0761014	2	Bolt M10 x 30mm	
22	4740531	15	Washer, Special	
23		Ref	Lift Cylinder Assembly Options (See CYLINDER SECTION for Breakdown):	
23	1684484	1	Lift Cylinder Assembly Machines with Standard Hydraulic Oil	
23	1684526	1	Lift Cylinder Assembly Machines with Biodegradeable Hydraulic Oil	
24		Ref	Hardware Options:	
24A	3450303	2	Pin, Cotter 3/32in x 3/4in	
24B	3760170	2	Ring, Split	
25	4812000	2	Flatwasher M10	
26	3841143	2	Keeper, Pin	
27	3576093	1	Bar, Cable Carrier	
28	3291007	16	Locknut M10 (was p/n 3291005)	
	2902455	1	Arms Kit - 1930ES (Includes Items 2-11)	N
		Ref	SCISSOR ARMS INSTALLATIONS - 1930ES	
	0274874	Ref	Machines with Standard Hydraulic Oil	E
	0275692	Ref	Machines with Biodegradeable Hydraulic Oil	B
102	0701022	1	Bolt M10 x 70mm	
103	3291005	1	Locknut M10	
104	3340964	2	Pad, Slide	
105	3423239	1	Pin, Sensor	
108	1001092354	1	Switch, Rotary Angle Sensor (was p/n 4360526)	
110	3200454	1	Mount, Switch	
113	4191706	3	Screw M6 x 12mm	
115	1061036	1	Cable, Manual Descent (Not Shown)	
115	7020218	1	T-Handle (with 1/4in-20 Threads)	
115	70001878	1	T-Handle (with 5mm Threads)	
116	3321402	1	Jam Nut (Not Shown)	
117	4160078	1	Spring, Compression (Not Shown)	

SECTION 3 - SCISSOR ARMS

ITEM	PART NUMBER	QTY	DESCRIPTION	REV
118	4420070	1	Tape, Anti-Skid	

SECTION 3 - SCISSOR ARMS

FIGURE 3-2. SCISSOR ARMS INSTALLATION - 2030ES



SECTION 3 - SCISSOR ARMS

FIGURE 3-2. SCISSOR ARMS INSTALLATION - 2030ES

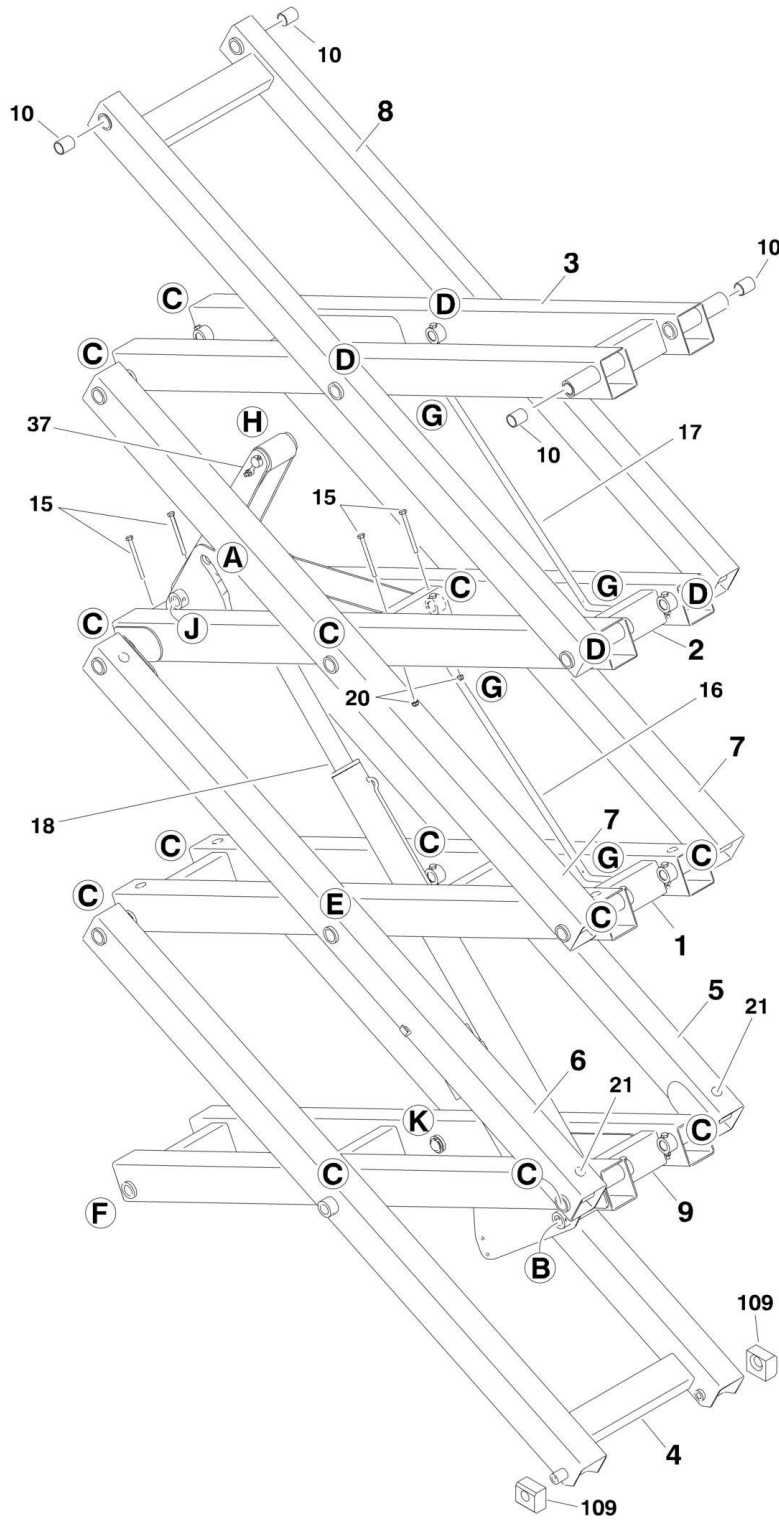
ITEM	PART NUMBER	QTY	DESCRIPTION	REV
		Ref	SCISSOR ARMS ASSEMBLY - 2030ES	
	0275018	Ref	Machines with Standard Hydraulic Oil	I
	0200839	Ref	Machines with Biodegradeable Hydraulic Oil	G
1	0200799	1	Arm - Mid Inboard	
2	0200802	1	Arm - Lower Outboard	
3	0200803	1	Arm - Mid Outboard (Left Side)	
4	0200804	1	Arm - Mid Outboard (Right Side)	
5	0200807	1	Arm - Upper Outboard	
6	0200816	1	Arm - Upper Inboard	
7	0200834	1	Arm - Lower Inboard	
8	0440266	4	Bearing	
9	0440267	28	Bearing	
10	0701015	1	Bolt M10 x 35mm	
11	0701022	15	Bolt M10 x 70mm	
12	1180382	1	Carrier, Cable	
13		Ref	Lift Cylinder Assembly Options (See CYLINDER SECTION for Breakdown):	
13	1684487	1	Lift Cylinder Assembly Machines with Standard Hydraulic Oil	
13	1684527	1	Lift Cylinder Assembly Machines with Biodegradeable Hydraulic Oil	
15	3291005	16	Locknut M10	
16	3340962	16	Pad, Arm	
17	3420156	2	Pin, Cotter	
18	3422997	7	Pin	
19	3423014	1	Pin	
20	3423036	4	Pin	
21	3423038	1	Pin	
22	3423067	1	Pin	
23	3574161	1	Bar, Prop Attach	
24	3760387	14	Ring, Retaining	
25	3841143	1	Keeper, Pin	
26	4071094	AR	Shim, Spacer	
27	4740438	14	Washer, Special	
28	4812000	2	Flatwasher M10	
35		Ref	Pin Options:	
35	3422997	2	Pin (USA Built Machines) (SN 0200152825 through 0200176682)	
35	3422997	2	Pin (Belgium Built Machines) (SN 1200008481 through 1200016872)	
35	3423014	2	Pin (USA Built Machines) (SN 0200176683 through 0200198014)	
35	3423014	2	Pin (Belgium Built Machines) (SN 1200016873 to Present)	
	2902499	1	Scissor Arm Kit - 2030ES (Includes Items 2-9, 12 & 23)	K
		Ref	SCISSOR ARMS INSTALLATIONS - 2030ES	
	0275016	Ref	Machines with Standard Hydraulic Oil	D
	0275693	Ref	Machines with Biodegradeable Hydraulic Oil	B
102	0701022	1	Bolt M10 x 70mm	
103		Ref	Cable, Manual Descent Options (Not Shown):	
103	1061036	1	Cable, 9ft/2.74m Length (USA Built Machines) (SN 0200152825 through 0200161858)	
103	1061036	1	Cable, 9ft/2.74m Length (Belgium Built Machines) (SN	

SECTION 3 - SCISSOR ARMS

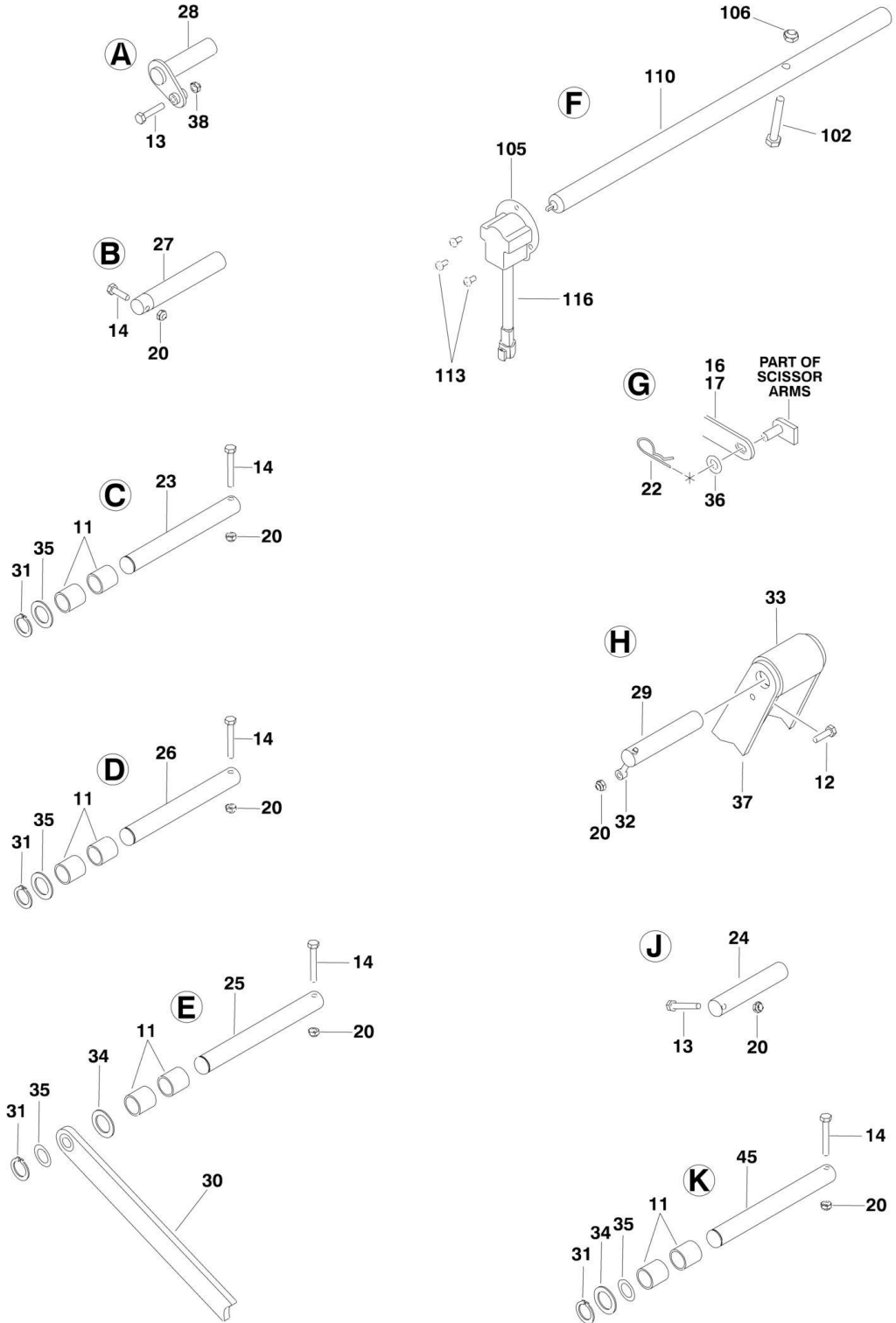
ITEM	PART NUMBER	QTY	DESCRIPTION	REV
103	1061034	1	1200008481 through 1200011442) Cable, 12.5ft/3.81m Length (USA Built Machines) (SN 0200161859 through 0200198014)	
103	1061034	1	Cable, 12.5ft/3.81m Length (Belgium Built Machines) (SN 1200011443 to Present)	
103	7020218	1	T-Handle (with 1/4in-20 Threads)	
103	70001878	1	T-Handle (with 5mm Threads)	
105	3200454	1	Mount, Switch	
106	3291005	1	Locknut M10	
108	3321402	1	Nut, Jam 1/4in-28NF (Not Shown)	
109	3340957	2	Pad, Slide	
110	3423259	1	Pin, Sensor	
112	4160078	1	Spring, Compression (Not Shown)	
113	4191706	3	Screw M6 x 12mm	
116	1001092354	1	Switch, Rotary Angle Sensor (was p/n 4360526)	

SECTION 3 - SCISSOR ARMS

FIGURE 3-3. SCISSOR ARMS INSTALLATION - 2630ES



SECTION 3 - SCISSOR ARMS



SECTION 3 - SCISSOR ARMS

FIGURE 3-3. SCISSOR ARMS INSTALLATION - 2630ES

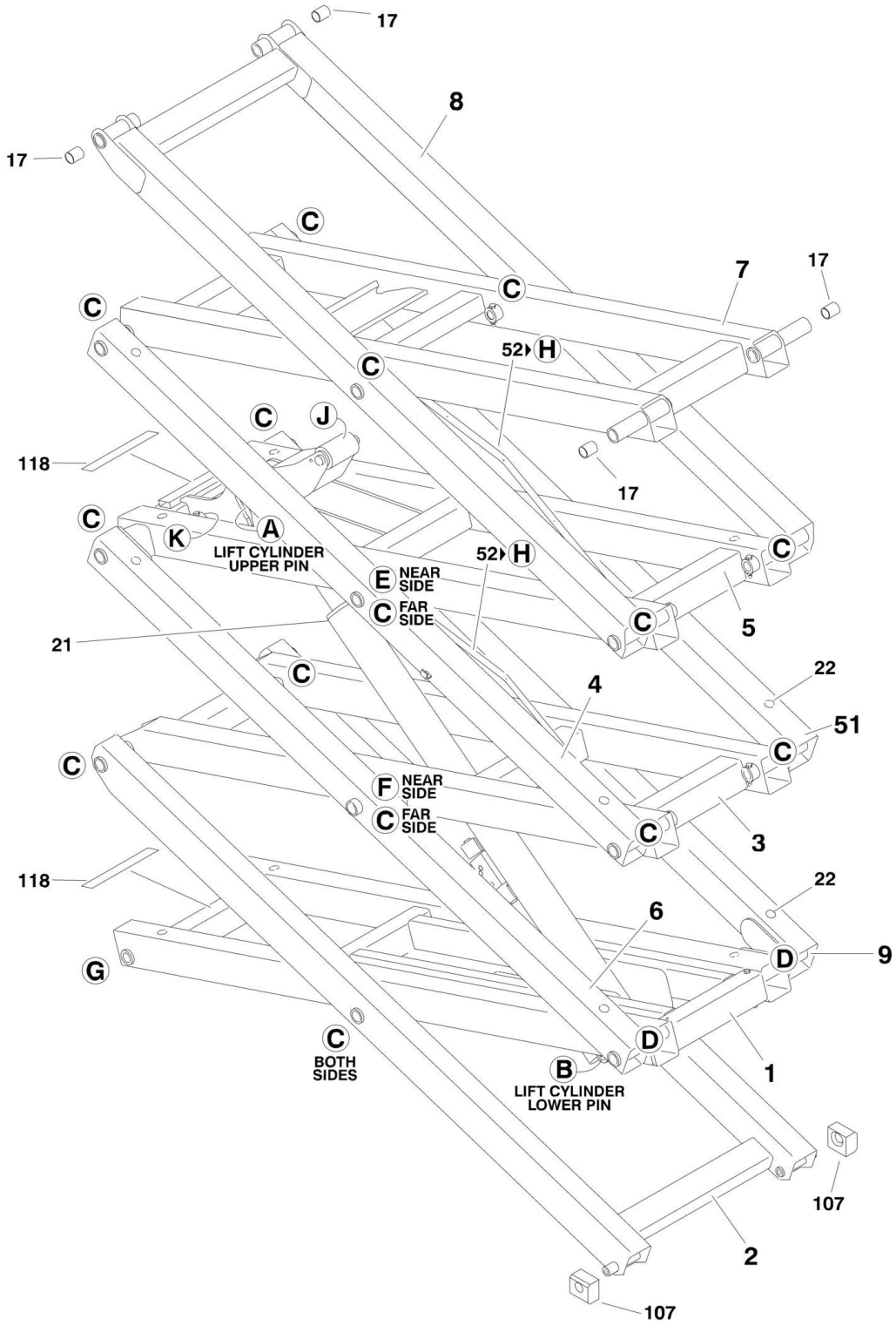
ITEM	PART NUMBER	QTY	DESCRIPTION	REV
		Ref	SCISSOR ARMS ASSEMBLY - 2630ES	
	0275019	Ref	Machines with Standard Hydraulic Oil	J
	0200840	Ref	Machines with Biodegradeable Hydraulic Oil	H
1	0200799	1	Arm - Lower Mid Inboard	
2	0200800	1	Arm - Upper Mid Inboard	
3	0200801	1	Arm - Upper Inboard	
4	0200802	1	Arm - Lower Outboard	
5	0200803	1	Arm - Lower Mid Outboard (Left Side)	
6	0200804	1	Arm - Lower Mid Outboard (Right Side)	
7	0200805	2	Arm - Upper Mid Out board	
8	0200807	1	Arm - Upper Outboard	
9	0200834	1	Arm - Lower Inboard	
10	0440266	4	Bearing	
11	0440267	42	Bearing	
12	0701015	1	Bolt M10 x 35mm	
13	0701017	1	Bolt M10 x 45mm	
14	0701022	18	Bolt M10 x 70mm	
15	0701029	4	Bolt M10 x 120mm	
16	1180382	1	Carrier, Cable	
17	1180383	1	Carrier, Cable	
18		Ref	Lift Cylinder Assembly Options (See CYLINDER SECTION for Breakdown):	
18	1684488	1	Lift Cylinder Assembly Machines with Standard Hydraulic Oil	
18	1684528	1	Lift Cylinder Assembly Machines with Biodegradeable Hydraulic Oil	
20	3291005	23	Locknut M10	
21	3340962	24	Pad, Arm	
22	3420156	2	Pin, Cotter	
23	3422997	13	Pin	
24	3422998	1	Pin	
25	3423014	1	Pin	
26	3423036	4	Pin	
27	3423038	1	Pin	
28	3423039	1	Pin	
29	3423067		Pin	
30	3574161	1	Bar, Prop Attach	
31	3760387	20	Ring, Retaining	
32	3841143	1	Keeper, Pin	
33	3860107	1	Roller	
34	4071094	AR	Shim, Spacer	
35	4740438	20	Washer, Special	
36	4812000	2	Flatwasher M10	
37	4846752	1	Kicker, Arm	
38	3291007	1	Locknut M10	
45		Ref	Pin Options:	
45	3422997	2	Pin (USA Built Machines) (SN 0200152825 through 0200176682)	
45	3422997	2	Pin (Belgium Built Machines) (SN 1200008481 through 1200016872)	
45	3423014	2	Pin (USA Built Machines) (SN 0200176683 through 0200198014)	

SECTION 3 - SCISSOR ARMS

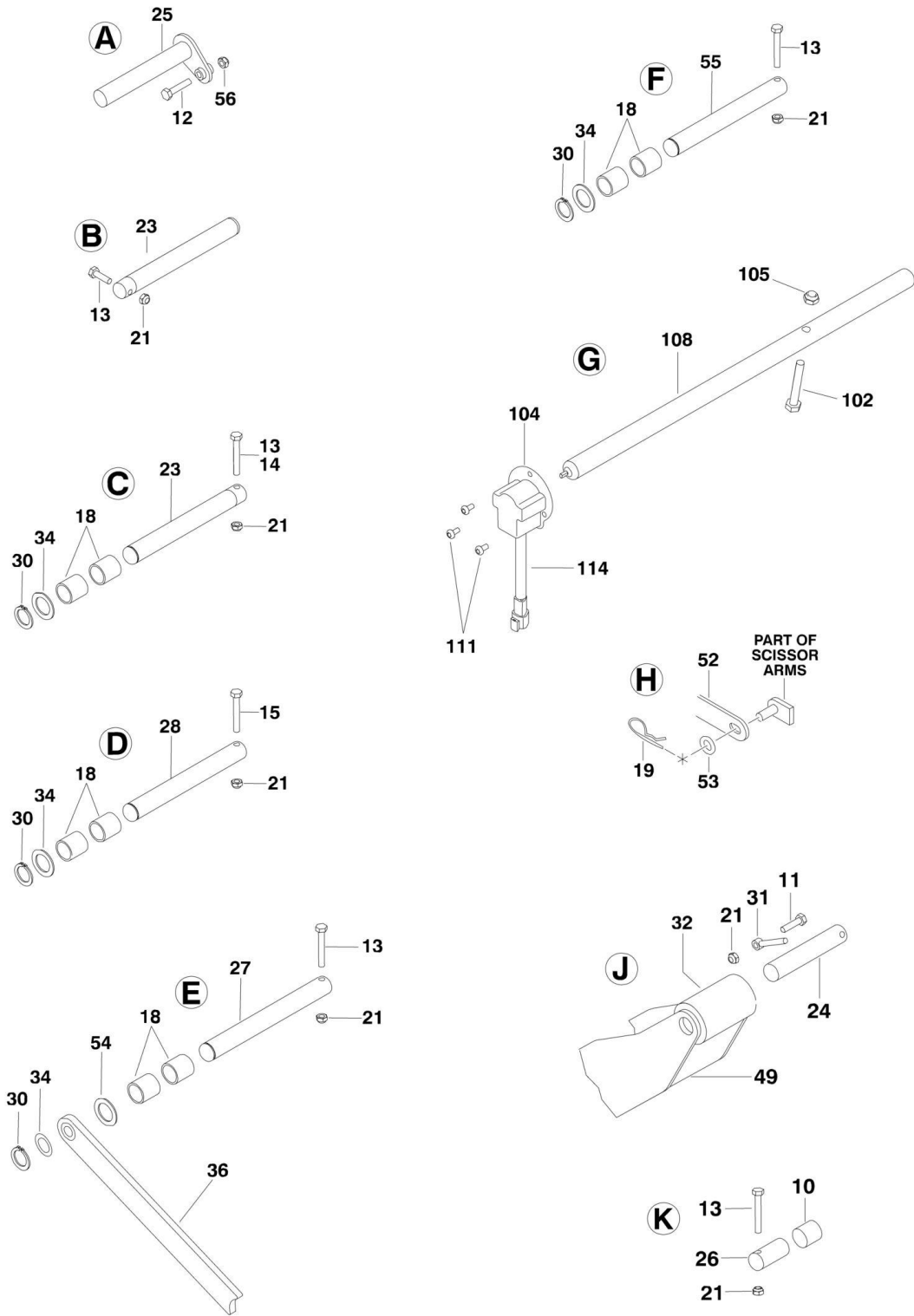
ITEM	PART NUMBER	QTY	DESCRIPTION	REV
45	3423014	2	Pin (Belgium Built Machines) (SN 1200016873 to Present)	
	2902500	1	Scissor Arm Kit - 2630ES (Includes Items 1-11, 16, 17, 30 & 37)	M
		Ref	SCISSORS ARMS INSTALLATION	
	0275017	Ref	Machines with Standard Hydraulic Oil	D
	0275694	Ref	Machines with Biodegradeable Hydraulic Oil	B
102	0701022	1	Bolt M10 x 70mm	
103		Ref	Cable, Manual Descent Options (Not Shown):	
103	1061036	1	Cable, 9ft/2.74m Length (USA Built Machines) (SN 0200152825 through 02000161858)	
103	1061036	1	Cable, 9ft/2.74m Length (Belgium Built Machines) (SN 1200008481 through 1200011442)	
103	1061034	1	Cable, 12.5ft/3.81m Length (USA Built Machines) (SN 02000161859 through 0200198014)	
103	1061034	1	Cable, 12.5ft/3.81m Length (Belgium Built Machines) (SN 1200011443 to Present)	
103	7020218	1	T-Handle (with 1/4in-20 Threads)	
103	70001878	1	T-Handle (with 5mm Threads)	
105	3200454	1	Mount, Switch	
106	3291005	1	Locknut M10	
108	3321402	1	Nut, Jam 1/4in-28NF (Not Shown)	
109	3340957	2	Pad, Slide	
110	3423259	1	Pin, Sensor	
112	4160078	1	Spring, Compression (Not Shown)	
113	4191706	3	Screw M6 x 12mm	
116	1001092354	1	Switch, Rotary Angle Sensor (was p/n 4360526)	

SECTION 3 - SCISSOR ARMS

FIGURE 3-4. SCISSOR ARMS INSTALLATION - 2646ES/3246ES



SECTION 3 - SCISSOR ARMS



SECTION 3 - SCISSOR ARMS

FIGURE 3-4. SCISSOR ARMS INSTALLATION - 2646ES/3246ES

ITEM	PART NUMBER	QTY	DESCRIPTION	REV
		Ref	SCISSOR ARMS ASSEMBLIES - 2646ES/3246ES	
	0274880	Ref	Scissor Arms Assemblies (2646ES) with Standard Hydraulic Oil	H
	0200841	Ref	Scissor Arms Assemblies (2646ES) with Biodegradeable Hydraulic Oil	F
	0274878	Ref	Scissor Arms Assemblies (3246ES) with Standard Hydraulic Oil	H
	0200842	Ref	Scissor Arms Assemblies (3246ES) with Biodegradeable Hydraulic Oil	F
1	0200832	1	Arm - Lower Inboard	
2	0200783	1	Arm - Lower Outboard	
3	0200831	1	Arm - Lower Mid Inboard	
4	0200830	1	Arm - Upper Mid Outboard (Right Side)	
5	0200829	1	Arm - Upper Mid Inboard	
6	0200828	1	Arm - Lower Mid Outboard (Right Side)	
7	0200827	1	Arm - Upper Inboard	
8	0200789	1	Arm - Upper Outboard	
9	0200826	1	Arm - Lower Mid Outboard (Left Side)	
10	0440257	2	Bearing	
11	0701016	1	Bolt M10 x 40mm	
12	0701020	1	Bolt M10 x 60mm	
13	0701022	19	Bolt M10 x 70mm	
14	0701027	2	Bolt M10 x 100mm	
15	0701029	2	Bolt M10 x 120mm	
16		Ref	Lift Cylinder Assembly Options (See CYLINDER SECTION for Breakdown):	
16	1684489	1	Lift Cylinder Assembly (2646ES) with Standard Hydraulic Oil	
16	1684529	1	Lift Cylinder Assembly (2646ES) with Biodegradeable Hydraulic Oil	
16	1684490	1	Lift Cylinder Assembly (3246ES) with Standard Hydraulic Oil	
16	1684530	1	Lift Cylinder Assembly (3246ES) with Biodegradeable Hydraulic Oil	
17	0440266	4	Bearing	
18	0440267	40	Bearing	
19	3420156	4	Pin, Cotter	
21	3291005	24	Locknut M10	
22	3340962	24	Pad, Arm	
23	3422997	17	Pin	
24	3422998	1	Pin	
25	3423009	1	Pin	
26	3423011	2	Pin	
27	3423014	1	Pin	
28	3423026	2	Pin	
30	3760387	20	Ring, Retaining	
31	3841143	1	Keeper, Pin	
32	3860104	1	Roller	
34	4740438	20	Washer, Special	
36	3574161	1	Prop, Safety	
49	4846684	1	Kicker, Arm	
51	0200820	1	Arm - Upper Mid Outboard (Left Side)	
52	1180380	2	Carrier, Cable	

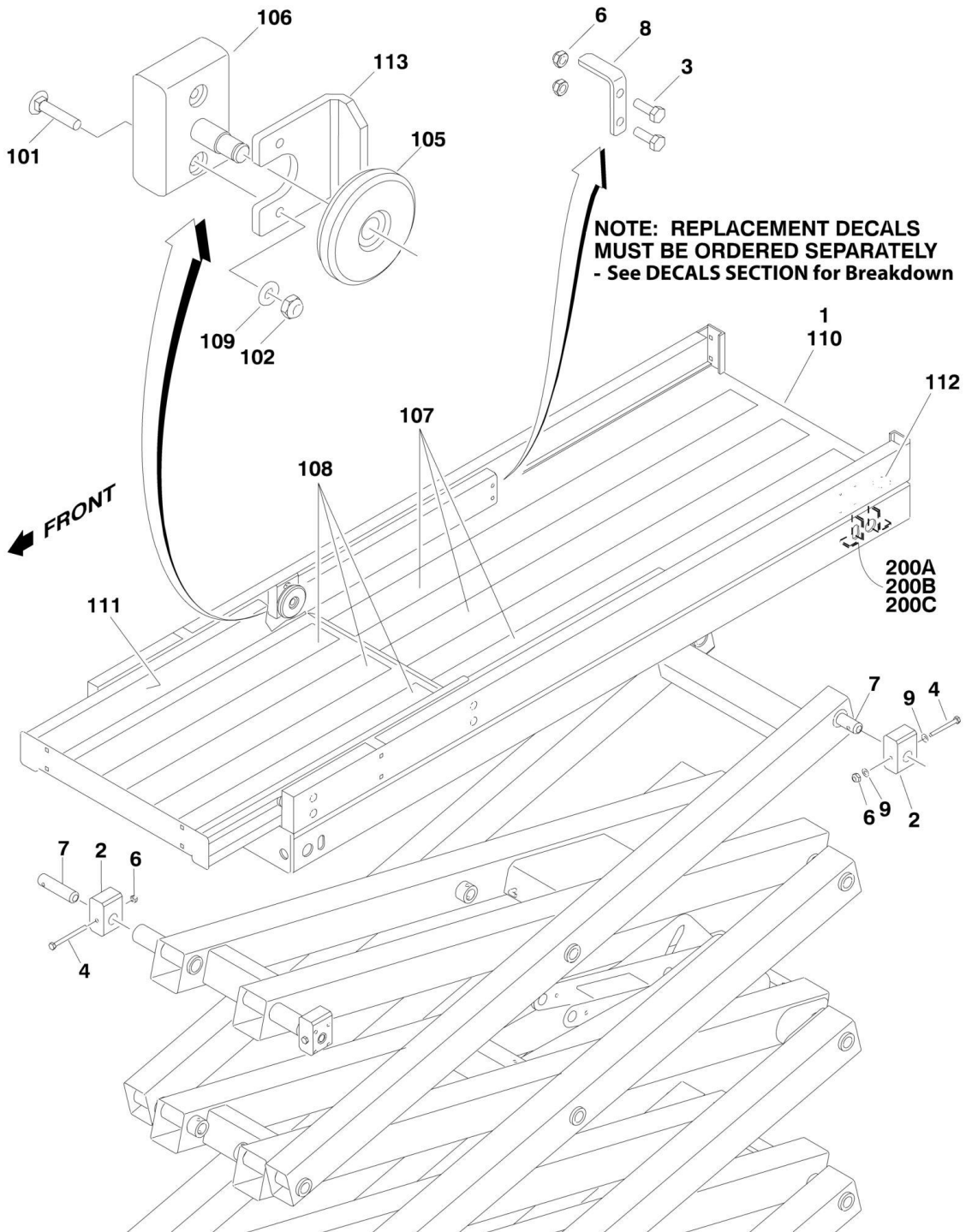
SECTION 3 - SCISSOR ARMS

ITEM	PART NUMBER	QTY	DESCRIPTION	REV
53	4812000	4	Flatwasher M10	
54	4071094	AR	Shim, Spacer	
55	3423170	1	Pin	
56	3291007	1	Locknut M10	
	2902475	1	Scissor Arm Kit - 2646ES/3246ES (Includes Items 1-10, 17, 18, 36, 49, 51 & 52)	L
		Ref	SCISSOR ARMS INSTALLATIONS - 2646ES/3246ES	
	0274879	Ref	Scissor Arms Installations (2646ES) with Standard Hydraulic Oil	D
	0275695	Ref	Scissor Arms Installations (2646ES) with Biodegradeable Hydraulic Oil	C
	0274881	Ref	Scissor Arms Installations (3246ES) with Standard Hydraulic Oil	D
	0275696	Ref	Scissor Arms Installations (3246ES) with Biodegradeable Hydraulic Oil	C
102	0701022	2	Bolt M10 x 70mm	
104	3200454	1	Mount, Switch	
105	3291005	2	Locknut M10	
107	3340957	2	Pad, Slide	
108	3423255	1	Pin, Sensor	
111	4191706	3	Screw M6 x 12mm	
114	1001092354	1	Switch, Rotary Angle Sensor (was p/n 4360526)	
115	1061034	1	Cable, Manual Descent (Not Shown)	
115	7020218	1	T-Handle (with 1/4in-20 Threads)	
115	70001878	1	T-Handle (with 5mm Threads)	
116	3321402	1	Nut, Jam 1/4in-28NF (Not Shown)	
117	4160078	1	Spring, Compression (Not Shown)	
118	4420070	AR	Tape, Anti-Skid (3 Pcs 41mm X 279mm Each)	
119	4420080	AR	Tape, Anti-Skid (1 Pc 60mm X 279mm) (Not Shown - Located on Bottom Step - Part of Frame)	

SECTION 4 - PLATFORM

SECTION 4 - PLATFORM

FIGURE 4-1. PLATFORM INSTALLATION



SECTION 4 - PLATFORM

FIGURE 4-1. PLATFORM INSTALLATION

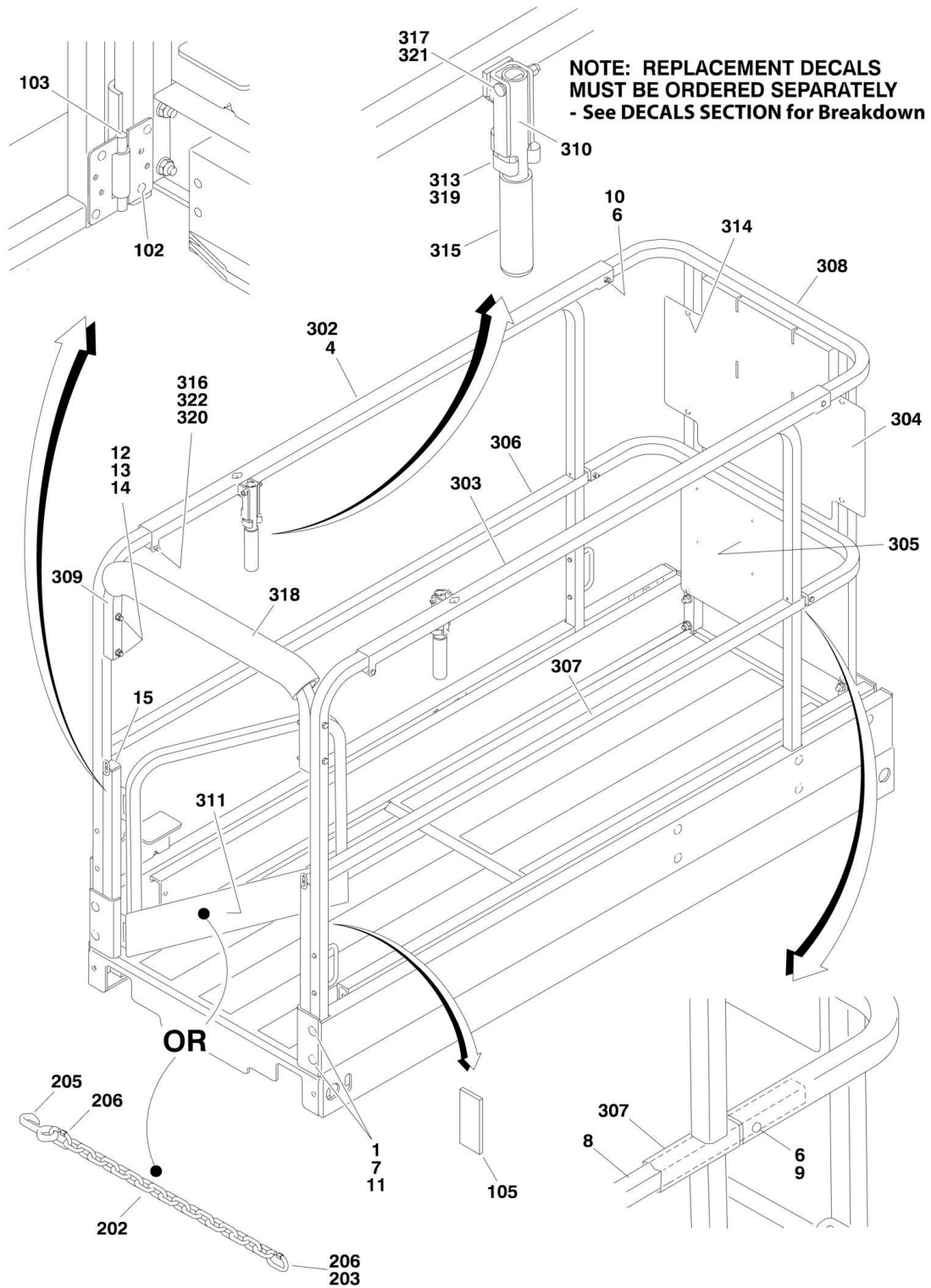
ITEM	PART NUMBER	QTY	DESCRIPTION	REV
		Ref	PLATFORM INSTALLATIONS	
		Ref	All Specs Except CE and Japanese Specs	
	0274817	Ref	Platform Installations (1930ES) (Original Equipment)	E
	1001134933	Ref	Platform Installations (1930ES) (Service Replacement)	A
	0274991	Ref	Platform Installations (2030ES/2630ES)	C
	0274930	Ref	Platform Installations (2646ES/3246ES)	B
		Ref	CE and Japanese Specs Only	
	0275029	Ref	Platform Installations (1930ES)	F
	0274992	Ref	Platform Installations (2030ES/2630ES)	C
	0274931	Ref	Platform Installations (2646ES/3246ES)	B
		Ref	Note: All versions are available on ANSI Export and Australian Specs.	
1		Ref	Platform Assembly (See Items 101-113 for Breakdown):	
1	1001134934	1	Platform Assembly (1930ES) (Service Replacement) (Original Equipment was p/n 0274818)	
1	0274971	1	Platform Assembly (2030ES/2630ES)	
1	0274929	1	Platform Assembly (2646ES/3246ES)	
2		Ref	Block, Slide Options:	
2	3340976	2	Block, Slide (1930ES) (Front Block)	
2	3340965	2	Block, Slide (1930ES) (Rear Block)	
2	1001134951	2	Sleeve, Spacer (1930ES) (Spacer Sleeve Used with Rear Block) (Service Replacement Platforms Only)	
2	0561520	4	Slide (2030ES/2630ES/2646ES/3246ES)	
3	3900351	4	Bolt M10 x 30mm	
4		Ref	Bolt M10 Options:	
4	0701022	2	Bolt 70mm Length (Front Slide Block - 1930ES)	
4	0701027	2	Bolt 100mm Length (Rear Slide Block - 1930ES) (was p/n 0701026 - 90mm Length)	
4	0701029	2	Bolt 120mm Length (Rear Slide Block - 1930ES) (Service Replacement Platform Only)	
4	0701024	2	Bolt 80mm Length (Front Slide Block - 2030ES/2630ES/2646ES/3246ES)	
4	0701027	2	Bolt 100mm Length (Rear Slide Block - 2030ES/2630ES/2646ES/3246ES)	
6	3291005	8	Locknut M10	
7		Ref	Pin Options:	
7	3423049	4	Pin All Machines except CE and Japanese Specs	
7	See Note	4	Pin CE and Japanese Spec Machines (Note: Refer to JLG Supplement p/n 3124288)	
8	3574067	2	Plate, Extension Stop	
9	4812000	4	Flatwasher M10	
		Ref	PLATFORM ASSEMBLY	
	1001134934	Ref	Platform Assembly (1930ES) (Original Equipment was p/n 0274818)	B
	1001134934	Ref	Platform Assembly (1930ES) (Service Replacement)	A
	0274971	Ref	Platform Assembly (2030ES/2630ES)	C
	0274929	Ref	Platform Assembly (2646ES/3246ES)	A
101	0630565	8	Bolt, Carriage M10 x 50mm	
102	3291005	8	Locknut M10	
105	3860118	4	Roller	
106	4340914	4	Mount	
107		Ref	Tape, Anti-Skid Options:	

SECTION 4 - PLATFORM

ITEM	PART NUMBER	QTY	DESCRIPTION	REV
107	4420071	3	Tape, Anti-Skid (1930ES)	
107	4420075	3	Tape, Anti-Skid (2030ES/2630ES)	
107	4420073	5	Tape, Anti-Skid (2646ES/3246ES)	
108		Ref	Tape, Anti-Skid Options:	
108	4420072	3	Tape, Anti-Skid (1930ES/2030ES/2630ES)	
108	4420074	5	Tape, Anti-Skid (2646ES/3246ES)	
109	4812000	8	Flatwasher M10	
110		Ref	Platform Weldment Options:	
110	1001134935	1	Platform Weldment (1930ES) (Service Replacement) (Original Equipment was p/n 3510888)	
110	3510892	1	Platform Weldment (2030ES/2630ES)	
110	3510890	1	Platform Weldment (2646ES/3246ES)	
111		Ref	Extension Weldment Options:	
111	4846768	1	Extension Weldment (1930ES/2030ES/2630ES)	
111	4846764	1	Extension Weldment (2646ES/3246ES)	
112	2540045	1	Grommet	
113	0903574	1	Bracket, Stop (Use with p/n 0274818 & 0274971 Platform Assemblies Only)	
		Ref	SLIDE BLOCK MOUNT REPAIR KITS	
200		Ref	Fixed Mount Repair Kit (Kit includes components and instructions to repair weld cracks in fixed mounting block supports on aluminum platforms)	
200A	2915241	1	Fixed Mount Repair Kit (1930ES)	
200B	2915240	1	Fixed Mount Repair Kit (2030ES/2630ES)	
200C	2915241	1	Fixed Mount Repair Kit (2646ES/3246ES)	

SECTION 4 - PLATFORM

FIGURE 4-2. RAIL (FIXED) INSTALLATION - 1930ES



SECTION 4 - PLATFORM

FIGURE 4-2. RAIL (FIXED) INSTALLATION - 1930ES

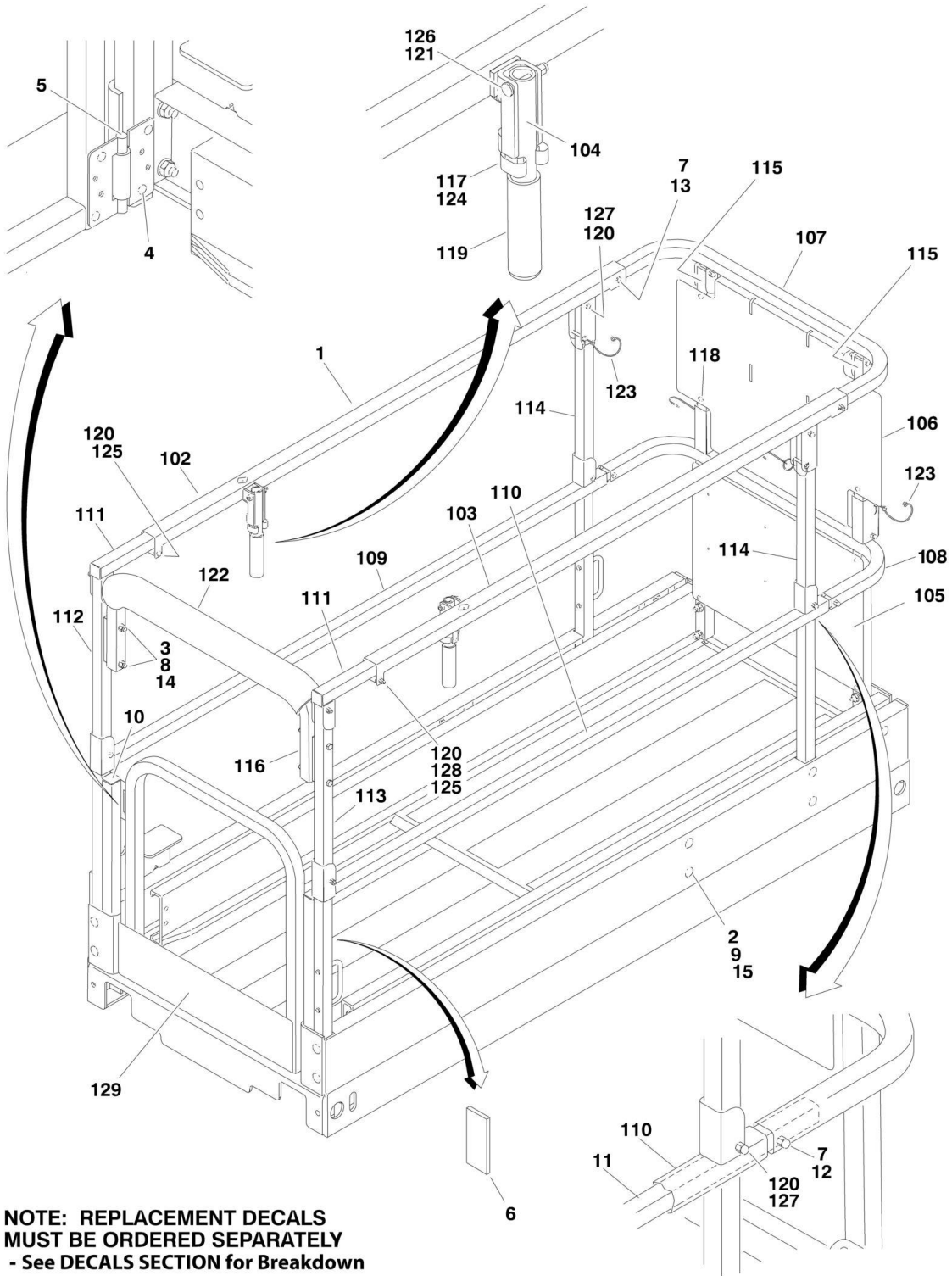
ITEM	PART NUMBER	QTY	DESCRIPTION	REV
		Ref	RAIL INSTALLATION - 1930ES	
	0274985	Ref	Rails with Gate Closure	C
	0274816	Ref	Rails with Chain Closure	D
1	0630565	12	Bolt, Carriage M10 x 55mm	
4		Ref	Rail Assembly Options (See Items 301-322 for Breakdown):	
4	2902448	1	Rails with Gate Closure	
4	2902496	1	Rails with Chain Closure	
6	3290606	4	Capnut M6	
7	3291005	12	Locknut M10	
8	3841716	2	Rod, Fiberglass	
9	4010616	2	Screw M6 x 40mm	
10	4010618	2	Screw M6 x 50mm	
11	4812000	12	Flatwasher M10	
12	0700823	4	Screw M8 x 75mm	
13	3290806	4	Capnut M8	
14	4811900	4	Flatwasher M8	
15	3520072	2	Cap-Plug	
	0274985	Ref	GATE CLOSURE COMPONENTS	C
102	2080040	8	Fastener, Huck	
103	2600281	2	Hinge	
105	3080007	1	Magnet, Gate	
	0274816	Ref	CHAIN CLOSURE COMPONENTS	D
202	1260136	1.75 ft/53cm	Chain (was 2ft/61cm)	
203	2820097	1.67 ft/51cm	Cover, Chain (was 2ft/61cm)	
205	1001101076	1	Snap Latch Repair Kit (was p/n 2940064) (Includes Item 206)	
206	3010088	2	Link	
		Ref	RAIL ASSEMBLY - 1930ES	
	2902496	Ref	Rails with Gate Closure	J
	2902448	Ref	Rails with Chain Closure	H
302	1271617	1	Rail, Slide (Left)	
303	1271618	1	Rail, Slide (Right)	
304	3576645	1	Plate, Billboard (Upper)	
305	3574184	1	Plate, Billboard (Lower)	
306	3641604	1	Rail, Side (Left)	
307	3641605	1	Rail, Side (Right)	
308	3641606	1	Rail, Extension Platform (Front)	
309	4569305	1	Rail (Rear)	
310	2560191	2	Handle, Extension	
311	4846723	1	Gate (2902496 Rail Assembly Only)	
313	1380132	2	Clip, Gripper	
314	2080040	8	Fastener, Huck	
315	2560088	2	Cover, Handle	
316	3290606	2	Capnut M6	
317	3290806	2	Capnut M8	
318	3340612	18 in/46cm	Pad, Rail	
319	3820019	2	Rivet	
320	3860111	2	Roller	

SECTION 4 - PLATFORM

ITEM	PART NUMBER	QTY	DESCRIPTION	REV
321	3900345	2	Screw M8 x 45mm	
322	4010618	2	Screw M6 x 50mm	
	2902449		Rails Kit - 1930ES (Includes Items 302-310)	J

SECTION 4 - PLATFORM

FIGURE 4-3. RAIL (FOLD-DOWN) INSTALLATION - 1930ES



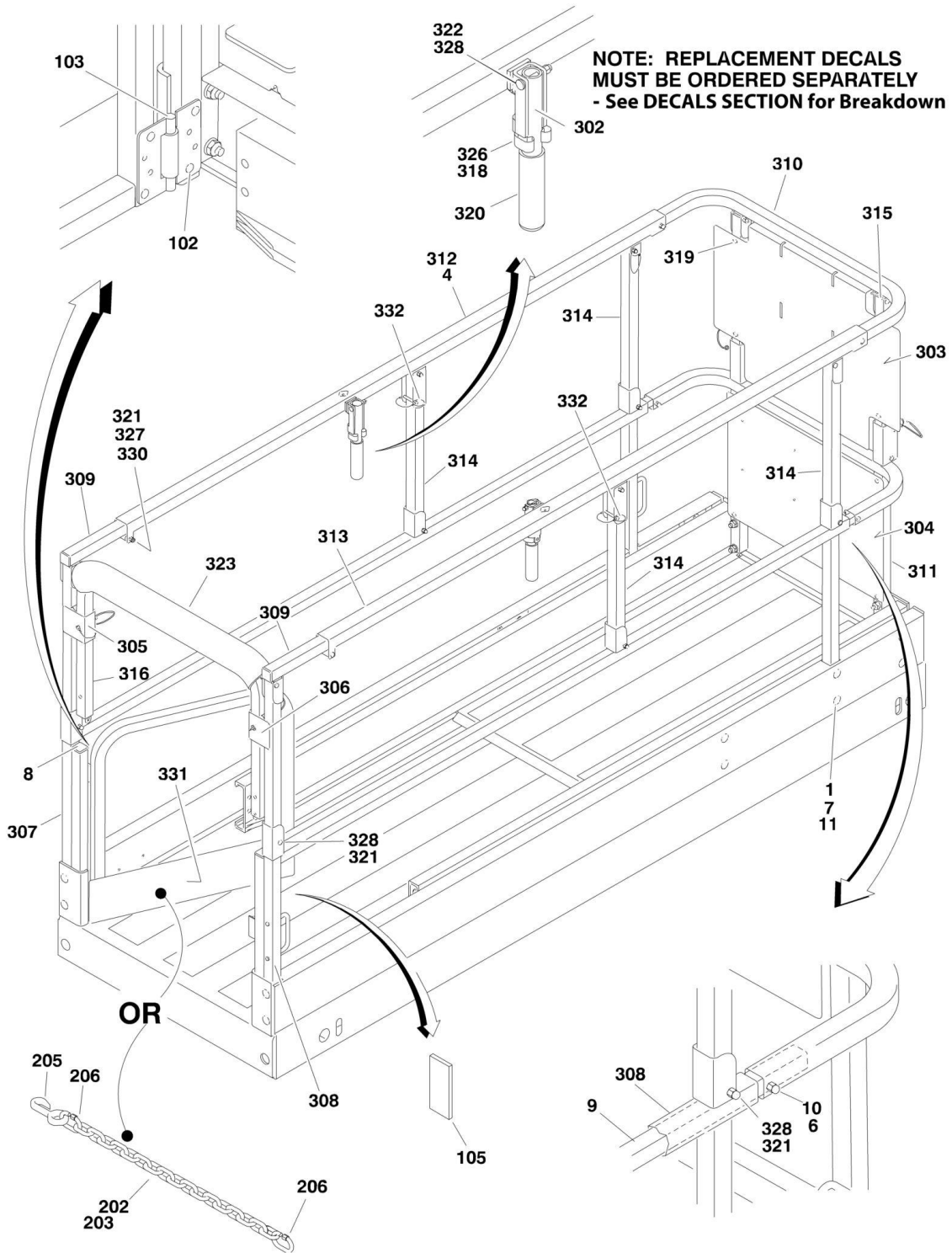
SECTION 4 - PLATFORM

FIGURE 4-3. RAIL (FOLD-DOWN) INSTALLATION - 1930ES

ITEM	PART NUMBER	QTY	DESCRIPTION	REV
		Ref	RAIL INSTALLATION - 1930ES	
	0275429	Ref	Rails with Gate Closure	B
1	2902535	1	Rail Assembly (See Items 101-129 for Breakdown)	
2	0630565	12	Bolt, Carriage M10 x 55mm	
3	0700825	4	Bolt M8 x 85mm	
4	2080040	8	Fastener, Huck	
5	2600281	2	Hinge	
6	3080007	1	Magnet, Gate	
7	3290606	4	Capnut M6	
8	3290806	4	Capnut M8	
9	3291005	12	Capnut M10	
10	3520072	4	Cap-Plug	
11	3841716	2	Tube, Slide (Mid)	
12	4010616	2	Screw M6 x 40mm	
13	4010618	2	Screw M6 x 50mm	
14	4811900	4	Flatwasher M8	
15	4812000	12	Flatwasher M10	
		Ref	RAIL ASSEMBLY - 1930ES	
	2902535	Ref	Rails with Gate Closure	G
102	1271617	1	Rail, Slide (Left)	
103	1271618	1	Rail, Slide (Right)	
104	2560191	2	Handle, Extension	
105	3574184	1	Plate, Billboard (Lower)	
106	3576932	1	Plate, Billboard (Upper)	
107	3641619	1	Rail (Front Upper)	
108	3641620	1	Rail (Front Mid)	
109	3641650	1	Rail (Left Lower Side)	
110	3641651	1	Rail (Right Lower Side)	
111	3641652	2	Rail (Both Upper Sides)	
112	3641653	1	Rail (Left Rear Upper)	
113	3641654	1	Rail (Right Rear Upper)	
114	4568667	2	Tube, Folding (Both Mid Side)	
115	4569404	2	Tube, Folding (Both Front)	
116	4569428	1	Rail (Rear)	
117	1380132	2	Clip, Gripper	
118	2080040	8	Fastener, Huck	
119	2560088	2	Cover, Handle	
120	3290606	14	Capnut M6	
121	3290806	2	Capnut M8	
122	3340612	18	Pad, Rail	
		in/46cm		
123	3423278	4	Snap Pin/Lanyard Kit	
124	3820019	2	Rivet	
125	3860111	2	Roller	
126	3900345	2	Capscrew M8 x 45mm	
127	4010617	12	Screw M6 x 45mm	
128	4010618	2	Screw M6 x 50mm	
129	4846723	1	Gate	
	2902536		Rails Kit - 1930ES (Includes Items 102-116)	H

SECTION 4 - PLATFORM

FIGURE 4-4. RAIL INSTALLATION - 2030ES/2630ES



SECTION 4 - PLATFORM

FIGURE 4-4. RAIL INSTALLATION - 2030ES/2630ES

ITEM	PART NUMBER	QTY	DESCRIPTION	REV
		Ref	RAIL INSTALLATION - 2030ES/2630ES	
	0274944	Ref	Rails with Gate Closure	B
	0274943	Ref	Rails with Chain Closure	D
1	0630565	12	Bolt, Carriage M10 x 55mm	
4		Ref	Rail Assembly Options (See Items 301-332 for Breakdown):	
4	2902493	1	Rails with Gate Closure	
4	2902492	1	Rails with Chain Closure	
6	3290606	2	Capnut M6	
7	3291005	12	Locknut M10	
8	3520072	4	Cap-Plug	
9	3841716	2	Rod, Fiberglass	
10	4010616	2	Screw M6 x 40mm	
11	4812000	12	Flatwasher M10	
	0274944	Ref	GATE CLOSURE COMPONENTS	B
102	2080040	8	Fastener, Huck	
103	2600281	2	Hinge	
105	3080007	1	Magnet, Gate	
	0274943	Ref	CHAIN CLOSURE COMPONENTS	D
202	1260136	1.67 ft/51cm	Chain (was 2ft/61cm)	
203	2820097	1.58 ft/49cm	Cover, Chain (was 2ft/61cm)	
205	1001101076	1	Snap Latch Repair Kit (was p/n 2940064) (Includes Item 206)	
206	3010088	2	Link	
		Ref	RAIL ASSEMBLY - 2030ES/2630ES	
	2902493	Ref	Rails with Gate Closure	L
	2902492	Ref	Rails with Chain Closure	L
302	2560191	2	Handle, Extension	
303	3576932	1	Plate, Billboard (Upper)	
304	3574184	1	Plate, Billboard (Lower)	
305	3641614	1	Rail, Upright (Left Rear)	
306	3641615	1	Rail, Upright (Right Rear)	
307	3641616	1	Rail, Side (Left)	
308	3641617	1	Rail, Side (Right)	
309	3641618	2	Rail, Platform (Top)	
310	3641619	1	Rail, Extension (Top)	
311	3641620	1	Rail, Extension (Mid)	
312	3641621	1	Rail, Slide (Left)	
313	3641622	1	Rail, Slide (Right)	
314	4568667	4	Tube, Folding Post (Platform)	
315	4569404	2	Tube, Folding Post (Extension)	
316	4569319	1	Rail (Rear)	
318	1380132	2	Clip, Gripper	
319	2080040	10	Fastener, Huck	
320	2560088	2	Handle	
321	3290606	20	Capnut M6	
322	3290806	2	Capnut M8	
323	3340612	18 in/46cm	Pad, Rail	
326	3820019	2	Rivet	

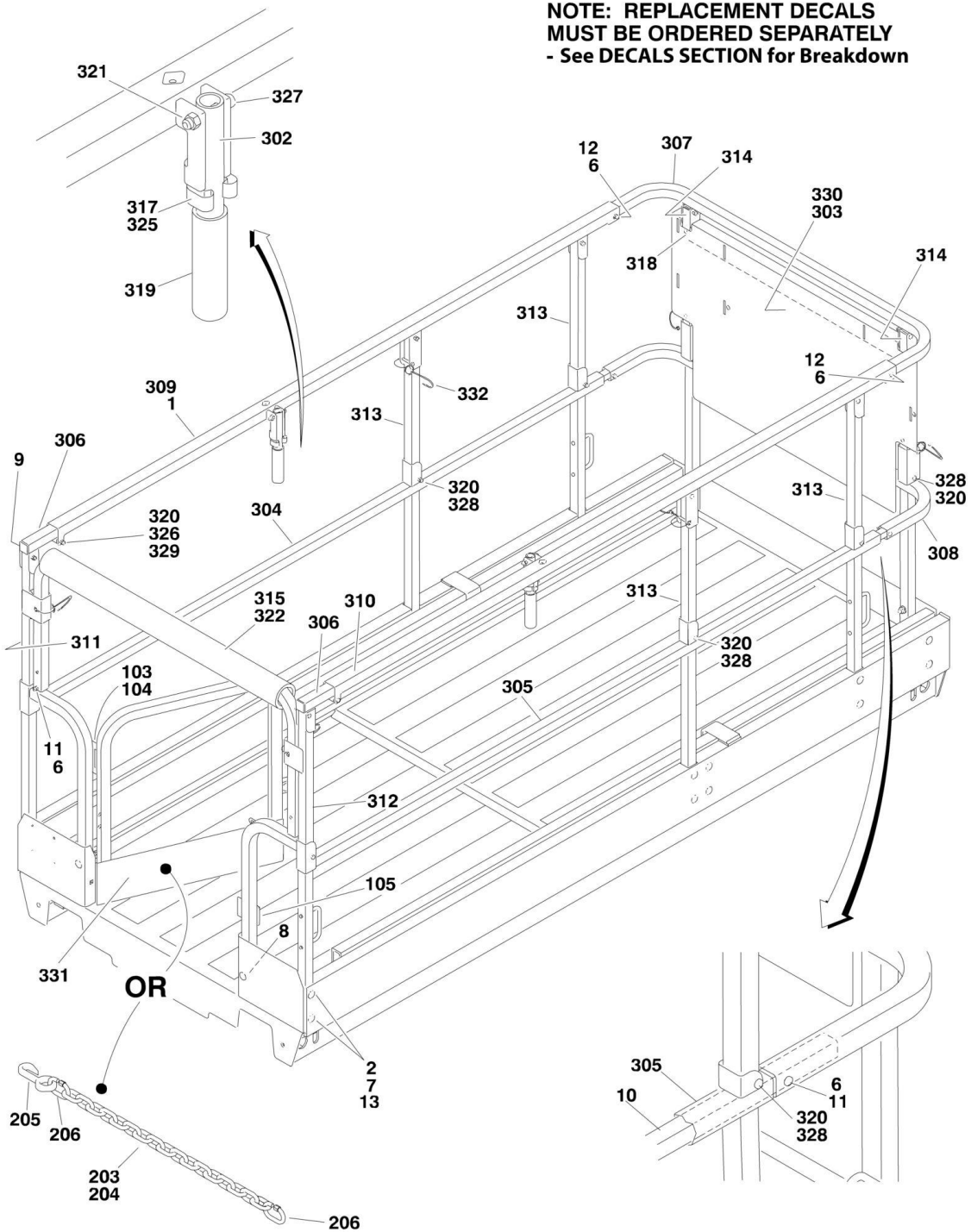
SECTION 4 - PLATFORM

ITEM	PART NUMBER	QTY	DESCRIPTION	REV
327	3860111	2	Roller	
328	3900345	2	Screw M8 x 45mm	
329	4010617	24	Screw M6 x 45mm	
330	4010618	2	Screw M6 x 50mm	
331	4846723	1	Gate (2902493 Assembly Only)	
332	3423278	4	Snap Pin/Lanyard Kit	
	2902494		Rails Kit - 2030ES/2630ES (Includes Items 302-316)	Q

SECTION 4 - PLATFORM

FIGURE 4-5. RAIL INSTALLATION - 2646ES/3246ES

**NOTE: REPLACEMENT DECALS
MUST BE ORDERED SEPARATELY
- See DECALS SECTION for Breakdown**



SECTION 4 - PLATFORM

FIGURE 4-5. RAIL INSTALLATION - 2646ES/3246ES

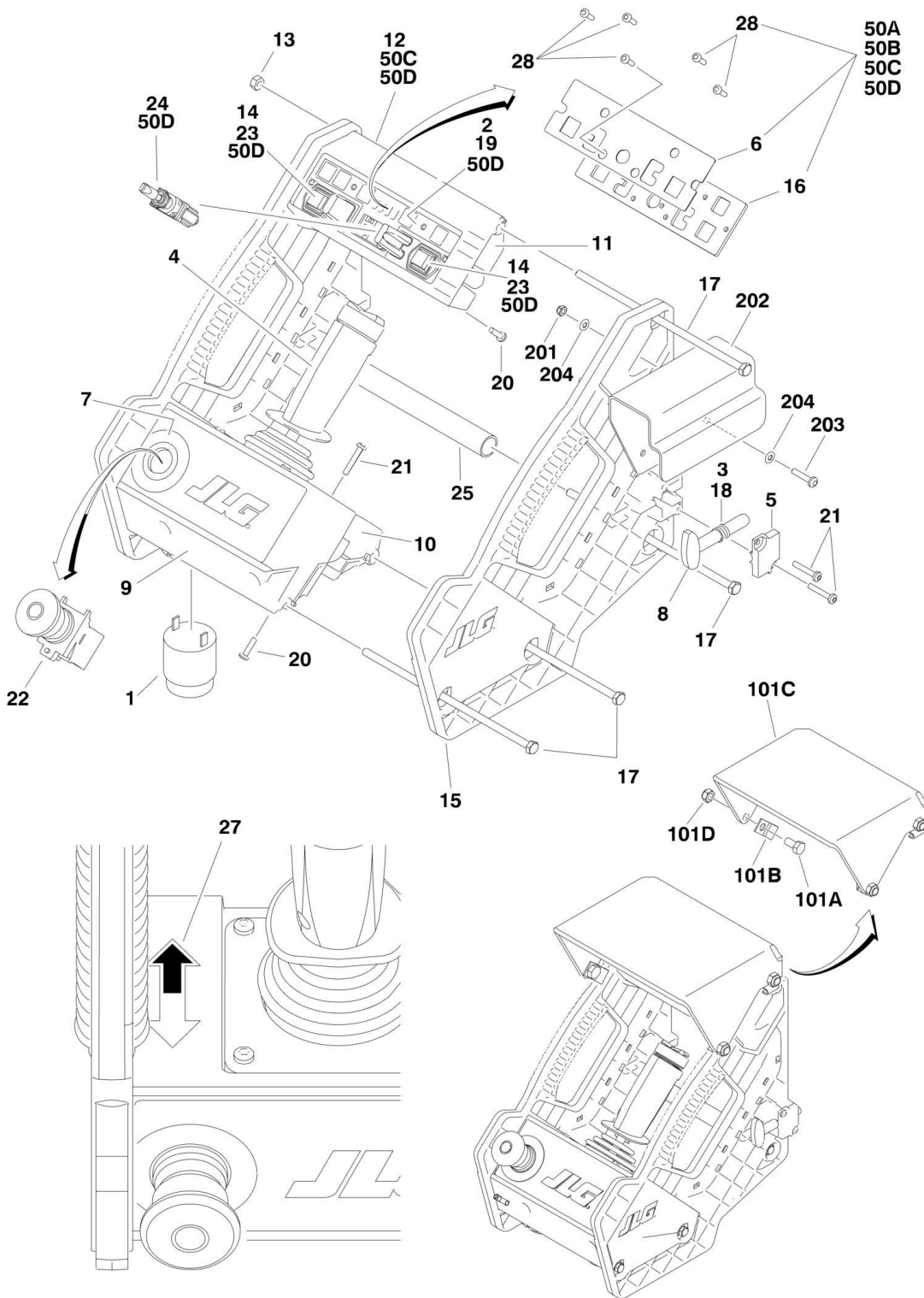
ITEM	PART NUMBER	QTY	DESCRIPTION	REV
		Ref	RAIL INSTALLATION - 2646ES/32646ES	
	0274932	Ref	Rails with Gate Closure	A
	0274933	Ref	Rails with Chain Closure	C
1		Ref	Rail Assembly Options (See Items 301-332 for Breakdown):	
1	2902490	1	Rails with Gate Closure	
1	2902491	1	Rails with Chain Closure	
2	0630565	18	Bolt, Carriage M10 x 55mm	
6	3290606	2	Capnut M6	
7	3291005	18	Locknut M10	
8	3300477	2	Nut, Acorn	
9	3520072	2	Cap-Plug	
10	3841716	2	Rod, Fiberglass	
11	4010616	3	Screw M6 x 40mm	
12	4010618	3	Screw M6 x 50mm	
13	4812000	18	Flatwasher M10	
	0274932	Ref	GATE CLOSURE COMPONENTS	A
103	2080040	8	Fastener, Huck	
104	2600281	2	Hinge	
105	3080007	1	Magnet, Gate	
	0274933	Ref	CHAIN CLOSURE COMPONENTS	C
203	1260136	1.75 ft/53cm	Chain (was 2ft/61cm)	
204	2820097	1.67 ft/51cm	Cover, Chain (was 2ft/61cm)	
205	1001101076	1	Snap Latch Repair Kit (was p/n 2940064) (Includes Item 206)	
206	3010088	2	Link	
		Ref	RAIL ASSEMBLY - 2030ES/2630ES	
	2902490	Ref	Rails with Gate Closure	J
	2902491	Ref	Rails with Chain Closure	J
302	2560191	2	Handle, Extension	
303	3576646	1	Plate, Billboard	
304	3641607	1	Rail, Side (Left Lower)	
305	3641608	1	Rail, Side (Right Lower)	
306	3641609	2	Rail, Platform (Top)	
307	3641610	1	Rail, Extension (Top)	
308	3641611	1	Rail, Extension (Mid)	
309	3641612	1	Rail, Slide (Left)	
310	3641613	1	Rail, Slide (Right)	
311	3641614	1	Rail, Side (Left Rear)	
312	3641615	1	Rail, Side (Right Rear)	
313	4568667	4	Tube, Folding Post (Platform)	
314	4569404	2	Tube, Folding Post (Extension)	
315	4569310	1	Rail (Rear)	
317	1380132	2	Clip, Gripper	
318	2080040	6	Fastener, Huck	
319	2560088	2	Handle	
320	3290606	18	Capnut M6	
321	3290806	2	Capnut M8	
322	3340612	18 in/46cm	Pad, Rail	

SECTION 4 - PLATFORM

ITEM	PART NUMBER	QTY	DESCRIPTION	REV
325	3820019	2	Rivet	
326	3860111	2	Roller	
327	3900345	2	Screw M8 x 45mm	
328	4010617	24	Screw M6 x 45mm	
329	4010618	2	Screw M6 x 50mm	
330	4420037	AR	Tape, Insulation	
331	4846723	1	Gate (2902490 Assembly Only)	
332	3423278	4	Snap Pin/Lanyard Kit	
	2902489		Rails Kit - 2646ES/3246ES (Includes Items 302-315)	O

SECTION 4 - PLATFORM

FIGURE 4-6. PLATFORM CONSOLE BOX INSTALLATION



SECTION 4 - PLATFORM

FIGURE 4-6. PLATFORM CONSOLE BOX INSTALLATION

ITEM	PART NUMBER	QTY	DESCRIPTION	REV
		Ref	CONSOLE BOX ASSEMBLY	
	0272778See Note	Ref	All Specs except CE Spec (USA Built Machines) (SN 0200152825 through 0200163755)	I
	0272778See Note	Ref	All Specs except CE Spec (Belgium Built Machines) (SN 1200008481 through 1200011997)	I
	1001091153	Ref	All Specs except CE Spec (USA Built Machines) (SN 0200163756 through 0200198014)	F
	1001091153	Ref	All Specs except CE Spec (Belgium Built Machines) (SN 1200011998 to Present)	F
	0272779See Note	Ref	CE Spec (USA Built Machines) (SN 0200152825 through 0200163755)	I
	0272779See Note	Ref	CE Spec (Belgium Built Machines) (SN 1200008481 through 1200011997)	I
	1001091154	Ref	CE Spec (USA Built Machines) (SN 0200163756 through 0200198014)	F
	1001091154	Ref	CE Spec (Belgium Built Machines) (SN 1200011998 to Present)	F
		Ref	Note: When replacing complete assembly, use p/n 1001091153 for All Specs except CE Spec Machines. Use p/n 1001091154 for CE Specs Machines.	
1	0140011	1	Alarm	
2	Item 50D	AR	Platform Box Control Module (was p/n 1600439)	
3	1380156	1	E-Clip	
4		Ref	Drive/Steer Controller Assembly Options:	
4	1001134438	1	Drive/Steer Controller Assembly USA Built Machines (Original Equipment was p/n 1600345 - See DRIVE/STEER CONTROLLER ASSEMBLY for Breakdown) (For Service Replacement Components p/n 1600402 & 100113443, DRIVE/STEER CONTROLLER ASSEMBLY for Breakdown) (SN 0200152825 through 0200172401)	
4	1001134438	1	Drive/Steer Controller Assembly Belgium Built Machines (Original Equipment was p/n 1600345 - See DRIVE/STEER CONTROLLER ASSEMBLY for Breakdown) (For Service Replacement Components p/n 1600402 & 100113443, DRIVE/STEER CONTROLLER ASSEMBLY for Breakdown) (SN 120008481 through 1200015408)	
4	1001134438	1	Drive/Steer Controller Assembly USA Built Machines (See DRIVE/STEER CONTROLLER ASSEMBLY for Breakdown) (Original Equipment was p/n 1600402) (SN 0200172402 through 0200198014)	
4	1001134438	1	Drive/Steer Controller Assembly Belgium Built Machines (See DRIVE/STEER CONTROLLER ASSEMBLY for Breakdown) (Original Equipment was p/n 1600402) (SN 1200015409 to Present)	
5	1671098	1	Latch	
6		Ref	Decal - Icon Options:	
6	See Note	1	USA Built Machines (Note: Use Items 50C or 50D) (SN 0200152825 through 0200163755)	
6	See Note	1	Belgium Built Machines (Note: Use Items 50C or 50D) (SN 120008481 through 1200011997)	
6	1705674	1	Decal - Icon All Specs except CE Spec	
6	1705675	1	Decal - Icon CE Spec	
6	See Note	1	USA Built Machines (Note: Use Items 50B or 50C) (SN 0200163756 through 0200198014)	
6	See Note	1	Belgium Built Machines (Note: Use Items 50B or 50C) (SN 1200011998 to Present)	
6	1001091272	1	Decal - Icon All Specs except CE Spec	

SECTION 4 - PLATFORM

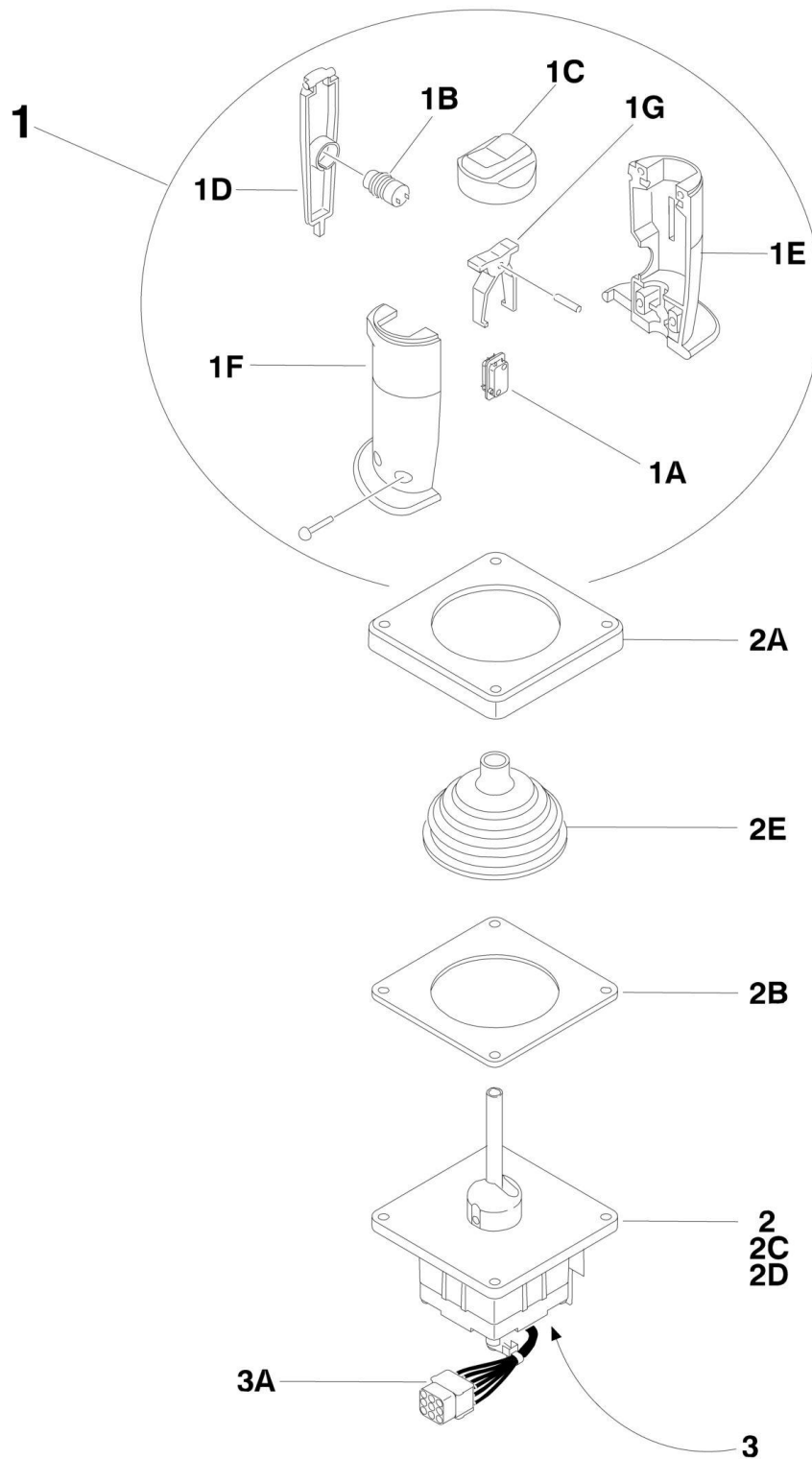
ITEM	PART NUMBER	QTY	DESCRIPTION	REV
6	1001091275	1	Decal - Icon CE Spec	
7	1705676	1	Decal - Emergency Stop Ring	
8	2560179	1	Handle, Latch	
9		Ref	Housing, Joystick (Lower) Options:	
9	1001091390	1	Housing, Joystick (Lower) USA Built Machines (was p/n 2760113) (SN 0200152825 through 0200163755)	
9	1001091390	1	Housing, Joystick (Lower) Belgium Built Machines (was p/n 2760113) (SN 120008481 through 1200011997)	
9	1001091277	1	Housing, Joystick (Lower) USA Built Machines (SN 0200163756 through 0200198014)	
9	1001091277	1	Housing, Joystick (Lower) Belgium Built Machines (SN 1200011998 to Present)	
10		Ref	Mount, Joystick Options:	
10	1001091390	1	Mount, Joystick USA Built Machines (was p/n 2760114) (SN 0200152825 through 0200163755)	
10	1001091390	1	Mount, Joystick Belgium Built Machines (was p/n 2760114) (SN 120008481 through 1200011997)	
10	1001091278	1	Mount, Joystick USA Built Machines (SN 0200163756 through 0200198014)	
10	1001091278	1	Mount, Joystick Belgium Built Machines (SN 1200011998 to Present)	
11	1001091279	1	Housing, Module Mounting (Lower) (was p/n 2760115)	
12		Ref	Housing, Module Mounting (Upper) Options:	
12	See Note	1	USA Built Machines (was p/n 2760116) (Note: Use Items 50C or 50D) (SN 0200152825 through 0200163755)	
12	See Note	1	Belgium Built Machines (was p/n 2760116) (Note: Use Items 50C or 50D) (SN 120008481 through 1200011997)	
12	1001091280	1	Housing, Module Mounting (Upper) USA Built Machines (SN 0200163756 through 0200198014)	
12	1001091280	1	Housing, Module Mounting (Upper) Belgium Built Machines (SN 1200011998 to Present)	
13	3300473	4	Nut M6	
14	3340968	2	Button (Includes Black Button Only)	
15	3380475	2	Panel, Side	
16		Ref	Plate, Decal Options:	
16	See Note	1	Plate USA Built Machines (was p/n 3574249) (Note: Use Items 50C or 50D) (SN 0200152825 through 0200163755)	
16	See Note	1	Plate Belgium Built Machines (was p/n 3574249) (Note: Use Items 50C or 50D) (SN 120008481 through 1200011997)	
16	See Note	1	Plate USA Built Machines (Note: Use Items 50B, 50C or 50D) (SN 0200163756 through 0200198014)	
16	See Note	1	Plate Belgium Built Machines (Note: Use Items 50B, 50C or 50D) (SN 1200011998 to Present)	
17	3900333	4	Screw M6 x 190mm	
18	4160203	1	Spring, Compression	
19	4191306	5	Screw M3.5 x 12mm	
20	4191407	8	Screw M4 x 16mm	
21	4191409	6	Screw M4 x 25mm	
22	4360475	1	Switch, Emergency Stop	
22	7020175	1	Cap	
22	7020176	1	Block, Contact	
23	4360538	2	Strip, Switch and Membrane	
24	4360539	1	Switch, Toggle	
25	4568738	1	Tube, Spacer	
26	4922870	1	Harness, Platform Box (Not Shown - See ELECTRICAL	

SECTION 4 - PLATFORM

ITEM	PART NUMBER	QTY	DESCRIPTION	REV
			SECTION for Breakdown)	
27	1703819	1	Decal - Directional Arrow	
28		Ref	Screw M3.5 x 12mm Options:	
28	4191306	6	Screw USA Built Machines (SN 0200152825 through 0200163755)	
28	4191306	6	Screw Belgium Built Machines (SN 1200008481 through 1200011997)	
28	1001091396	6	Screw USA Built Machines (SN 0200163756 through 0200198014)	
28	1001091396	6	Screw Belgium Built Machines (SN 1200011998 to Present)	
50		Ref	Kit Options:	
50A	1001091967	1	Decal Kit for USA Built Machines (Includes Items 6, 16 & 28) (SN 02000152825 through 0200163755)	A
50A	1001091967	1	Decal Kit for Belgium Built Machines (Includes Items 6, 16 & 28) (SN 1200008481 through 1200011997)	A
		Ref	Note: Two Item 6's are included in the kit - 1 for All Specs Except CE and 1 for CE Specs. Use decal required for applicable spec. Dispose of the decal not used.	
		Ref	Note: If Housing has been replaced with Kit 1001091393 or Kit 1001091965, use Decal Kit p/n 1001091968	
50B	1001091968	1	Decal Kit for USA Built Machines (Includes Items 6, 16 & 28) (SN 0200163756 through 0200198014)	A
50B	1001091968	1	Decal Kit for Belgium Built Machines (Includes Items 6, 16 & 28) (SN 1200011998 to Present)	A
		Ref	Note: Two Item 6's are included in the kit - 1 for All Specs Except CE and 1 for CE Specs. Use decal required for applicable spec. Dispose of the decal not used.	
50C	1001091393	1	Decal and Housing Kit (Includes Items 6, 12, 16 & 28)	C
		Ref	Note: Two Item 6's are included in the kit - 1 for All Specs Except CE and 1 for CE Specs. Use decal required for applicable spec. Dispose of the decal not used.	
50D	1001091965	1	Decal, Housing and PC Board Kit (Includes Items 2, 6, 12, 14, 16, 19, 23, 24 & 28)	C
		Ref	Note: Two Item 6's are included in the kit - 1 for All Specs Except CE and 1 for CE Specs. Use decal required for applicable spec. Dispose of the decal not used.	
	0272878	Ref	Anti-vandalism Package Installation (Not Shown)	A
	1671131	1	Cover, Lockable Platform Console Box	
	1001118216	Ref	PLATFORM BOX COVER INSTALLATION (was p/n 0273841)	A-C
101		Ref	Kit, Platform Box Shield Options:	
101	1001118215		Original Equipment (was p/n 0273841)	
101	1001118215		Service Replacement	
101A	0760808	4	Bolt M8 x 16mm	
101B	1380159	4	Clip, Cover Mounting	
101C	Item 101	1	Cover, Platform Box	
101D	3290805	4	Locknut M8	
	0274386	Ref	PLATFORM BOX HANGER INSTALLATION (OPTIONAL)	B
201	3290405	2	Locknut M4	
202	3575794	1	Plate, Bracket	
203	3900338	2	Screw M4 x 20mm	
204	4811400	4	Flatwasher M4	

SECTION 4 - PLATFORM

FIGURE 4-7. DRIVE/STEER CONTROLLER ASSEMBLY (USA BUILT MACHINES AND BELGIUM BUILT MACHINES) (SN 0200152825 through 0200172401, SN 1200008481 through 1200015408)



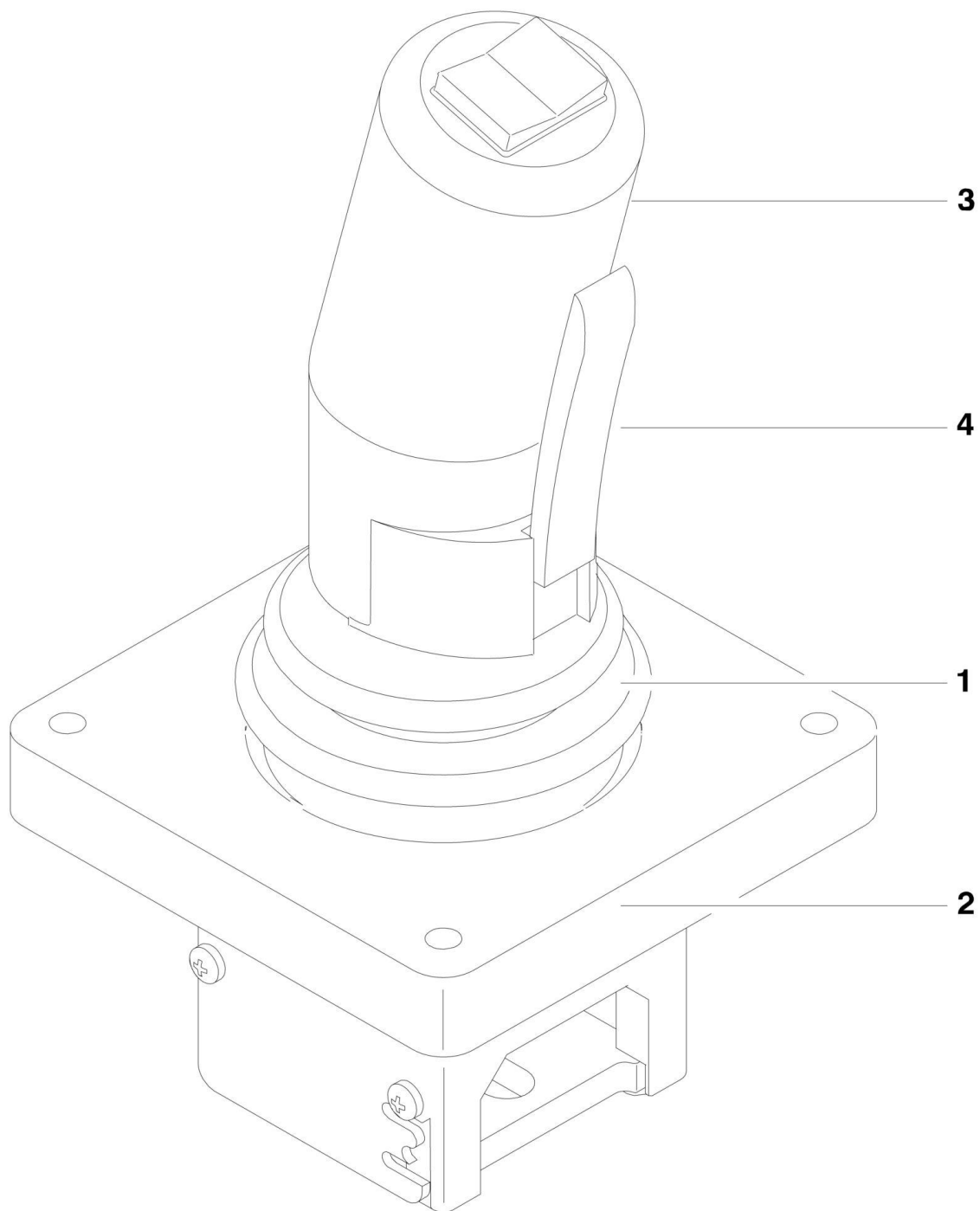
SECTION 4 - PLATFORM

FIGURE 4-7. DRIVE/STEER CONTROLLER ASSEMBLY (USA BUILT MACHINES AND BELGIUM BUILT MACHINES) (SN 0200152825 through 0200172401, SN 1200008481 through 1200015408)

ITEM	PART NUMBER	QTY	DESCRIPTION	REV
	See Note	Ref	CONTROLLER ASSEMBLY Note: Original Equipment controller p/n 1600345 may have been replaced with Service Replacement controller p/n 1001134438. Visually identify controller before ordering parts.	A
		Ref		
1	7020551	1	Grip Assembly	
1A	7020500	2	Switch, Steer Rocker	
1B	7020501	1	Switch, Enable Push Button	
1C	7003790	1	Cap, Rubber Rocker (Includes Lock Ring)	
1D	7011997	1	Trigger	
1E	Not Available	1	Grip - Right Half	
1F	Not Available	1	Grip - Left Half	
1G	Not Available	1	Actuator, Switch	
2	Not Available	1	Handle/Housing Assembly	
2A	7020552	1	Bezel	
2B	7020553	1	Gasket	
2C	7020554	1	Spring, Centering	
2D	7020555	1	Foot, Centering	
2E	7020556	1	Boot, Rubber	
3	Not Available	1	Electrical Assembly (Not Shown)	
3A	4460266	1	Connector, Receptacle - 9 Pin	
3A	4460226	7	Socket, Female	
3A	4460265	1	Plug, Male-9 Position (Part of Platform Box Harness)	
3A	4460227	7	Pin, Male (Part of Platform Box Harness)	

SECTION 4 - PLATFORM

FIGURE 4-8. DRIVE/STEER CONTROLLER ASSEMBLY(USA BUILT MACHINES AND BELGIUM BUILT MACHINES) (SN 0200172402 through 0200198014, SN 1200015409 to Present)



SECTION 4 - PLATFORM

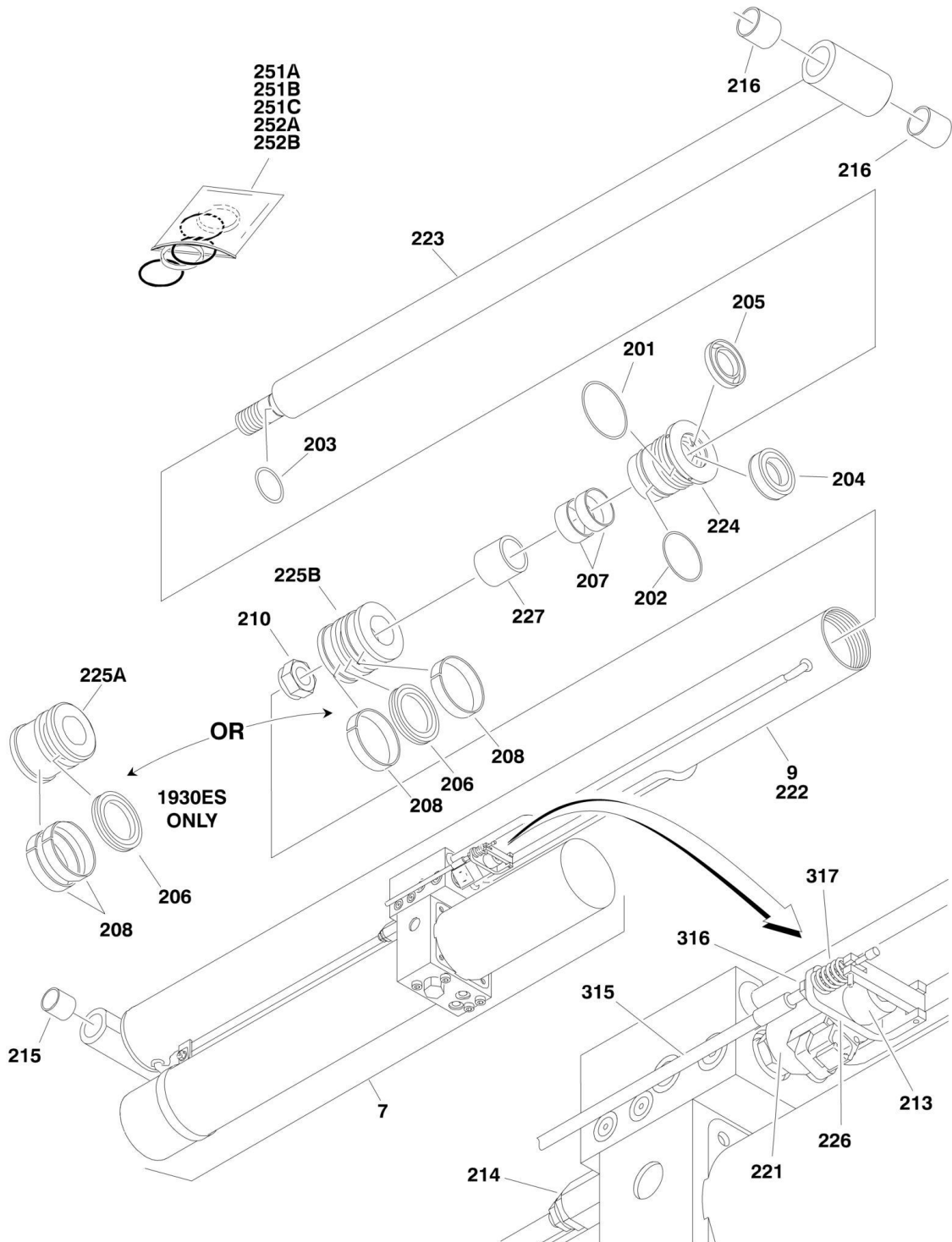
FIGURE 4-8. DRIVE/STEER CONTROLLER ASSEMBLY(USA BUILT MACHINES AND BELGIUM BUILT MACHINES) (SN 0200172402 through 0200198014, SN 1200015409 to Present)

ITEM	PART NUMBER	QTY	DESCRIPTION	REV
	See Note	1	DRIVE/STEER CONTROLLER ASSEMBLY (Note: Use p/n 1001134438 as replacement (was p/n 1600402)).	A
1	70001250	1	Boot, Panel	
2	70001252	1	Gasket, Mounting	
2	70001251	1	Bezel, Mounting	
3	70003650	1	Handle Repair Kit (Includes handle gasket, item #4 push button and item #4 lever installed in front handle half, back handle half, top actuator, boot and hardware.)	
3	70000084	1	Cap, Rubber	
3	70000082	1	Microswitch	
3	7027766	1	Ring, Retaining	
3	7027365	1	Actuator, Handle	
3	70001253	1	Gasket, Handle	
3	70000683	4	Washer, Neoprene	
3	70000685	2	Spacer, Plastic	
3	70000686	2	Screw (Top)	
3	70000684	2	Screw (Bottom)	
4	7027367	1	Switch, Push button	
4	7027765	1	Lever, Enable	

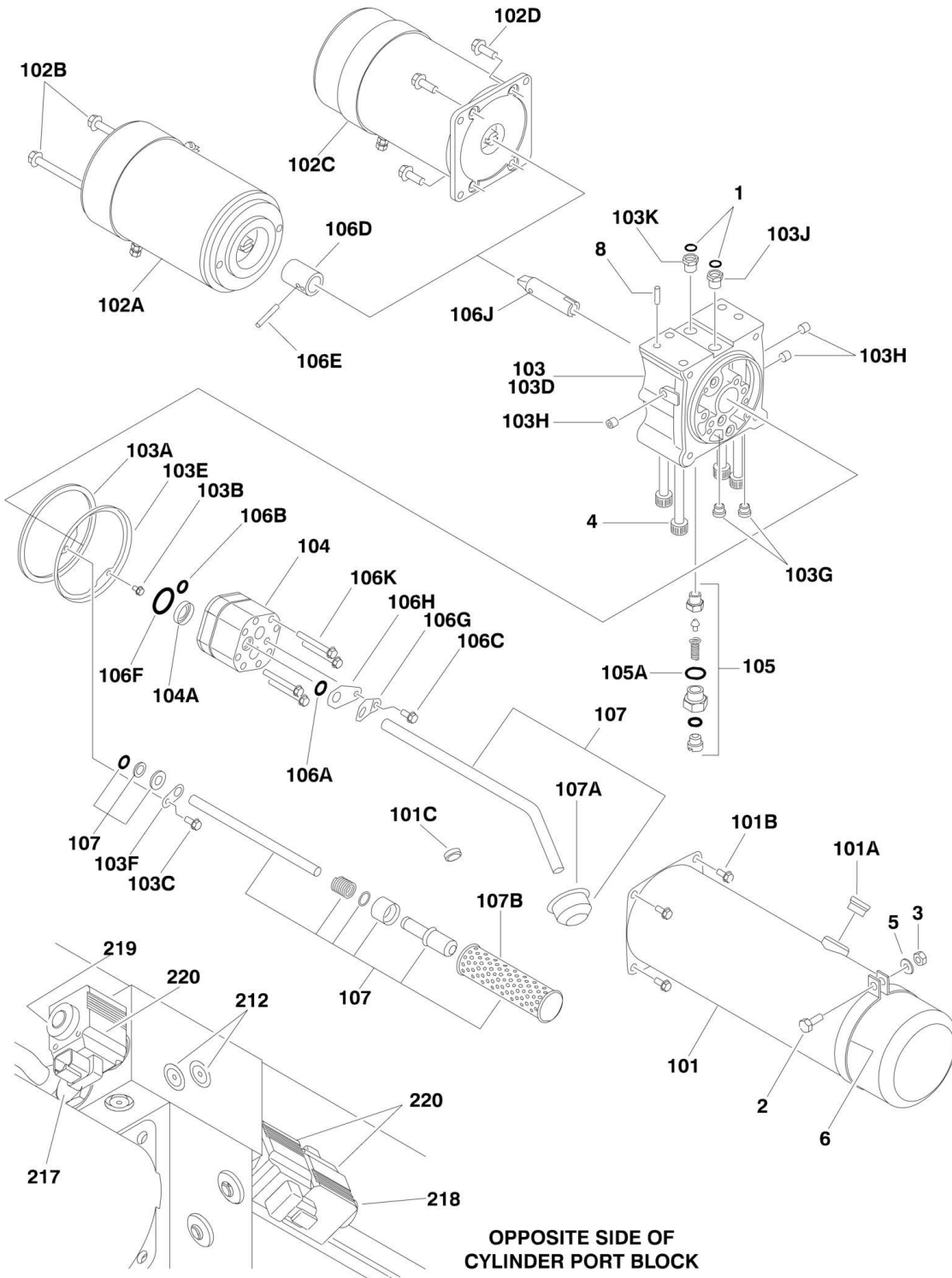
SECTION 5 - CYLINDER

SECTION 5 - CYLINDER

FIGURE 5-1. LIFT CYLINDER ASSEMBLY



SECTION 5 - CYLINDER



SECTION 5 - CYLINDER

FIGURE 5-1. LIFT CYLINDER ASSEMBLY

ITEM	PART NUMBER	QTY	DESCRIPTION	REV
		Ref	LIFT CYLINDER ASSEMBLY	
	1684484	Ref	Lift Cylinder Assembly 1930ES with Standard Hydraulic Oil	D
	1684526	Ref	Lift Cylinder Assembly 1930ES with Biodegradeable Hydraulic Oil	C
	1684487	Ref	Lift Cylinder Assembly 2030ES with Standard Hydraulic Oil	D
	1684527	Ref	Lift Cylinder Assembly 2030ES with Biodegradeable Hydraulic Oil	C
	1684488	Ref	Lift Cylinder Assembly 2630ES with Standard Hydraulic Oil	D
	1684528	Ref	Lift Cylinder Assembly 2630ES with Biodegradeable Hydraulic Oil	C
	1684489	Ref	Lift Cylinder Assembly 2646ES with Standard Hydraulic Oil	D
	1684529	Ref	Lift Cylinder Assembly 2646ES with Biodegradeable Hydraulic Oil	C
	1684490	Ref	Lift Cylinder Assembly 3246ES with Standard Hydraulic Oil	D
	1684530	Ref	Lift Cylinder Assembly 3246ES with Biodegradeable Hydraulic Oil	C
1	7023577	2	O-Ring	
2	Not Available	1	Capscrew (All except 1930ES Models)	
3	Not Available	1	Locknut (All except 1930ES Models)	
4	7023589	4	Capscrew	
5	Not Available	2	Flatwasher (All except 1930ES Models)	
6	7023539	1	Clamp (All except 1930ES Models)	
7		Ref	Power Pack Assembly - Complete Options (See Items 101-107B for Breakdown):	
7	7023558	1	Power Pack Assembly 1930ES	
7	7023549	1	Power Pack Assembly 2030ES	
7	7023568	1	Power Pack Assembly 2630ES	
7	7023557	1	Power Pack Assembly 2646ES	
7	7023535	1	Power Pack Assembly 3246ES	
8		Ref	Pin, Alignment Options:	
8	70003646	2	Pin, Dowel	
8	70003645	2	Rollpin	
9	Not Available	1	Cylinder Assembly Only (See Items 201-227 for Breakdown)	
		Ref	POWER PACK ASSEMBLY - COMPLETE	
	7023558	1	Power Pack Assembly 1930ES (1684484/1684526 Cylinders)	
	7023549	1	Power Pack Assembly 2030ES (1684487/1684527 Cylinders)	
	7023568	1	Power Pack Assembly 2630ES (1684488/1684528 Cylinders)	
	7023557	1	Power Pack Assembly 2646ES (1684489/1684529 Cylinders)	
	7023535	1	Power Pack Assembly 3246ES (1684490/1684530 Cylinders)	
101		Ref	Tank Kit Options (Note: Includes Tank and Item 101A-101C):	
101	7023569	1	Tank Kit 1930ES	
101	7023587	1	Tank Kit 2030ES	
101	7023585	1	Tank Kit 2630ES	
101	7023578	1	Tank Kit 2646ES	
101	7023583	1	Tank Kit 3246ES	
101A	7023593	1	Plug, Fill	
101B	Item 101	4	Screw	
101C	Item 101	1	Magnet	
102		Ref	Motor Options:	
102A	7023570	1	Motor 1930ES/2030ES/2630ES	
102A	70000658	1	Brush Kit - 7023570 Motor	

SECTION 5 - CYLINDER

ITEM	PART NUMBER	QTY	DESCRIPTION	REV
102B	Not Available	2	Screw	
102C	7023579	1	Motor 2646ES/3246ES	
102C	70000659	1	Brush Kit - 7023579 Motor	
102D	Not Available	4	Screw	
102D	Not Available	4	Washer	
103	7023571	1	Adapter	
103	7023571	1	Adapter Kit	
103A	70000335	1	O-Ring	
103B	Item 103	1	Screw	
103C	Item 103	1	Screw	
103D	Item 103	1	Adapter	
103E	See Note	1	Seal (Note: Use Item 252A or 252B)	
103F	Item 103	1	Retainer	
103G	2220883	2	Plug	
103H	Item 103	3	Plug	
103J	Item 103	1	Breather 9/16in- 12UNC	
103K	Item 103	1	Breather 9/16in- 18SAE	
104		Ref	Pump Options:	1
		Ref	Note: Shaft Seal is only Repair Part Available. No Other Service Parts Available - Replace Complete Pump.	1
104	7023572	1	Pump 1930ES/2630ES	
104	7023588	1	Pump 2030ES Pump	
104	7023580	1	Pump 2646ES/3246ES Pump	
104A	See Note	1	Seal, Shaft (Note: Use Item 252A or 252B)	
105	7023573	1	Relief Valve Assembly	
105A	7023591	1	Sealing Washer	
106		Ref	Power Pack Miscellaneous Service Parts	
106A	Not Available	1	Seal	
106B	See Note	1	Seal (Note: Use Item 252A or 252B)	
106C	Not Available	1	Screw	
106D	Item 106J	1	Sleeve (1930ES/2030ES/2630ES Only)	
106E	Item 106J	1	Rollpin (1930ES/2030ES/2630ES Only)	
106F	See Note	1	Seal (Note: Use Item 252A or 252B)	
106G	Not Available	1	Tab, Locking	
106H	Not Available	1	Retainer, Tube	
106J		Ref	Coupler Kit Options:	
106J	7023574	1	Coupler Kit 1930ES/2030ES/2630ES (Includes Items 106D & 106E)	
106J	7023581	1	Coupler Kit 2646ES/3246ES	
106K	Not Available	4	Screw	
107		Ref	Tube Kit Options:	
107	7023575	1	Tube Kit 1930ES	
107	7023586	1	Tube Kit 2030ES/2630ES	
107	7023582	1	Tube Kit 2646ES	
107	7023584	1	Tube Kit 3246ES	
107A	Item 107	1	Strainer	
107B	7023576	1	Filter Element (Includes Seal)	
		Ref	CYLINDER ASSEMBLY ONLY COMPONENTS	
201	See Note	1	O-Ring (Note: Use Item 251A or 251B)	
202	See Note	1	O-Ring (Note: Use Item 251A or 251B)	
203	See Note	2	O-Ring (Note: Use Item 251A or 251B)	
204	See Note	1	Seal (Note: Use Item 251A or 251B)	

SECTION 5 - CYLINDER

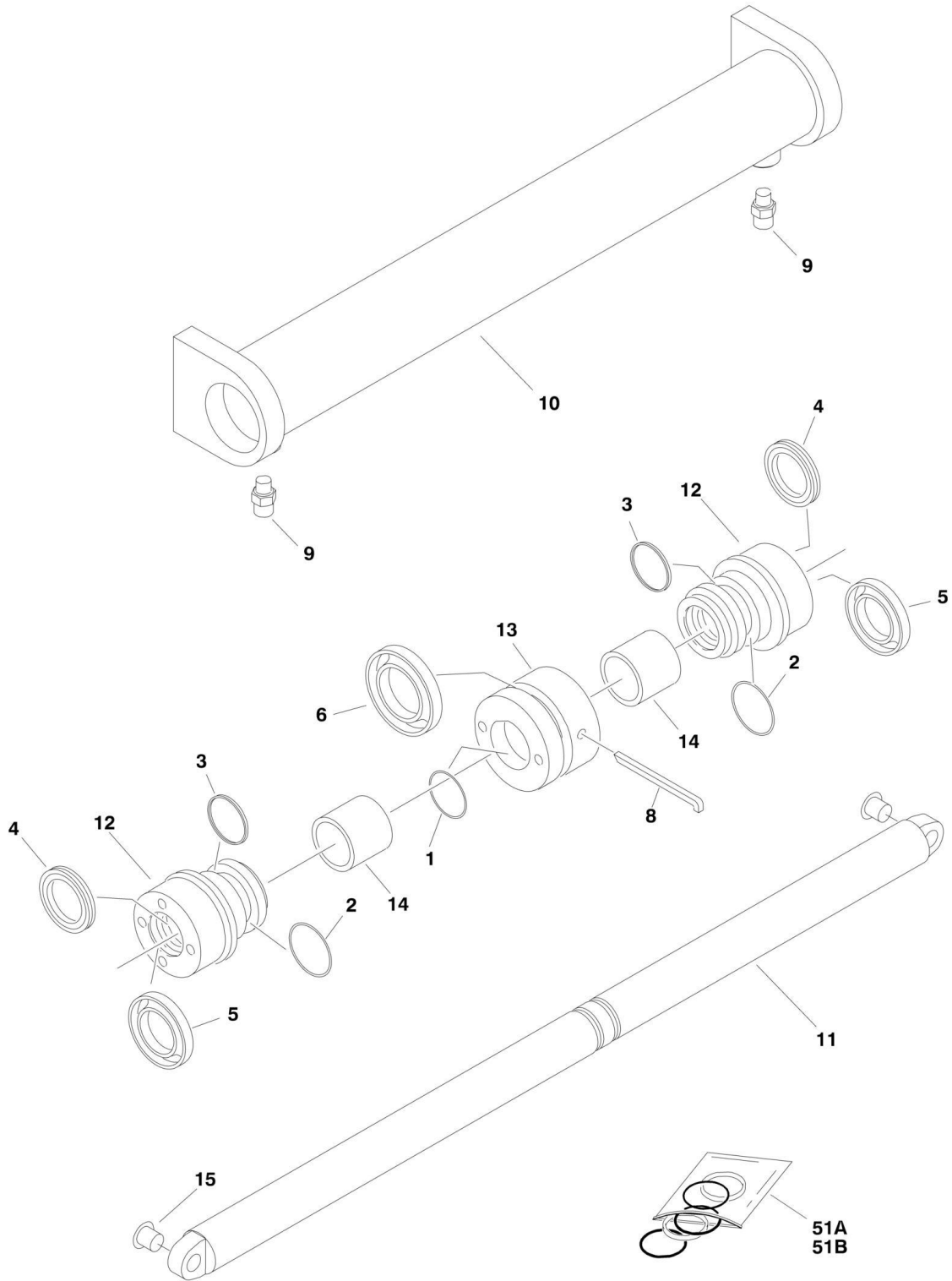
ITEM	PART NUMBER	QTY	DESCRIPTION	REV
205	See Note	1	Wiper (Note: Use Item 251A or 251B)	
206	See Note	1	Seal (Note: Use Item 251A or 251B)	
		Ref	(Note: This is a 3 piece seal. Assembly may be required)	
207	See Note	2	Ring, Wear (Note: Use Item 251A or 251B)	
208	See Note	2	Ring, Wear (Note: Use Item 251A or 251B)	
210	70004193	1	Locknut	
211	2220883	4	Plug, Steel (SAE #4) (Not Shown)	
212	2220882	8	Plug, Steel (SAE #3)	
213	7023543	1	Valve, Proportional (Lift Down)	
214	7023542	1	Valve, Relief (Steer)	
215		Ref	Bushing Options:	
215	0962257	2	Bushing 1930ES	
215	0962006	2	Bushing 2646ES/3246ES	
216		Ref	Bushing Options:	
216	0962257	2	Bushing 1930ES	
216	0962181	2	Bushing 2646ES/3246ES	
217	7023538	1	Valve, Check	
218	7023537	1	Directional Control Valve (Steer)	
219	7023536	1	Directional Control Valve (Lift Up)	
220	70000798	3	Coil (Steer and Lift Up)	
221	70000799	1	Coil (Lift Down)	
222		Ref	Barrel Options:	
222	7023553	1	Barrel 1930ES	
222	7023548	1	Barrel 2030ES/2630ES	
222	7023556	1	Barrel 2646ES	
222	7023534	1	Barrel 3246ES	
223		Ref	Rod Options:	
223	7023552	1	Rod 1930ES	
223	7023547	1	Rod 2030ES/2630ES	
223	7023533	1	Rod 2646ES/3246ES	
224		Ref	Head Options:	
224	7023551	1	Head 1930ES	
224	7023546	1	Head 2030ES/2630ES	
224	7023532	1	Head 2646ES/3246ES	
225		Ref	Piston Options:	
225A	7023550	1	Piston 1930ES	
225B	7023545	1	Piston 2030ES/2630ES	
225B	7023531	1	Piston 2646ES/3246ES	
226	7023530		Emergency Release Assembly	
227		Ref	Spacer Options:	
227	Not Required	0	Spacer 1930ES/2646ES	
227	7023529	1	Spacer 3246ES	
		Ref	SEAL KIT OPTIONS	
251		Ref	Seal Kit - Cylinder Options (Includes Items 201-208):	
251A	7023554	1	Seal Kit - Cylinder 1930ES	
251B	7023544	1	Seal Kit - Cylinder 2030ES/2630ES	
251C	7023528	1	Seal Kit - Cylinder 2646ES/3246ES	
252		Ref	Seal Kit - Reservoir/Pump Options (Includes 103A, 103E, 104A, 106B & 106F):	
252A	70001709	1	Seal Kit 1930ES/2030ES/2630ES	
252B	70001982	1	Seal Kit 2646ES/3246ES	
		Ref	MANUAL DESCENT COMPONENTS	

SECTION 5 - CYLINDER

ITEM	PART NUMBER	QTY	DESCRIPTION	REV
	0274874	Ref	Manual Descent Components 1930ES with Standard Hydraulic Oil	D
	0275692	Ref	Manual Descent Components 1930ES with Biogradeable Hydraulic Oil	B
	0275016	Ref	Manual Descent Components 2030ES with Standard Hydraulic Oil	D
	0275693	Ref	Manual Descent Components 2030ES with Biogradeable Hydraulic Oil	B
	0275017	Ref	Manual Descent Components 2630ES with Standard Hydraulic Oil	D
	0275694	Ref	Manual Descent Components 2630ES with Biogradeable Hydraulic Oil	B
	0274879	Ref	Manual Descent Components 2646ES with Standard Hydraulic Oil	C
	0275695	Ref	Manual Descent Components 2646ES with Biogradeable Hydraulic Oil	B
	0274881	Ref	Manual Descent Components 3246ES with Standard Hydraulic Oil	C
	0275696	Ref	Manual Descent Components 3246ES with Biogradeable Hydraulic Oil	B
315		Ref	Cable, Pull Options:	
315	1061036	1	Cable Pull 1930ES - 9ft/2.74m Length	
315	1061036	1	Cable Pull 2030ES/2630ES - 9ft/2.74m Length (USA Built Machines) (was p/n 1061035 - 10.5ft/3.2m Length Cable) (SN 0200152825 through 0200161858)	
315	1061036	1	Cable Pull 2030ES/2630ES - 9ft/2.74m Length (Belgium Built Machines) (was p/n 1061035 - 10.5ft/3.2m Length Cable) (SN 1200008481 through 1200011442)	
315	1061034	1	Cable Pull 2030ES/2630ES - 12.5ft/3.81m Length (USA Built Machines) (SN 0200161859 through 0200198014)	
315	1061034	1	Cable Pull 2030ES/2630ES - 12.5ft/3.81m Length (Belgium Built Machines) (SN 1200011443 to Present)	
315	1061034	1	Cable Pull 2646ES/3246ES - 12.5ft/3.81m Length	
315	7020218	1	T-Handle (with 1/4in-20 Threads)	
315	70001878	1	T-Handle (with 5mm Threads)	
316	3321402	1	Nut, Jam 1/4in-18NF	
317	4160078	1	Spring	

SECTION 5 - CYLINDER

FIGURE 5-2. STEER CYLINDER ASSEMBLY



SECTION 5 - CYLINDER

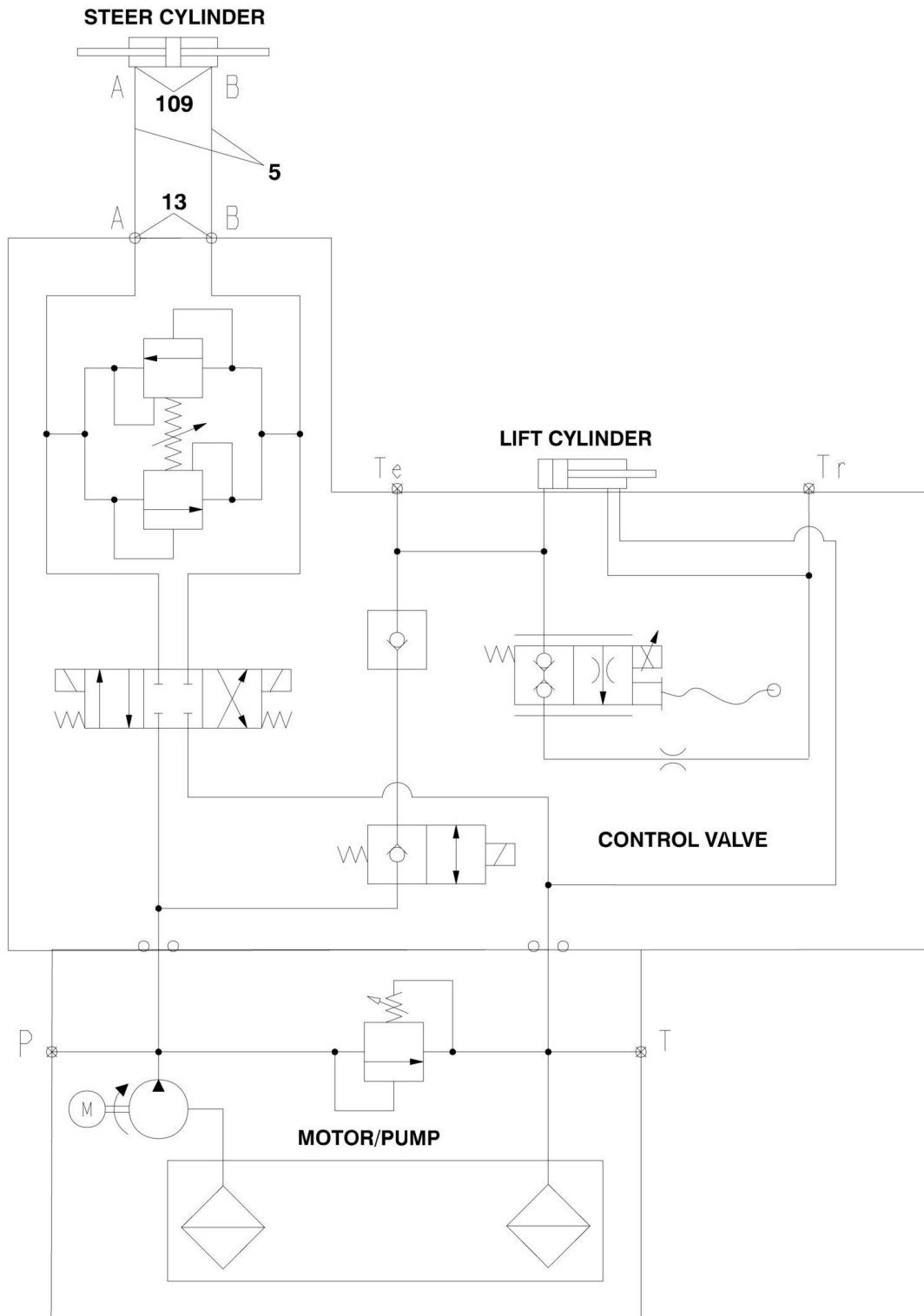
FIGURE 5-2. STEER CYLINDER ASSEMBLY

ITEM	PART NUMBER	QTY	DESCRIPTION	REV
		Ref	STEER CYLINDER ASSEMBLY	
	1684237	Ref	Steer Cylinder Assembly 1930ES/2030ES/2630ES	D
	1684456	Ref	Steer Cylinder Assembly 2646ES/3246ES	A
1	See Note	1	O-Ring (Note: Use Item 51A or 51B)	
2	See Note	2	O-Ring (Note: Use Item 51A or 51B)	
3	See Note	2	Ring, Back-up (Note: Use Item 51A or 51B)	
4	See Note	2	Seal (Note: Use Item 51A or 51B)	
5	See Note	2	Wiper (Note: Use Item 51A or 51B)	
6	See Note	1	Seal (Note: Use Item 51A or 51B)	
8	7023564	1	Ring, Retaining	
9	2110404	2	Fitting, Straight Adapter	
10		Ref	Tube Assembly Options:	
10	7023563	1	Tube Assembly 1930ES/2030ES/2630ES	
10	70000108	1	Tube Assembly 2646ES/3246ES	
11		Ref	Rod Options:	
11	7023562	1	Rod 1930ES/2030ES/2630ES	
11	70000110	1	Rod 2646ES/3246ES	
12	7023561	2	Head	
13	7023560	1	Piston	
14		Ref	Spacer Options:	
14	Not Required	0	Spacer 1930ES/2030ES/2630ES	
14	7023565	2	Spacer 2646ES/3246ES	
15	0440259	2	Bushing	
51		Ref	Seal Kit - Cylinder Options (Includes Items 1-6):	
51A	7023559	1	Seal Kit - Cylinder 1930ES/2030ES/2630ES	
51B	70000107	1	Seal Kit - Cylinder 2646ES/3246ES	

SECTION 6 - HYDRAULIC

SECTION 6 - HYDRAULIC

FIGURE 6-1. HYDRAULIC DIAGRAM



SECTION 6 - HYDRAULIC

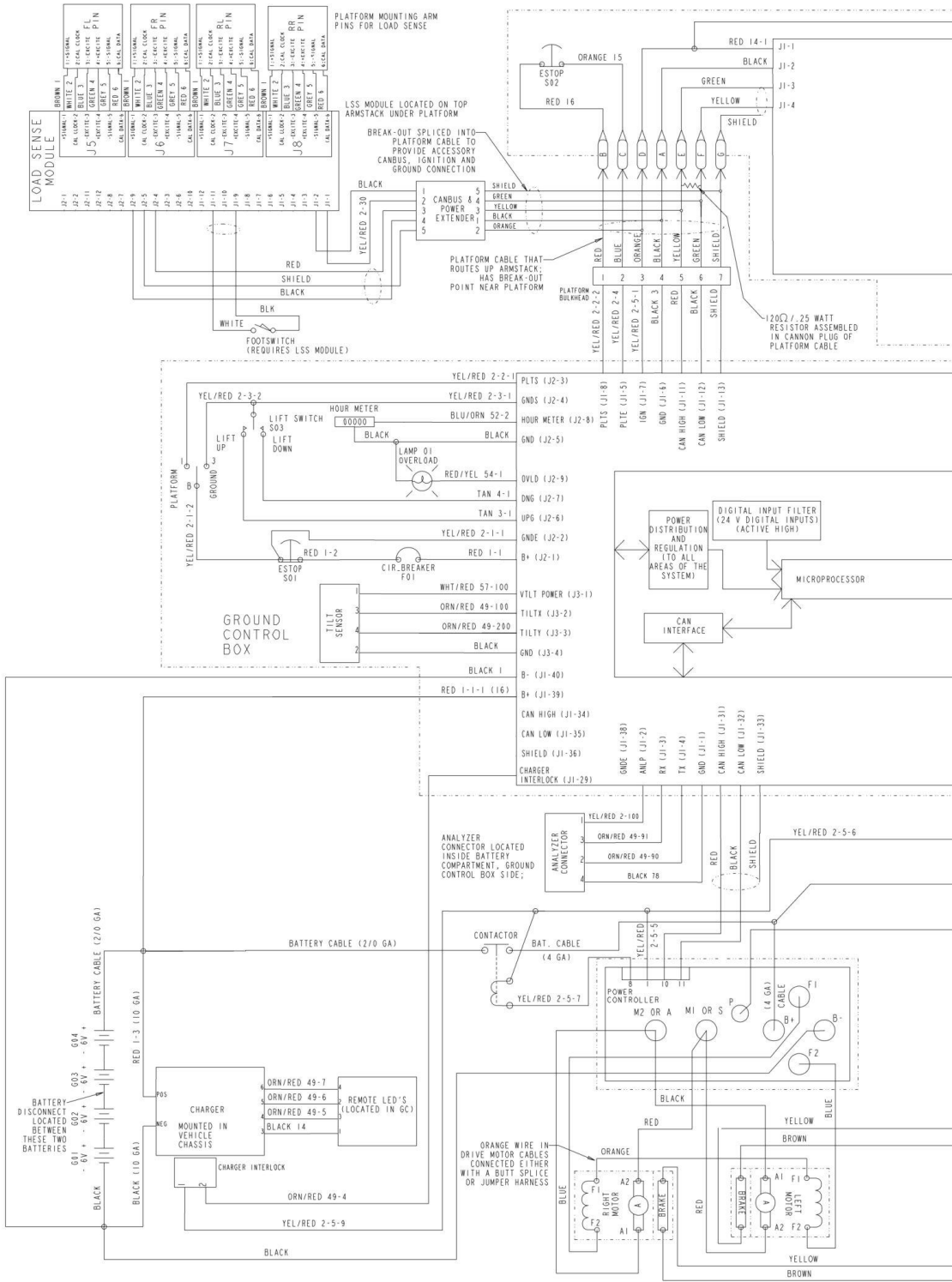
FIGURE 6-1. HYDRAULIC DIAGRAM

ITEM	PART NUMBER	QTY	DESCRIPTION	REV
		Ref	HYDRAULIC COMPONENTS	
	0272371	Ref	Steer Hydraulics (1930ES)	G
	0273227	Ref	Steer Hydraulics (2030ES/2630ES)	D
	0274546	Ref	Steer Hydraulics (2646ES/3246ES)	B
	2792599	Ref	Hydraulic Schematic	D
5		Ref	Hose Options:	
5		Ref	Hose 1930ES	
5	2753882	2	Hose USA Built Machines (SN 0200152825 through 0200161588)	
5	2753882	2	Hose Belgium Built Machines (SN 1200008481 through 1200011442)	
5	2755056	2	Hose USA Built Machines (SN 0200161589 through 0200198014)	
5	2755056	2	Hose Belgium Built Machines (SN 1200011443 to Present)	
5		Ref	Hose 2030ES/2630ES	
5	2753882	2	Hose USA Built Machines (SN 0200152825 through 0200161588)	
5	2753882	2	Hose Belgium Built Machines (SN 1200008481 through 1200011442)	
5	2755061	2	Hose USA Built Machines (SN 0200161589 through 0200198014)	
5	2755061	2	Hose Belgium Built Machines (SN 1200011443 to Present)	
5	2753883	2	Hose 2646ES/3246ES	
13	2110404	2	Fitting, Straight	
		Ref	STEER CYLINDER ASSEMBLY	
	1684237	Ref	Steer Cylinder Assembly 1930ES/2030ES/2630ES	D
	1684456	Ref	Steer Cylinder Assembly 2646ES/3246ES	A
109	2110404	2	Fitting, Straight Adapter	

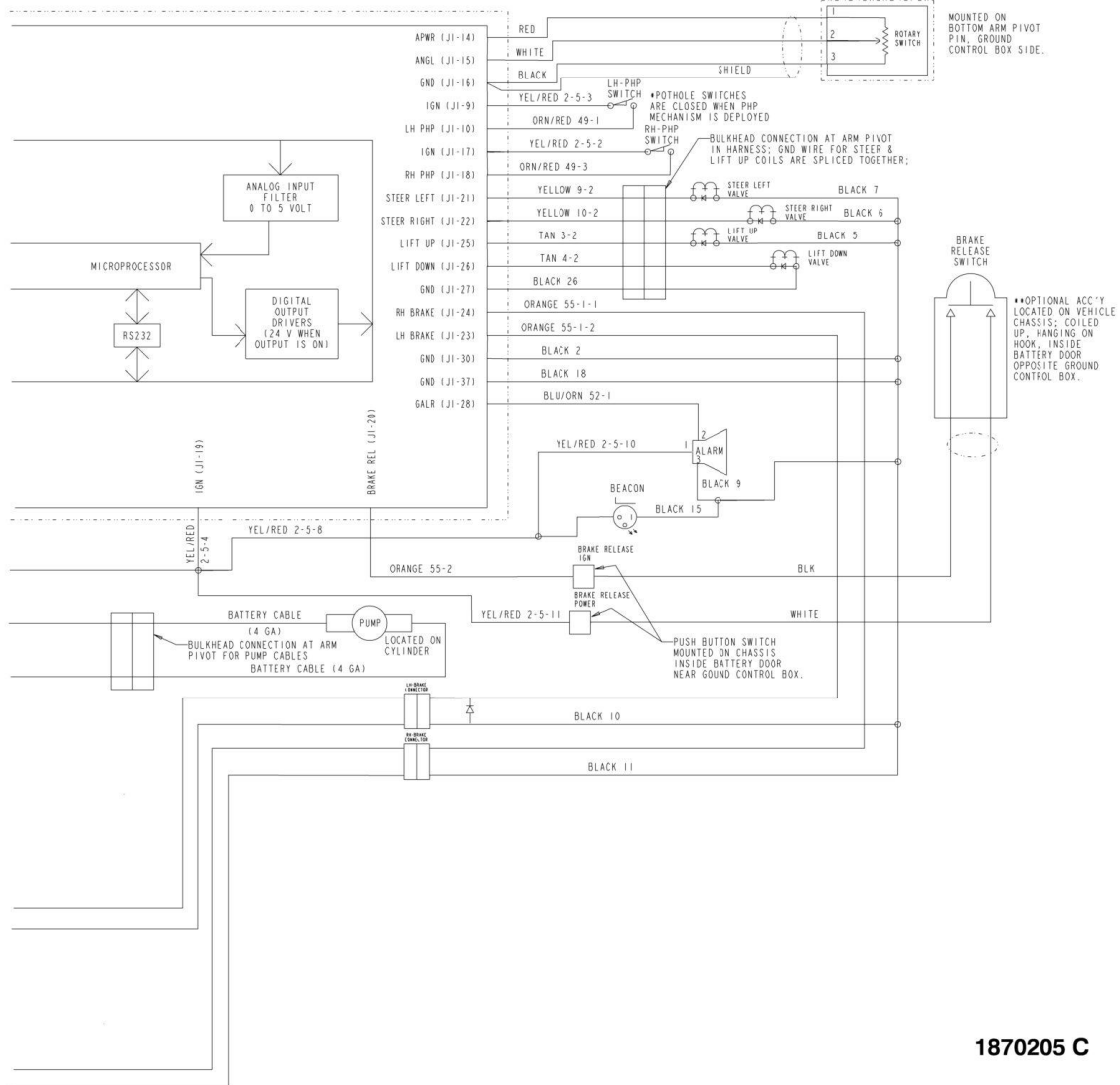
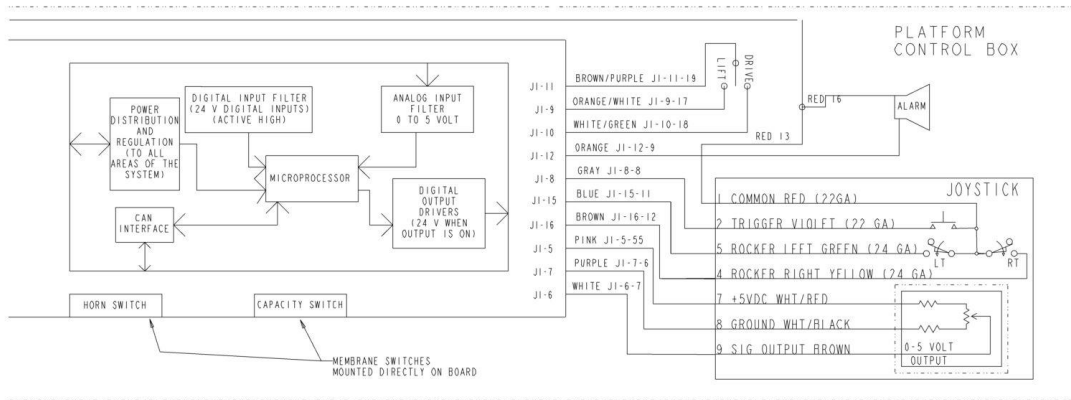
SECTION 7 - ELECTRICAL

SECTION 7 - ELECTRICAL

FIGURE 7-1. ELECTRICAL SCHEMATIC



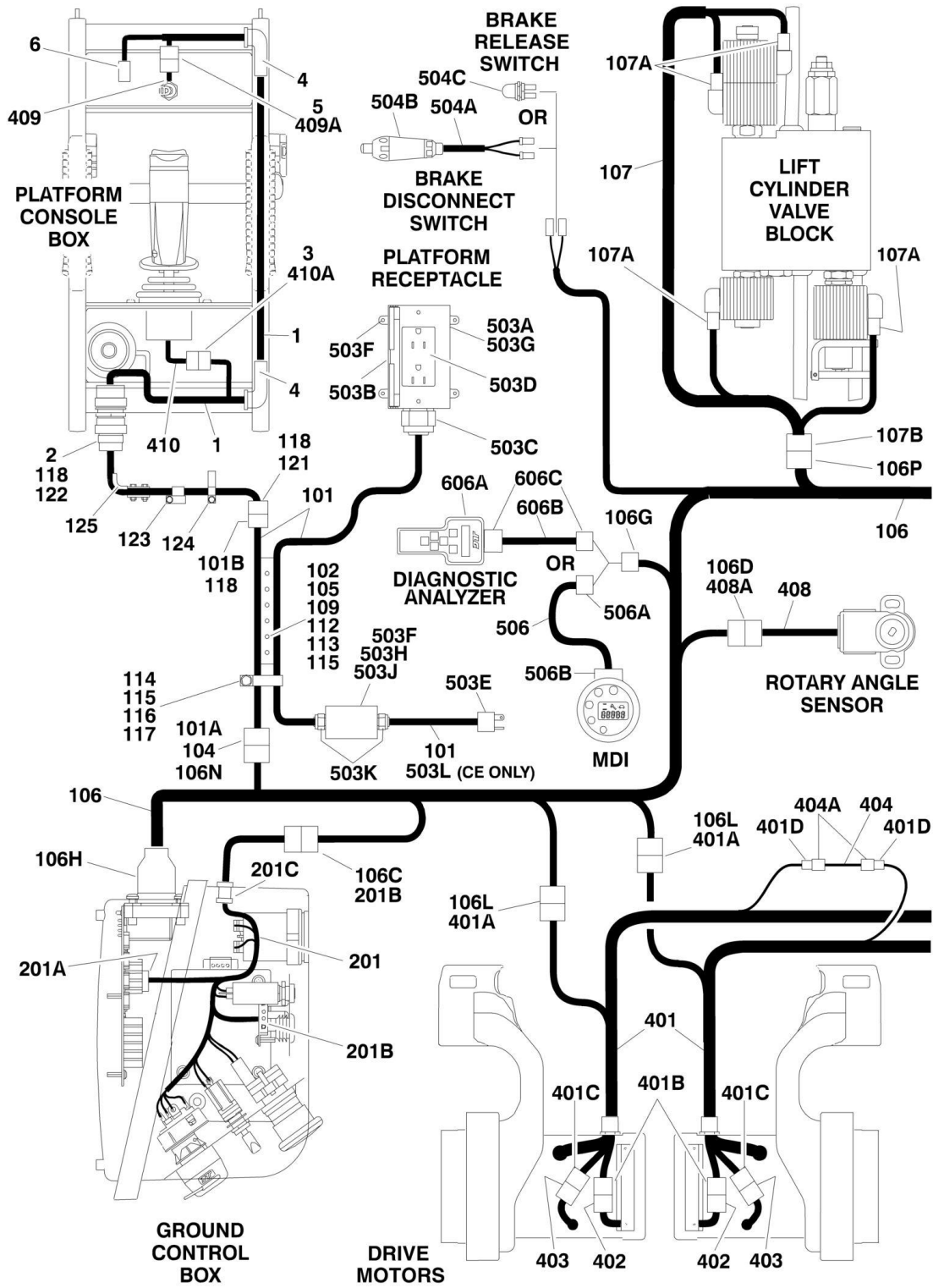
SECTION 7 - ELECTRICAL



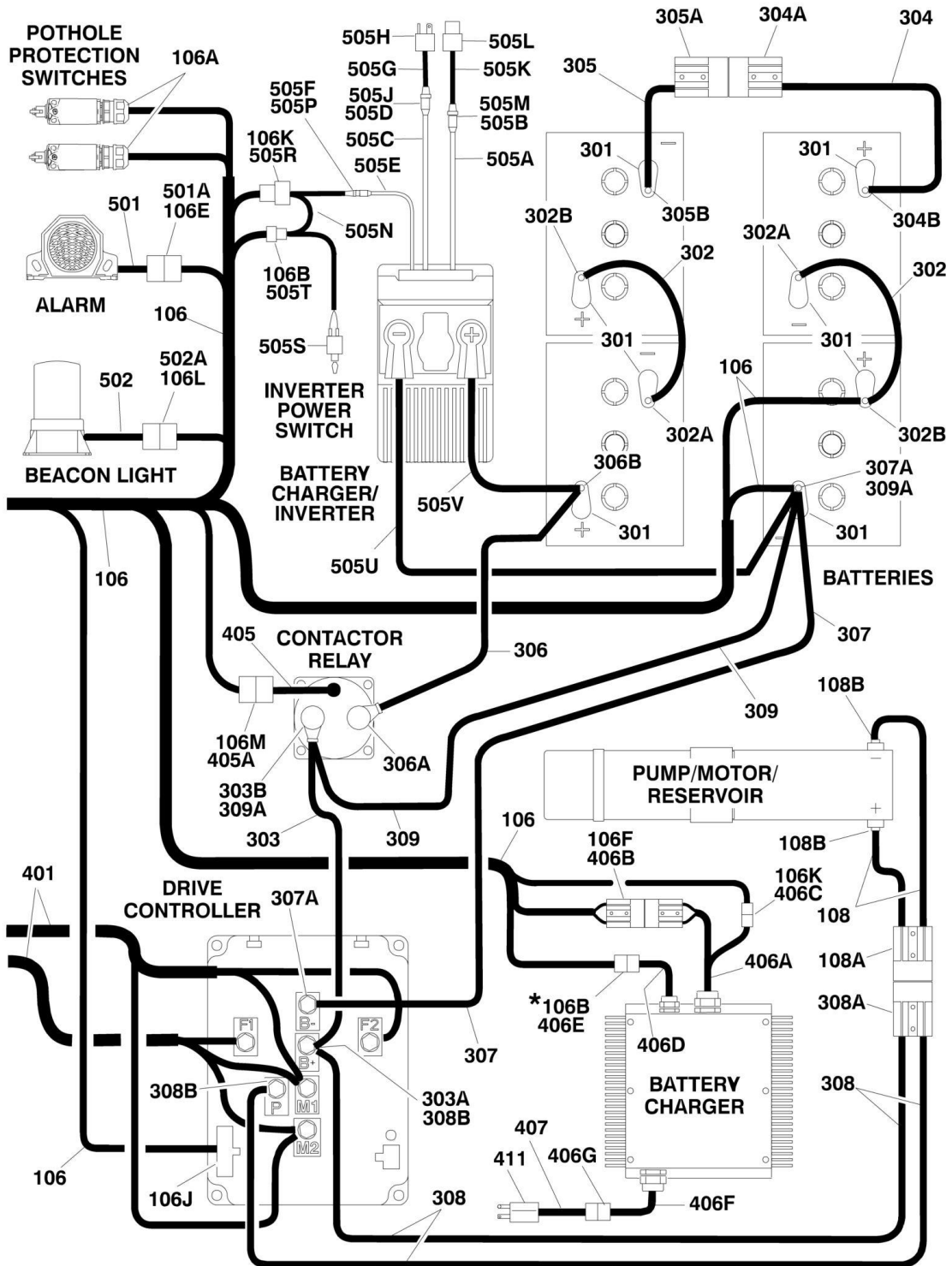
1870205 C

SECTION 7 - ELECTRICAL

FIGURE 7-2. 1930ES ELECTRICAL COMPONENTS INSTALLATION



SECTION 7 - ELECTRICAL



*NOTE: THIS CONNECTION USED ONLY WHEN FOOTSWITCH OR BATTERY CHARGER INTERLOCK OPTIONS ARE REQUIRED.

SECTION 7 - ELECTRICAL

FIGURE 7-2. 1930ES ELECTRICAL COMPONENTS INSTALLATION

ITEM	PART NUMBER	QTY	DESCRIPTION	REV
		Ref	CONSOLE BOX COMPONENTS	
1	4922870	1	Platform Box Harness	B
2	4461016	1	Connector - 14 Position	
2	4460464	5	Pin, Male	
2	4460466	9	Plug, Sealing	
2	4460496	1	Lockwasher	
2	4460497	1	Nut, Panel	
3	4460265	1	Plug, Male - 9 Position	
3	4460267	8	Pin, Male	
4	2540042	2	Grommet 90	
5	Not Available	1	Receptacle, Female - 3 Position	
6	4461057	1	Plug, Male - 16 Position	
		Ref	PLATFORM CABLES INSTALLATION	
	0274972	Ref	ANSI, ANSI Export, Japanese and UL Specs	L
	0275541	Ref	Australian and CE Specs	J
101		Ref	Platform to Ground Harness Options (Was p/n 4933218 & 4923587):	
101	1001094154	1	Harness ANSI, ANSI Export, Japanese and UL Specs:	C
101	1001094332	1	Harness Australian and CE Specs:	B
101A	4460930	1	Plug, Male - 8 Position	
101A	4460465	4	Socket, Female	
101A	4460944	3	Socket, Female (Gold)	
101A	4460466	1	Plug, Sealing	
101A	0840061	1	Boot, 8 Position Plug	
101A	2820026	AR	Insulation, Clear Tubing	
101A	2820028	AR	Heat Shrink	
101B	4460930	1	Plug, Male - 8 Position	
101B	4460465	4	Socket, Female	
101B	4460944	3	Socket, Female (Gold)	
101B	4460466	1	Plug, Sealing	
101B	0840061	1	Boot, 8 Position Plug	
101B	2820026	AR	Insulation, Clear Tubing	
101B	2820028	AR	Heat Shrink	
102	1380158	AR	Retainer	
103	1320318	AR	Clamp, Hose	
104	0100048	AR	Grease, Dielectric	
105	4740545	AR	Washer, Special Cable	
106		Ref	Chassis Harness Options:	
106	1001109218	1	Harness USA Built Machines (was p/n 4923449) (SN 0200152825 through 0200195917)	F
106	1001109218	1	Harness Belgium Built Machines (was p/n 4923449) (SN 1200008481 through 1200022846)	F
106	1001109124	1	Harness USA Built Machines (SN 0200195918 through 0200198014)	B
106	1001109124	1	Harness Belgium Built Machines (SN 1200022847 to Present)	B
106		Ref	Wiring Diagram - Chassis Options:	
106	4933351	Ref	Wiring Diagram - Chassis USA Built Machines (SN 0200152825 through 0200195917)	C
106	4933351	Ref	Wiring Diagram - Chassis Belgium Built Machines (SN 1200008481 through 1200022846)	C
106	1001109123	Ref	Wiring Diagram - Chassis USA Built Machines (SN	A

SECTION 7 - ELECTRICAL

ITEM	PART NUMBER	QTY	DESCRIPTION	REV
106	1001109123	Ref	0200195918 through 0200198014) Wiring Diagram - Chassis Belgium Built Machines (SN 1200022847 to Present)	A
106	3990013	2	Diode 1 Amp/400V (Not Shown)	
106A		Ref	Switch, Limit Options:	
106A	1001109345	2	Switch, Limit USA Built Machines (was p/n 4360633) (SN 0200152825 through 0200195917)	
106A	1001109345	2	Switch, Limit Belgium Built Machines (was p/n 4360633) (SN 1200008481 through 1200022846)	
106A	1001109088	2	Switch, Limit USA Built Machines (SN 0200195918 through 0200198014)	
106A	1001109088	2	Switch, Limit Belgium Built Machines (SN 1200022847 to Present)	
106A	4460884	2	Plug, Male 4 Position (Use with p/n 1001109088 Switch)	
106A	4460465	4	Socket, Female (Use with p/n 1001109088 Switch)	
106B	4460320	1	Plug, Male - 2 Position (Note: Connection to this plug used only when footswitch or battery interlock options are required)	
106B	4460226	2	Socket, Female	
106C	4460321	1	Plug, Male - 4 Position	
106C	4460227	4	Pin, Male	
106D	4460539	1	Plug, Male - 3 Position	
106D	4460465	3	Socket, Female	
106E	4460539	1	Plug, Male - 3 Position	
106E	4460465	2	Socket, Female	
106F	4460648	1	Connector, Anderson	
106G	4460761	1	Receptacle, Female - 4 Position	
106G	4460227	4	Pin, Male	
106H	4460814	1	Plug, Male - 40 Position	
106H	4460465	31	Socket, Female	
106H	4460944	6	Socket, Female (Gold)	
106H	0840057	1	Boot	
106J	4460870	1	Plug, Male - 12 Position	
106J	4460877	4	Pin, Male	
106K	4460894	1	Plug, Male - 6 Position	
106K	4460465	4	Socket, Female	
106K	0840059	1	Boot	
106L	4460897	3	Receptacle, Female - 2 Position	
106L	4460464	6	Pin, Male	
106M	4460897	1	Receptacle, Female - 2 Position	
106M	4460465	2	Socket, Female	
106N	4460931	1	Receptacle, Female - 8 Position	
106N	4460464	4	Pin, Male	
106N	4460943	3	Pin, Male (Gold)	
106N	0840058	1	Boot	
106P	4460899	1	Connector, Female - 6 Position	
106P	4460464	6	Pin, Male	
106R	4460931	1	Receptacle, Female - 8 Position	
106R	4460464	4	Pin, Male	
107	4923350	1	Lift Cylinder Harness	D
107A	4460891	4	Plug, Male - 2 Position	
107A	4460465	8	Socket, Female	
107B	4460894	1	Plug, Male - 6 Position	
107B	4460465	6	Socket, Female	

SECTION 7 - ELECTRICAL

ITEM	PART NUMBER	QTY	DESCRIPTION	REV
107B	0840059	1	Boot	
108		Ref	Power to Pump Motor Harness Options:	
108	4923271	1	Harness USA Built Machines (SN 0200152825 through 0200164049)	C
108	4923271	1	Harness Belgium Built Machines (SN 1200008481 through 1200012625)	C
108	4923647	1	Harness USA Built Machines (SN 0200164050 through 0200198014)	B
108	4923647	1	Harness Belgium Built Machines (SN 1200012626 to Present)	B
108A		Ref	Connector, Anderson Options:	
108A	Not Available	1	Connector, Anderson (Red)	
108A	Not Available	1	Connector, Anderson (Gray)	
108B	0840041	2	Boot, Terminal (Red)	
109		Ref	Screw M6 Options:	
109	0760610	AR	Screw 20mm Length	
109	0760614	AR	Screw 30mm Length	
110		Ref	Bracket, Battery Connector Options (Not Shown - Located at Item 304):	
110	0903339	1	Bracket, Battery Connector Non-UL Machines	
110	1001110826	1	Bracket, Battery Connector UL Machines	
111	2902476	Ref	Battery Cable Kit (See Item 301- 309 for Breakdown)	
112	3290607	4	Nut M6	
113	4811700	2	Flatwasher M6	
114	1321716	2	Clamp	
115	3291005	AR	Locknut M10	
116	3900351	AR	Screw, Button Head M10 x 30mm	
117	4812000	AR	Flatwasher M10	
118		Ref	Platform to Control Box Coiled Cable Harness Options:	
118	1001104466	1	Harness USA Built Machines (Repair Kit p/n 1001104466 Includes Items 101B & 121-125) (SN 0200152825 through 0200168419)	A
118	1001104466	1	Harness Belgium Built Machines (Repair Kit p/n 1001104466 Includes Items 101B & 121-125) (SN 1200008481 through 1200014905)	A
118	1001096705	1	Harness USA Built Machines (Includes Items 121 & 122) (SN 0200168420 through 0200198014)	A
118	1001096705	1	Harness Belgium Built Machines (Includes Items 121 & 122) (SN 1200014906 to Present)	A
121	4460931	1	Receptacle, Female - 8 Position	
121	4460464	4	Pin, Male	
121	4460943	3	Pin, Male (Gold)	
121	4460466	1	Plug, Sealing	
121	0840058	1	Boot, 8 Position Receptacle	
121	2820026	AR	Insulation, Clear Tubing	
121	2820028	AR	Heat Shrink	
122	4460754	1	Connector -14 Position	
122	4460465	4	Socket, Female	
122	4460944	3	Socket, Female	
122	4460466	4	Plug, Sealing	
122	3730119	1	Resistor	
122	4460493	1	Cap, Dust	
122	2820026	AR	Insulation, Clear Tubing	
123	1001094175	AR	Clamp, Post	
123	4010617	AR	Screw M6 x 45mm	

SECTION 7 - ELECTRICAL

ITEM	PART NUMBER	QTY	DESCRIPTION	REV
123	3290606	AR	Nut, Acorn M6	
124	1001094180	4	Clamp, Rail	
124	0760606	4	Screw M6 x 12mm	
124	3290606	4	Nut, Acorn M6	
125	1001104465	AR	Hook, Corner	
125	4010617	AR	Screw M6 x 45mm	
125	3290606	AR	Nut, Acorn M6	
		Ref	GROUND CONTROL BOX COMPONENTS	
201	4922865	1	Control Box Harness	F
201A	4460265	1	Plug, Male - 9 Position	
201A	4460268	9	Socket, Female	
201B	4460761	2	Receptacle, Female - 4 Position	
201B	4460267	8	Pin, Male	
201C	Not Available	1	Grommet (Molded in Part of Harness)	
201D	4460418	1	Receptacle, Female - 3 Position	
201D	4460419	3	Terminal	
	2902476	Ref	BATTERY CABLE KIT	E
	0275480	Ref	BATTERY CABLE COMPONENTS (UL SPEC ONLY)	A
301	0840060	8	Boot, Terminal (Gray) (Covers only the Battery Terminal Base)	
302	1060998	2	Cable, Battery (Battery Positive to Battery Negative)	E
302A	Not Available	2	Boot, Terminal (Black) (1 Per Cable Assembly)	
302B	Not Available	2	Boot, Terminal (Red) (1 Per Cable Assembly)	
303	1061001	1	Cable, Battery (Contactor to Drive Module B+)	E
303A	Not Available	1	Boot, Terminal (Black)	
303B	Not Available	1	Boot, Terminal (Red)	
304		Ref	Cable, Battery (LH Battery to Disconnect)	
304	4923365	1	Non-UL Machines	C
304	4923414	1	UL Machines	E
304A		Ref	Connector, Anderson Options:	
304A	Not Available		Connector Single Pole (Purchase p/n 4923365)	
304A	Not Available		Connector Two Pole (Purchase p/n 4923414)	
304B	Not Available	1	Boot, Terminal (Black)	
305		Ref	Cable, Battery (RH Batteries to Disconnect) Options:	
305	4923366	1	Cable, Battery Non-UL Machines	B
305	1001127523	1	Cable, Battery UL Machines (was p/n 4923413)	B-E
305A		Ref	Connector, Anderson Options:	
305A	Not Available	1	Connector Single Pole (Purchase p/n 4923366)	
305A	Not Available	1	Connector Two Pole (Purchase p/n 4923413 & 1001127523)	
305B		Ref	Boot, Terminal Options:	
305B	Not Available		Boot, Terminal (Black)	
305B	Not Available		Boot, Terminal (Red)	
306	4923367	1	Cable, Battery (RH Battery to Contactor)	B
306A	Not Available	1	Boot, Terminal (Black)	
306B	Not Available	1	Boot, Terminal (Red)	
307 AND 307	Not Required	0	Not Required	
308		Ref	Cable, Battery (Power to Pump Motor)	
308	4923272	2	Cable USA Built Machines (SN 0200152825 through 0200164049)	C
308	4923272	2	Cable Belgium Built Machines (SN 1200008481 through 1200013824)	C
308	4923648	2	Cable USA Built Machines (SN 0200164050 through	B

SECTION 7 - ELECTRICAL

ITEM	PART NUMBER	QTY	DESCRIPTION	REV
308	4923648	2	0200198014) Cable Belgium Built Machines (SN 1200013825 to Present)	B
308A		Ref	Connector, Anderson Options:	
308A	Not Available	1	Connector Red	
308A	Not Available	1	Connector Gray	
308B	0840041	1	Boot, Terminal (Red)	
309	4923374	1	Cable, Battery (Battery to Contactor)	B
309A	Not Available	2	Boot, Terminal (Red)	
		Ref	STANDARD HARNESSES	
401		Ref	Drive Motor/Brake Harness Options:	
401	1001099628	2	Harness USA Built Machines (was p/n 7024770) (SN 0200152825 through 0200170584)	
401	1001099628	2	Harness Belgium Built Machines (was p/n 7024770) (SN 1200008481 through 1200015158)	
401	1001091502	2	Harness USA Built Machines (SN 0200170585 through 0200198014)	E
401	1001091502	2	Harness Belgium Built Machines (SN 1200015159 to Present)	E
401A	4460891	2	Plug, Male - 2 Position (1 Per Harness)	
401A	4460465	4	Socket, Female (2 Per Harness)	
401B	70001442	2	Plug, Male - 2 Position (1 Per Harness) (To Brake)	
401B	Not Available	4	Socket, Female (2 Per Harness) (To Brake)	
401C	70001443	2	Plug, Male - 2 Position (1 Per Harness) (To Motor)	
401C	70001444	4	Socket, Female (2 Per Harness) (To Motor)	
401D		Ref	Connector Options:	
401D	Not Available	1	Connector USA Built Machines Use Butt Connector (Purchase Locally) (SN 0200152825 through 0200156116)	
		Ref	Note: P/N 7024770 Harness is equipped with a connector at this location. When replacing, clip connector and butt splice to Drive Harness from opposite side.	
401D	4461261	1	Connector USA Built Machines Use Plug, Male - 1 Position (SN 0200156117 through 0200198014)	
401D	4461261	1	Connector All Belgium Built Machines Use Plug, Male - 1 Position	
401D	4460509	1	Connector USA Built Machines Use Terminal (SN 0200156117 through 0200198014)	
401D	4460509	1	Connector All Belgium Built Machines Use Terminal	
402	Not Available	2	Harness, Brake (Internal Connections - Purchase Complete)	
402	Not Available	2	Receptacle, Female - 2 Position (1 Per Harness)	
402	Not Available	4	Pin, Male (2 Per Harness)	
403	Not Available	2	Harness, Motor (Internal Connections - Purchase Complete Motor)	
403	Not Available	2	Receptacle, Female - 2 Position (1 Per Harness)	
403	Not Available	4	Pin, Male (2 Per Harness)	
404	4923602	2	Harness, Field Wire Connection	B
404A	4461260	2	Receptacle, Female - 1 Position	
404A	4460508	2	Terminal	
405	3740150	1	Contactory Relay Harness (Includes Relay)	
405A	4460891	1	Plug, Male - 2 Position	
405A	4460465	2	Socket, Female	
406		Ref	Battery Charger Components	
406A	Not Available		DC Harness/Cord Set	
406B	4460648	1	Plug, Anderson	
406C	4460899	1	Connector, Female - 6 Position	
406C	4460464	6	Pin, Male	

SECTION 7 - ELECTRICAL

ITEM	PART NUMBER	QTY	DESCRIPTION	REV
406D	Not Available	1	Harness with Connector (Note: Connection to this plug used only when battery interlock options are required)	
406E	4460424	1	Connector, Female - 2 Position (Note: Connection to this plug used only when battery interlock options are required)	
406E	4460227	2	Pin, Male	
406F	Not Available	1	AC Harness/Cord Set	
406G	Not Available	1	Connector, Female	
407		Ref	Cable, AC Power to Charger Options:	
407	1060688	1	Cable with Factory Supplied Plug (Black)	
407	1001103257	1	Cable with Factory Supplied Plug (Orange)	
407	1060689	1	Cable with Locally Supplied Plug (Black)	
407	1001103258	1	Cable with Locally Supplied Plug (Orange)	
408	1001092354	1	Rotary Angle Sensor and Harness (Separate Harness Not Available) (was p/n 4360526)	
408A	4460536	1	Receptacle, Female - 3 Position	
408A	4460464	3	Pin, Male	
409	4360539	1	Toggle Switch and Harness (No Separate Harness Available)	
409A	Not Available	1	Plug, Male - 3 Position	
410	Not Available	1	Joystick Harness	
410A	4460266	1	Receptacle, Female - 9 Position	
410A	4460226	8	Socket, Female	
411		Ref	Plug Options:	
411	Not Available		ANSI Spec Plug (Use p/n 1001103257)	
411	Not Available		Australian and Japanese Specs (Purchase Locally)	
411		Ref	CE Spec Options:	
411	0275666	Ref	IEC Yellow Receptacle Installation	A
411	4461196	Ref	Receptacle, IEC Yellow	
411	0276667	Ref	IEC Blue Receptacle Installation	A
411	4661199	Ref	Receptacle, IEC Blue	
411	0275665	Ref	AFSINT 107 Keyed Ground Receptacle Installation	A
411	4661249	Ref	Receptacle, AFSINT 107 Keyed Ground	
411	0275663	Ref	CEE 7 Post Ground Receptacle Installation	A
411	4661202	Ref	Receptacle, CEE 7 Post Ground	
411	0275664	Ref	CEE 7 Side Ground Receptacle Installation	A
411	4661205	Ref	Receptacle, CEE 7 Side Ground	
		Ref	OPTIONAL HARNESSES	
501	0140043	1	Alarm and Harness (Separate Harness Not Available)	
501A	4460536	1	Receptacle, Female - 3 Position	
501A	4460464	3	Pin, Male	
502	2920161	1	Beacon Light and Harness (Separate Harness Not Available)	
502A	4460891	1	Plug, Male - 2 Position (1 Per Harness)	
502A	4460465	2	Socket, Female (2 Per Harness)	
503		Ref	Platform Electrical Outlet Components	
503		Ref	ANSI, ANSI Export, CSA, Japanese and UL Specs Options:	
503	0272839	Ref	110V with Receptacle and Plug	H
503	0272843	Ref	220V without Receptacle and Plug (Locally Supplied Components)	F
503		Ref	Australian Specs Options:	
503	0272843	Ref	220V without Receptacle and Plug (Locally Supplied Components)	F
503		Ref	CE Specs Options:	
503	0275487	Ref	110V with IEC Yellow Receptacle and Plug and Circuit Breaker	C

SECTION 7 - ELECTRICAL

ITEM	PART NUMBER	QTY	DESCRIPTION	REV
503	0272843	Ref	220V without Receptacle and Plug (Locally Supplied Components)	F
503	0275488	Ref	220V with IEC Blue Receptacle and Plug and Circuit Breaker (was p/n 02754887)	C
503	0275486	Ref	220V with AFSINT 107 Keyed Ground Receptacle and Plug and Circuit Breaker	C
503	0275472	Ref	220V with CEE 7 Post Ground Receptacle and Plug and Circuit Breaker (2x4 Box)	C
503	0275489	Ref	220V with CEE 7 Post Ground Receptacle and Plug and Circuit Breaker (70x70 Box)	D
503	0275485	Ref	220V with CEE 7 Side Ground Receptacle and Plug and Circuit Breaker (2x4 Single Box)	C
503	1001096628	Ref	220V with CEE 7 Side Ground Receptacle and Plug and Circuit Breaker (2x4 Dual Boxes) Note: Qty shown is for single Receptacle Box. Double Qty listed for Dual Receptacle Boxes.	A
		Ref	(Illustration and Parts List Usage)	
503	0275490	Ref	220V with CEE 7 Side Ground Receptacle and Plug and Circuit Breaker (70x70 Box)	D
503		Ref	Decal - AC Power (Not Shown)	
503	1703464	1	110V	
503	3252507	1	220V	
503A		Ref	Box, Switch Options:	
503A	0861731	1	Box 0272839, 0275472, 0275485, 0275486 & 1001096628 Installations	
503A	Not Available	1	Box 0272843 Installation (Purchase Locally)	
503A	4460315	1	Box 0272839 Installation (Terminal, Spade) (Not Shown)	
503A	0861781	1	Box 0275487 & 0275488 Installations	
503A	See Note	1	Box 0275774/0275775 Installations (Note: Was p/n 0861782 which is no longer available. Use p/n 1001100344 CEE 7 Side Ground Service Kit or p/n 1001100343 CEE 7 Post Ground Service Kit. Kits includes Box p/n 1001141967 & items 503B, 503D & 503E.)	
503A	1001141967	1	Box 1001100343, 1001100344, 1001141970 & 1001141971 Service Kits	
503B		Ref	Cover Options:	
503B	1671207	1	Cover 0272839 Installation	
503B	Not Available	1	Cover 0272843 Installation (Purchase Locally)	
503B	4461244	1	Cover 0275472 Installation (Includes Receptacle)	
503B	4461245	1	Cover 0275485 & 1001096628 Installations (Includes Receptacle)	
503B	4461246	1	Cover 0275486 Installation (Includes Receptacle)	
503B	4461198	1	Cover 0275487 Installation (Includes Receptacle)	
503B	4461201	1	Cover 0275488 Installation (Includes Receptacle)	
503B	1001100343	1	Cover 0275489 Installation (Includes Receptacle) (was p/n 4461204 & 1001141971)	
503B	1001100344	1	Cover 0275490 Installation (Includes Receptacle) (was p/n 4461207 & 1001141970)	
503B	1001141968	1	Cover 1001100343 & 1001141971 Service Kit	
503B	1001141969	1	Cover 1001100344 & 1001141970 Service Kit	
503C		Ref	Connector, Strain Relief Options:	
503C	4460662	1	Connector 0272839, 0275472, 0275485, 0275486 & 1001096628 Installations	
503C	Not Available	1	Connector 0272843 Installation (Purchase Locally)	
503C	4461257	1	Connector 0275487, 0275488, 0275489 & 0275490 Installations (90)	
503C	4461258	1	Connector 0275487, 0275488, 0275489 & 0275490	

SECTION 7 - ELECTRICAL

ITEM	PART NUMBER	QTY	DESCRIPTION	REV
			Installations (Adapter)	
503C	4460633	1	Connector 0275520 & 0275521 Installations	
503C	4460428	1	Connector 0275522 & 0275523 Installations	
503D		Ref	Receptacle, Electrical Options:	
503D	4460346	1	Receptacle 0272839 Installation	
503D	Not Available	1	Receptacle 0272843 Installation (Purchase Locally)	
503D	4461244	1	Receptacle 0275472 Installation (Includes Cover)	
503D	4461245	1	Receptacle 0275485 & 1001096628 Installations (Includes Receptacle)	
503D	4461246	1	Receptacle 0275486 Installation (Includes Cover)	
503D	4461198	1	Receptacle 0275487 Installation (Includes Cover)	
503D	4461201	1	Receptacle 0275488 Installation (Includes Cover)	
503D	1001100343	1	Receptacle 0275489 Installation (Includes Receptacle) (was p/n 4461204 & 1001141971)	
503D	1001100344	1	Receptacle 0275490 Installation (Includes Receptacle) (was p/n 4461207 & 1001141970)	
503D	1001141968	1	Receptacle 1001100343 & 1001141971 Service Kit	
503D	1001141969	1	Receptacle 1001100344 & 1001141970 Service Kit	
503E		Ref	Plug End Options:	
503E	4460138	1	Plug End 0272839 Installation (Male)	
503E	Not Available	1	Plug End 0272843 Installation (Purchase Locally)	
503E	4461202	1	Plug End 0275472/0275489 Installations & 1001100343/ 1001141971 Service Kits (Male)	
503E	4461203	1	Plug End 0275472 & 0275489 Installations & 1001100343/ 1001141971 Service Kits (Female)	
503E	4461205	1	Plug End 0275485 & 1001096628 Installations & 1001100344/ 1001141970 Service Kits (Male)	
503E	4461206	1	Plug End 0275485 & 1001096628 Installations & 1001100344/ 1001141970 Service Kits (Female)	
503E	4461249	1	Plug End 0275486 Installation (Male)	
503E	4461250	1	Plug End 0275486 Installation (Female)	
503E	4461196	1	Plug End 0275487 Installation (Male)	
503E	4461197	1	Plug End 0275487 Installation (Female)	
503E	4461199	1	Plug End 0275488 Installation (Male)	
503E	4461200	1	Plug End 0275488 Installation (Female)	
503E	4461202	1	Plug End 0275489 Installation (Male)	
503E	4461203	1	Plug End 0275489 Installation (Female)	
503E	4461205	1	Plug End 0275490 Installation (Male)	
503E	4461206	1	Plug End 0275490 Installation (Female)	
503F		Ref	Hardware Options:	
503F	4010405	AR	Screw M4 x 10mm	
503F	4010408	AR	Screw M4 x 16mm	
503F	4010612	AR	Screw M6 x 16mm	
503F	4191706	AR	Screw M6 x 12mm	
503F	4191708	AR	Screw M6 x 20mm	
503F	0760619	AR	Screw M6 x 55mm	
503F	3290405	AR	Locknut M4	
503F	3290605	AR	Locknut M6	
503F	3290607	AR	Locknut M6	
503F	4811400	AR	Flatwasher M4	
503F	1001091102	AR	Flatwasher M4 Oversize	
503F	4811700	AR	Flatwasher M6	
503G		Ref	Bracket, Receptacle Box Mounting Options:	

SECTION 7 - ELECTRICAL

ITEM	PART NUMBER	QTY	DESCRIPTION	REV
503G	Not Required	0	Bracket, Receptacle Box Mounting 0272839, 0272843, 0275472, 0275485, 0275486 & 1001096628 Installations	
503G	0903569	1	Bracket, Receptacle Box Mounting 0275487, 0275488, 0275489 & 0275490 Installations 1001096628 Installation (2nd Receptacle Box Only)	
503G	0903484	1	Bracket, Receptacle Box Mounting 1001096628 installation (2nd Receptacle Box Only)	
503H	0903566	1	Bracket, Circuit Breaker Mounting (Required Only on CE Spec Installations Except 0272843 Installation)	
503H	01001096627	1	Bracket, Circuit Breaker Mounting (Required Only on CE Spec 1001096628 Installation)	
503J	2902541	AR	Circuit Breaker Box Assembly (Required Only on CE Spec Installations Except 0272843 Installation): (Note: Original box assembly used one single large breaker which is no longer available. For USA Built Machines SN 0200152825 to SN 0200163756 and Belgium Built Machines SN 1200008481 to SN 1200011329 Purchase p/n 2902541 as replacement. For USA Built Machines SN 0200163756 to SN0200191894 & Belgium Built Machines SN 1200011329 to SN1200021491, the one large single may be replaced with 2 breakers.) Purchase qty 1 each of p/ns 1001109475 & 1001109482.	E
		Ref		
503J		Ref	Circuit Breaker Options:	
503J	2902541 See Note	1	Circuit Breaker - USA Built Machines (was p/n 240015) (SN 0200152825 through 0200163755)	
503J	2902541 See Note	1	Circuit Breaker - Belgium Built Machines (was p/n 240015) (SN 1200008481 through 1200011328)	
503J	See Note	1	Circuit Breaker - USA Built Machines (was p/n 2400093) (SN 0200163756 through 0200191893)	
503J	See Note	1	Circuit Breaker - Belgium Built Machines (was p/n 2400093) (SN 1200011329 through 1200021490)	
503J	1001109475	1	Circuit Breaker - 16A USA Built Machines (SN 0200191894 through 0200198014)	
503J	1001109475	1	Circuit Breaker - 16A Belgium Built Machines (SN 1200021491 to Present)	
503J	1001109482	1	Circuit Breaker - 30mA USA Built Machines (SN 0200191894 through 0200198014)	
503J	1001109482	1	Circuit Breaker - Belgium Built Machines (SN 1200021491 to Present)	
503J		Ref	Terminal Block Options:	
503J	250135	1	USA Built Machines (SN 0200152825 through 0200163755)	
503J	250135	1	Belgium Built Machines (SN 1200008481 through 1200011328)	
503J	4460957	1	USA Built Machines (SN 0200163756 through 0200198014)	
503J	4460957	1	Belgium Built Machines (SN 1200011329 to Present)	
503J		Ref	Barrier, Terminal Block Options:	
503J	Not Required	0	USA Built Machines (SN 0200152825 through 0200163755)	
503J	Not Required	0	Belgium Built Machines (SN 1200008481 through 1200011328)	
503J	4460956	1	USA Built Machines (SN 0200163756 through 0200198014)	
503J	4460956	1	Belgium Built Machines (SN 1200011329 to Present)	
503K		Ref	Connector, Strain Relief (Required Only on CE Spec Installations Except 0272843 Installation)	
503K	4460633	1	USA Built Machines (SN 0200152825 through 0200173858)	

SECTION 7 - ELECTRICAL

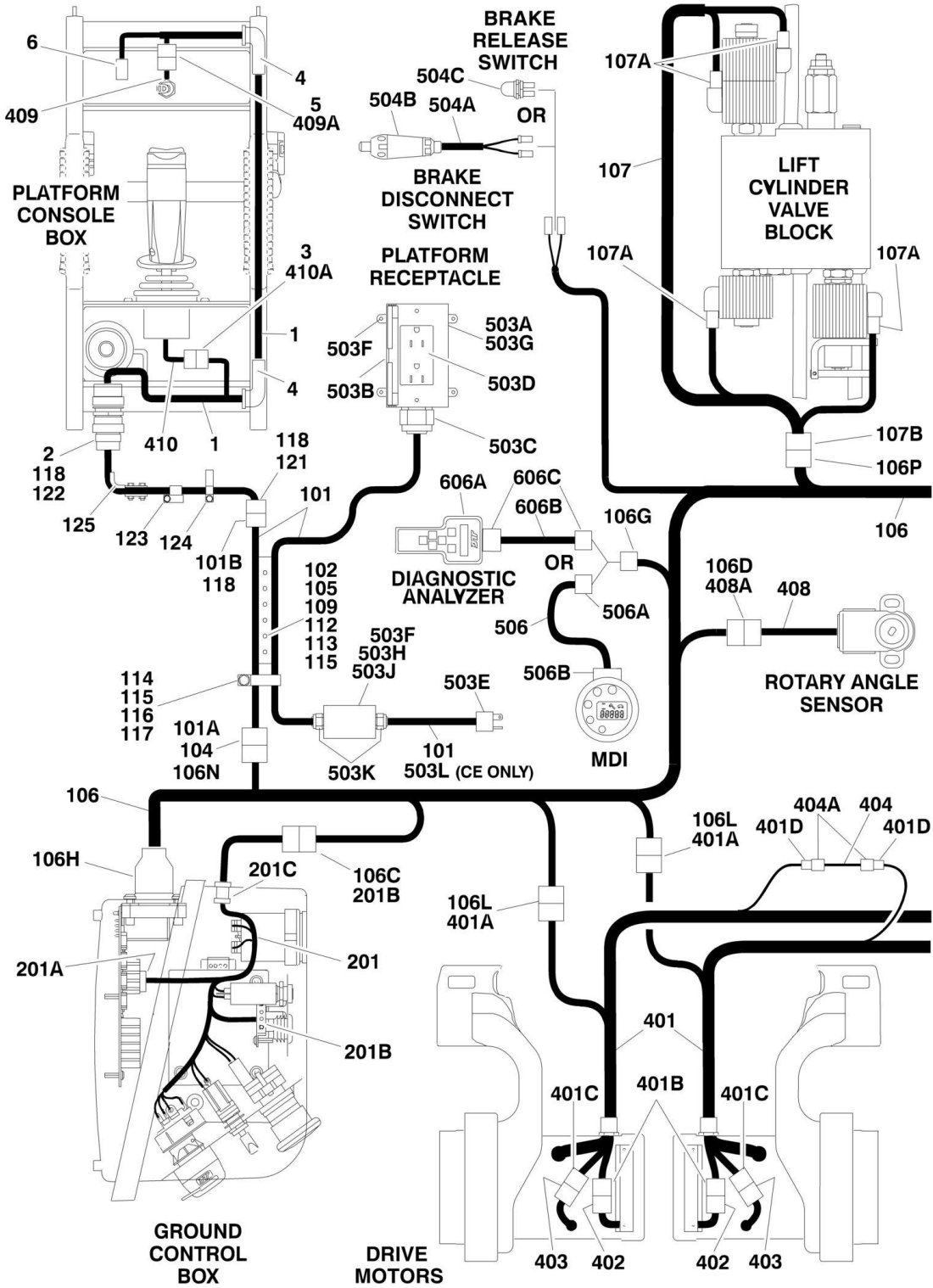
ITEM	PART NUMBER	QTY	DESCRIPTION	REV
503K	4460633	1	Belgium Built Machines (SN 1200008481 through 1200015446)	
503K	1001097150	1	USA Built Machines (SN 0200173859 through 0200198014)	
503K	1001097150	1	Belgium Built Machines (SN 1200015447 to Present)	
503L	1060908	55 in/1.4m	Cable, Extension (Required Only on CE Spec Installations Except 0272843 Installation)	
503M	1060908	55 in/1.4m	Cable, Electrical (Required Only on CE Spec 1001096628 Installation) (Not Shown - Connects 2 Receptacle Boxes)	
	2902431	1	Receptacle Box Kit (110V GFI) (Includes Item 503A-503D) (0272839 Installation)	C
	0275216	1	Receptacle, Box and Plug Kit (110V IEC Yellow) (Includes Items 503A, 503B, 503C and Male 503E Plug End) (0275487 Installation)	1
	0275217	1	Receptacle, Box and Plug Kit (220V IEC Blue) (Includes Items 503A, 503B, 503D and Male 503E Plug End) (0275488 Installation)	1
	0275452	1	Receptacle Box Kit (220V CEE 7 Post Ground with 2x4 Box) (Includes Items 503A, 503B, 503D and Male 503E Plug End) (0275472 Installation)	1
	1001100343	1	Receptacle, Box and Plug Kit (220V CEE 7 Post Ground with 70x70 Box) (Includes Items 503A, 503B, 503D & 503E) (0275489 Installation) (was p/n 0275218 & 1001141971)	B-A
	0275453	1	Receptacle Box Kit (220V CEE 7 Side Ground with 2x4 Box) (Includes Item 503A, 503B, 503D and Male 503E Plug End) (0275485 and 1001096628 Installations)	1
	1001100344	1	Receptacle, Box and Plug Kit (220V CEE 7 Side Ground with 70x70 Box) (Includes Items 503A, 503B, 503D & 503E) (0275490 Installation) (was p/n 0275219 & 1001141970)	B-A
	0275454	1	Receptacle, Box and Plug Kit (220V AFSINT 107 Keyed Ground) (Includes Items 503A, 503B, 503D and Male 503E Plug End) (0275486 Installation)	1
504		Ref	Brake Disconnect /Release Switch Components	
504A	4922944	1	Brake Disconnect Harness and Switch	E
504A	1060680	15 ft/2.7m	Cable, Electrical 18/2	
504A	4240003	1	Strap, Cinch (Not Shown)	
504B	4360613	1	Switch, Limit	
504C	4360387	1	Brake Release Switch	
505		Ref	Battery Charger/Inverter Components (ANSI and CSA Option Only):	
505A	Not Available	1	AC Output Harness (Internal Part of Inverter)	
505B	Not Available	1	Receptacle, Female - 4 Position (Conxall T9014)	
505C	Not Available	1	AC Input Harness (Internal Part of Inverter)	
505D	Not Available	1	Receptacle, Female - 4 Position (Conxall T9016)	
505E	Not Available	1	Remote Control Harness (Internal Part of Inverter)	
505F	Not Available	1	Plug, Male - 8 Position (Conxall 7281-8PG-300)	
505G	1001091479	1	AC Input Harness (was p/n 4923389)	A-D
505H	4460138	1	Plug, Male	
505J	Not Available	1	Plug, Male - 4 Position (Conxall T9017)	
505K	4923390	1	AC Output Harness	D
505L	4460779	1	Receptacle, Female	
505M	Not Available	1	Plug, Male - 4 Position (Conxall T9015)	
505N	4923391	1	Data Interface Harness	D
505P	Not Available	1	Plug, Male - 8 Position (Conxall 6280-8SG-318)	
505R	4460899	1	Receptacle, Female - 6 Position	
505R	4460464	4	Pin, Male	

SECTION 7 - ELECTRICAL

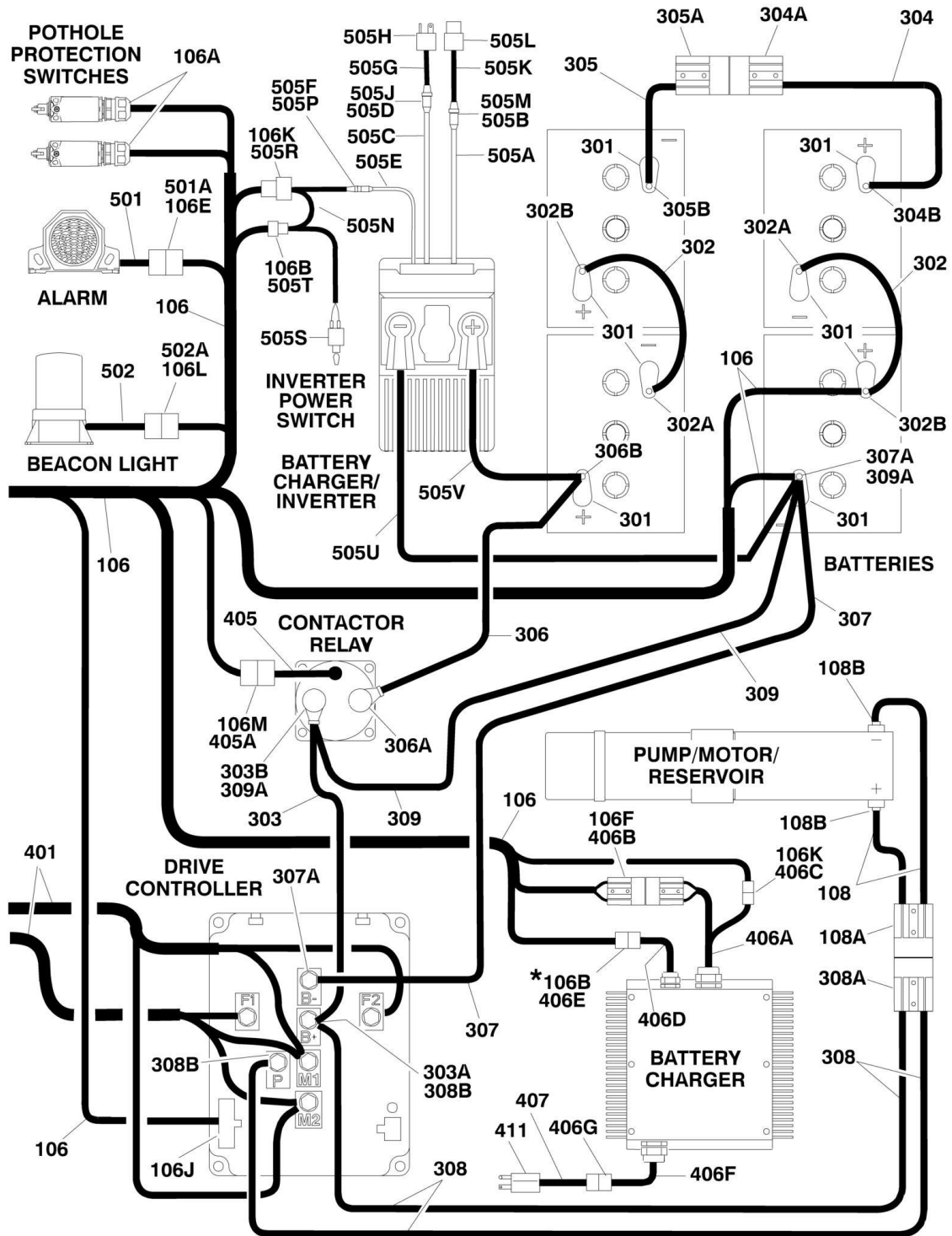
ITEM	PART NUMBER	QTY	DESCRIPTION	REV
505R	4460466	2	Plug, Seal	
505R	3990010	1	Diode 6A/600V	
505S	4360336	1	Switch, Toggle	
505T	4460424	2	Receptacle, Female - 2 Position	
505T	4460267	2	Pin, Male	
505U	4923392	1	Cable, Battery + to Inverter +	A
505V	4923393	1	Cable, Battery - to Inverter -	A
506	1001093556	1	MDI Harness (USA Built Machines Only) (SN 0200168420 through 0200198014)	B
506	1001093556	1	MDI Harness (Belgium Built Machines Only) (SN 1200014906 to Present)	B
506A	4460321	1	Plug, Male	
506A	4460226	4	Socket, Female	
506B	4460868	1	Plug, Male - 6 Position	
506B	4460877	4	Terminal	
506B	1001094105	1	Boot	
		Ref	TOOLS FOR SERVICE	
601	7002821	1	Crimper, Wire (Not Shown)	
602	7002823	1	Extractor, Pin - Universal (Not Shown)	
603	4460467	AR	Extractor, Pin #16 Gauge (Not Shown)	
604	4460510	AR	Extractor, Pin #12 Gauge (Not Shown)	
605	7002828	1	Stripper, Wire (Not Shown)	
606	2901443	1	Analyzer Kit (Not Shown)	
606A	1600244	1	Analyzer	
606B	1060633	1	Cable, Analyzer	
606C	4460321	2	Plug, Male - 4 Position	
606C	4460226	8	Socket, Female	
607	1001137005	1	Software Cables Kit (Not Shown)	

SECTION 7 - ELECTRICAL

FIGURE 7-3. 2030ES/2630ES ELECTRICAL COMPONENTS INSTALLATION



SECTION 7 - ELECTRICAL



*NOTE: THIS CONNECTION USED ONLY WHEN FOOTSWITCH OR BATTERY CHARGER INTERLOCK OPTIONS ARE REQUIRED.

SECTION 7 - ELECTRICAL

FIGURE 7-3. 2030ES/2630ES ELECTRICAL COMPONENTS INSTALLATION

ITEM	PART NUMBER	QTY	DESCRIPTION	REV
		Ref	CONSOLE BOX COMPONENTS	
1	4922870	1	Platform Box Harness	B
2	4461016	1	Connector - 14 Position	
2	4460464	6	Pin, Male	
2	4460466	8	Plug, Sealing	
2	4460496	1	Lockwasher	
2	4460497	1	Nut, Panel	
3	4460265	1	Plug, Male - 9 Position	
3	4460267	8	Pin, Male	
4	2540042	2	Grommet 90	
5	Not Available	1	Receptacle, Female - 3 Position	
6	4461057	1	Plug, Male - 16 Position	
		Ref	PLATFORM CABLES INSTALLATION	
	0274973	Ref	Platform Cables Installation (2030ES) (ANSI, ANSI Export, Japanese and UL Specs)	J
	0275542	Ref	Platform Cables Installation (2030ES) (Australian and CE Specs)	H
	0274974	Ref	Platform Cables Installation (2630ES) (ANSI, ANSI Export, Japanese and UL Specs)	J
	0275543	Ref	Platform Cables Installation (2630ES) (Australian and CE Specs)	H
101		Ref	Platform to Ground Harness Options:	
101	1001094155	1	Harness Platform to Ground Harness (2030ES ANSI, ANSI Export, Japanese and UL Specs)	C
101	1001094333	1	Harness Platform to Ground Harness (2030ES Australian and CE Specs)	B
101	1001094156	1	Harness Platform to Ground Harness (2630ES ANSI, ANSI Export, Japanese and UL Specs)	C
101	1001094334	1	Harness Platform to Ground Harness (2630ES Australian and CE Specs)	B
101A	4460930	1	Plug, Male - 8 Position	
101A	4460465	4	Socket, Female	
101A	4460944	3	Socket, Female (Gold)	
101A	4460466	1	Plug, Sealing	
101A	0840061	1	Boot, 8 Position Plug	
101A	2820026	AR	Insulation, Clear Tubing	
101A	2820028	AR	Heat Shrink	
101B	4460930	1	Plug, Male - 8 Position	
101B	4460465	4	Socket, Female	
101B	4460944	3	Socket, Female (Gold)	
101B	4460466	1	Plug, Sealing	
101B	0840061	1	Boot, 8 Position Plug	
101B	2820026	AR	Insulation, Clear Tubing	
101B	2820028	AR	Heat Shrink	
102	1380158	AR	Retainer	
104	0100048	AR	Grease, Dielectric	
105	4740545	AR	Washer, Special Cable	
106		Ref	Chassis Harness Options:	
106	1001109218	1	Harness USA Built Machines (was p/n 4923449) (SN 0200152825 through 0200195917)	F
106	1001109218	1	Harness Belgium Built Machines (was p/n 4923449) (SN 1200008481 through 1200022846)	F

SECTION 7 - ELECTRICAL

ITEM	PART NUMBER	QTY	DESCRIPTION	REV
106	1001109124	1	Harness USA Built Machines (SN 0200195918 through 0200198014)	B
106	1001109124	1	Harness Belgium Built Machines (SN 1200022847 to Present)	B
106		Ref	Wiring Diagram - Chassis Options:	
106	4933351	Ref	Wiring Diagram - Chassis USA Built Machines (SN 0200152825 through 0200195917)	C
106	4933351	Ref	Wiring Diagram - Chassis Belgium Built Machines (SN 1200008481 through 1200022846)	C
106	1001109123	Ref	Wiring Diagram - Chassis USA Built Machines (SN 0200195918 through 0200198014)	A
106	1001109123	Ref	Wiring Diagram - Chassis Belgium Built Machines (SN 1200022847 to Present)	A
106	3990013	2	Diode 1 Amp/400V (Not Shown)	
106A		Ref	Switch, Limit Options:	
106A	1001109345	2	Switch, Limit USA Built Machines (was p/n 4360633) (SN 0200152825 through 0200195917)	
106A	1001109345	2	Switch, Limit Belgium Built Machines (was p/n 4360633) (SN 1200008481 through 1200022846)	
106A	1001109088	2	Switch, Limit USA Built Machines (SN 0200195918 through 0200198014)	
106A	1001109088	2	Switch, Limit Belgium Built Machines (SN 1200022847 to Present)	
106A	4460884	2	Plug, Male 4 Position (Use with p/n 1001109088 Switch)	
106A	4460465	4	Socket, Female (Use with p/n 1001109088 Switch)	
106B	4460320	1	Plug, Male - 2 Position (Note: Connection to this plug used only when footswitch or battery interlock options are required)	
106B	4460226	2	Socket, Female	
106C	4460321	1	Plug, Male - 4 Position	
106C	4460227	4	Pin, Male	
106D	4460539	1	Plug, Male - 3 Position	
106D	4460465	3	Socket, Female	
106E	4460539	1	Plug, Male - 3 Position	
106E	4460465	2	Socket, Female	
106F	4460648	1	Connector, Anderson	
106G	4460761	1	Receptacle, Female - 4 Position	
106G	4460227	4	Pin, Male	
106H	4460814	1	Plug, Male - 40 Position	
106H	4460465	31	Socket, Female	
106H	4460944	6	Socket, Female (Gold)	
106H	0840057	1	Boot	
106J	4460870	1	Plug, Male - 12 Position	
106J	4460877	4	Pin, Male	
106K	4460894	1	Plug, Male - 6 Position	
106K	4460465	4	Socket, Female	
106K	0840059	1	Boot	
106L	4460897	3	Receptacle, Female - 2 Position	
106L	4460464	6	Pin, Male	
106M	4460897	1	Receptacle, Female - 2 Position	
106M	4460465	2	Socket, Female	
106N	4460931	1	Receptacle, Female - 8 Position	
106N	4460464	4	Pin, Male	
106N	4460943	3	Pin, Male (Gold)	
106N	0840058	1	Boot	
106P	4460899	1	Connector, Female - 6 Position	

SECTION 7 - ELECTRICAL

ITEM	PART NUMBER	QTY	DESCRIPTION	REV
106P	4460464	6	Pin, Male	
106R	4460931	1	Receptacle, Female - 8 Position	
106R	4460464	4	Pin, Male	
106T	4460930	1	Plug, Male - 8 Position	
106T	4460466	1	Seal, Plug	
107	4923350	1	Lift Cylinder Harness	D
107A	4460891	4	Plug, Male - 2 Position	
107A	4460465	8	Socket, Female	
107B	4460894	1	Plug, Male - 6 Position	
107B	4460465	6	Socket, Female	
107B	0840059	1	Boot	
108		Ref	Power to Pump Motor Harness Options:	
108	4923271	1	Power to Pump Motor Harness USA Built Machines (SN 0200152825 through 0200172052)	C
108	4923271	1	Power to Pump Motor Harness Belgium Built Machines (SN 1200008481 through 1200014905)	C
108	1001096794	1	Power to Pump Motor Harness USA Built Machines (SN 0200172053 through 0200198014)	B
108	1001096794	1	Power to Pump Motor Harness Belgium Built Machines (SN 1200014906 to Present)	B
108A		Ref	Connector, Anderson Options:	
108A	Not Available		Connector Red	
108A	Not Available		Connector Gray	
108B	0840041	2	Boot, Terminal (Red)	
109		Ref	Screw M6 Options:	
109	0760610	AR	Screw 20mm Length	
109	0760614	AR	Screw 30mm Length	
111		Ref	Battery Cable Kit Options (See Item 301- 309 for Breakdown):	
111	2902509		Battery Cable Kit USA Built Machines (SN 0200152825 through 0200172052)	
111	2902509	1	Battery Cable Kit Belgium Built Machines (SN 1200008481 through 1200014905)	
111	1001096799		Battery Cable Kit USA Built Machines (SN 0200172053 through 0200198014)	
111	1001096799	1	Battery Cable Kit Belgium Built Machines (SN 1200014906 to Present)	
112	3290607	4	Nut M6	
113	4811700	2	Flatwasher M6	
114	1321716	2	Clamp	
115	3290605	AR	Locknut M6	
116	4031713	AR	Capscrew, Socket Head M6 x 45mm	
117	4811700	AR	Flatwasher M6	
118		Ref	Platform to Control Box Coiled Cable Harness Options:	
118	1001104467	1	Harness USA Built Machines (Repair Kit p/n 1001104467 Includes Items 101B & 121-125) (SN 0200152825 through 0200168419)	A
118	1001104467	1	Harness Belgium Built Machines (Repair Kit p/n 1001104467 Includes Items 101B & 121-125) (SN 1200008481 through 1200014905)	A
118	1001096706	1	Harness USA Built Machines (Includes Items 121 & 122) (SN 0200168420 through 0200198014)	A
118	1001096706	1	Harness Belgium Built Machines (Includes Items 121 & 122) (SN 1200014906 to Present)	A
121	4460931	1	Receptacle, Female - 8 Position	

SECTION 7 - ELECTRICAL

ITEM	PART NUMBER	QTY	DESCRIPTION	REV
121	4460464	4	Pin, Male	
121	4460943	3	Pin, Male (Gold)	
121	4460466	1	Plug, Sealing	
121	0840058	1	Boot, 8 Position Receptacle	
121	2820026	AR	Insulation, Clear Tubing	
121	2820028	AR	Heat Shrink	
122	4460754	1	Connector -14 Position	
122	4460465	4	Socket, Female	
122	4460944	3	Socket, Female	
122	4460466	4	Plug, Sealing	
122	3730119	1	Resistor	
122	4460493	1	Cap, Dust	
122	2820026	AR	Insulation, Clear Tubing	
123	1001094175	AR	Clamp, Post	
123	4010617	AR	Screw M6 x 45mm	
123	3290606	AR	Nut, Acorn M6	
124	1001094180	4	Clamp, Rail	
124	0760606	4	Screw M6 x 12mm	
124	3290606	4	Nut, Acorn M6	
125	1001104465	AR	Hook, Corner	
125	4010617	AR	Screw M6 x 45mm	
125	3290606	AR	Nut, Acorn M6	
		Ref	GROUND CONTROL BOX COMPONENTS	
201	4922865	1	Control Box Harness	E
201A	4460265	1	Plug, Male - 9 Position	
201A	4460268	9	Socket, Female	
201B	4460761	2	Receptacle, Female - 4 Position	
201B	4460267	8	Pin, Male	
201C	Not Available	1	Grommet (Molded in Part of Harness)	
201D	4460418	1	Receptacle, Female - 3 Position	
201D	4460419	3	Terminal	
		Ref	BATTERY CABLE KITS	
	2902509	Ref	USA Built Machines (SN 0200152825 through 0200172052)	F
	2902509	Ref	Belgium Built Machines (SN 1200008481 through 1200014905)	F
	1001096799	Ref	USA Built Machines (SN 0200172053 through 0200198014)	C
	1001096799	Ref	Belgium Built Machines (SN 1200014906 to Present)	C
301	0840060	8	Boot, Terminal (Gray) (Covers only the Battery Terminal Base)	
302	1060998	2	Cable, Battery (Battery Positive to Battery Negative)	E
302A	Not Available	2	Boot, Terminal (Black) (1 Per Cable Assembly)	
302B	Not Available	2	Boot, Terminal (Red) (1 Per Cable Assembly)	
303	1061001	1	Cable, Battery (Contactor to Drive Module B+)	E
303A	Not Available	1	Boot, Terminal (Black)	
303B	Not Available	1	Boot, Terminal (Red)	
304	1001127523	1	Cable, Battery (LH Battery to Disconnect) (was p/n 4923413)	B-E
304A	4460618	1	Connector, Anderson	
304A	2560205	1	Handle, Connector	
304B	Not Available	1	Boot, Terminal (Red)	
305	4923414	1	Cable, Battery (RH Batteries to Disconnect)	E
305A	4460618	1	Connector, Anderson	
305B	Not Available	1	Boot, Terminal (Black)	
306	4923415	1	Cable, Battery (RH Battery to Contactor)	C

SECTION 7 - ELECTRICAL

ITEM	PART NUMBER	QTY	DESCRIPTION	REV
306A	Not Available	1	Boot, Terminal (Black)	
306B	Not Available	1	Boot, Terminal (Red)	
307	4923416	1	Cable, Battery (LH Battery to Connector B-)	B
307A	Not Available	1	Boot, Terminal (Black)	
308		Ref	Cable, Battery (Power to Pump Motor)	
308	4923272	2	Cable USA Built Machines (SN 0200152825 through 0200172052)	C
308	4923272	2	Cable Belgium Built Machines (SN 1200008481 through 1200014905)	C
308	1001096795	2	Cable USA Built Machines (SN 0200172053 through 0200198014)	C
308	1001096795	2	Cable Belgium Built Machines (SN 1200014906 to Present)	C
308A		Ref	Connector, Anderson Options:	
308A	Not Available		Connector, Red	
308A	Not Available		Connector, Gray	
308B	0840041	1	Boot, Terminal (Red)	
309 AND 309	Not Required	0	Not Required	
		Ref	STANDARD HARNESSSES	
401		Ref	Drive Motor/Brake Harness Options:	
401	1001099676	2	Harness USA Built Machines (was p/n 7024770 & 7024775) (SN 0200152825 through 0200170584)	
401	1001099676	2	Harness Belgium Built Machines (was p/n 7024770 & 7024775) (SN 1200008481 through 1200015158)	
401	1001134012	2	Harness USA Built Machines (was p/n 1001091843) (SN 0200170585 through 0200198014)	
401	1001134012	2	Harness Belgium Built Machines (was p/n 1001091843) (SN 1200015159 to Present)	
401A	4460891	2	Plug, Male - 2 Position (1 Per Harness)	
401A	4460465	4	Socket, Female (2 Per Harness)	
401B	70001442	2	Plug, Male - 2 Position (1 Per Harness) (To Brake)	
401B	Not Available	4	Socket, Female (2 Per Harness) (To Brake)	
401C	70001443	2	Plug, Male - 2 Position (1 Per Harness) (To Motor)	
401C	70001444	4	Socket, Female (2 Per Harness) (To Motor)	
401D		Ref	Connector Options:	
401D	Not Available	1	Connector USA Built Machines Use Butt Connector (Purchase Locally) (SN 0200152825 through 0200156116)	
		Ref	Note: P/N 7024770 Harness is equipped with a connector at this location. When replacing, clip connector and butt splice to Drive Harness from opposite side.	
401D	4461261	1	Connector USA Built Machines Use Plug, Male - 1 Position (SN 0200156117 through 0200198014)	
401D	4461261	1	Connector All Belgium Built Machines Use Plug, Male - 1 Position	
401D	4460509	1	Connector USA Built Machines Use Terminal (SN 0200156117 through 0200198014)	
401D	4460509	1	All Belgium Built Machines Use Terminal	
402	Not Available	2	Harness, Brake (Internal Connections - Purchase Complete)	
402	Not Available	2	Receptacle, Female - 2 Position (1 Per Harness)	
402	Not Available	4	Pin, Male (2 Per Harness)	
403	Not Available	2	Harness, Motor (Internal Connections - Purchase Complete Motor)	
403	Not Available	2	Receptacle, Female - 2 Position (1 Per Harness)	
403	Not Available	4	Pin, Male (2 Per Harness)	
404	4923602	2	Harness, Field Wire Connection	B

SECTION 7 - ELECTRICAL

ITEM	PART NUMBER	QTY	DESCRIPTION	REV
404A	4461260	2	Receptacle, Female - 1 Position	
404A	4460508	2	Terminal	
405	3740150	1	Contact Relay Harness (Includes Relay)	
405A	4460891	1	Plug, Male - 2 Position	
405A	4460465	2	Socket, Female	
406		Ref	Battery Charger Components	
406A	Not Available		DC Harness/Cord Set	
406B	4460648	1	Plug, Anderson	
406C	4460899	1	Connector, Female - 6 Position	
406C	4460464	6	Pin, Male	
406D	Not Available	1	Harness with Connector (Note: Connection to this plug used only when battery interlock options are required)	
406E	4460424	1	Connector, Female - 2 Position (Note: Connection to this plug used only when battery interlock options are required)	
406E	4460227	2	Pin, Male	
406F	Not Available	1	AC Harness/Cord Set	
406G	Not Available	1	Connector, Female	
407		Ref	Cable, AC Power to Charger Options:	
407	1060688	1	Cable With Factory Supplied Plug (Black)	
407	1001103257	1	Cable With Factory Supplied Plug (Orange)	
407	1060689	1	Cable With Locally Supplied Plug (Black)	
407	1001103258	1	Cable With Locally Supplied Plug (Orange)	
408	1001092354	1	Rotary Angle Sensor and Harness (Separate Harness Not Available) (was p/n 4360526)	
408A	4460536	1	Receptacle, Female - 3 Position	
408A	4460464	3	Pin, Male	
409	4360539	1	Toggle Switch and Harness (No Separate Harness Available)	
409A	Not Available	1	Plug, Male - 3 Position	
410	Not Available	1	Joystick Harness	
410A	4460266	1	Receptacle, Female - 9 Position	
410A	4460226	8	Socket, Female	
411		Ref	Plug Options:	
411	Not Available		ANSI Spec Plug (Use p/n 1001103257)	
411	Not Available		Australian and Japanese Specs (Purchase Locally)	
411		Ref	CE Spec Options:	
411	0275666	Ref	IEC Yellow Receptacle Installation	A
411	4461196	Ref	Receptacle, IEC Yellow	
411	0276667	Ref	IEC Blue Receptacle Installation	A
411	4661199	Ref	Receptacle, IEC Blue	
411	0275665	Ref	AFSINT 107 Keyed Ground Receptacle Installation	A
411	4661249	Ref	Receptacle, AFSINT 107 Keyed Ground	
411	0275663	Ref	CEE 7 Post Ground Receptacle Installation	A
411	4661202	Ref	Receptacle, CEE 7 Post Ground	
411	0275664	Ref	CEE 7 Side Ground Receptacle Installation	A
411	4661205	Ref	Receptacle, CEE 7 Side Ground	
		Ref	OPTIONAL HARNESSES	
501	0140043	1	Alarm and Harness (Separate Harness Not Available)	
501A	4460536	1	Receptacle, Female - 3 Position	
501A	4460464	3	Pin, Male	
502	2920161	1	Beacon Light and Harness (Separate Harness Not Available)	
502A	4460891	1	Plug, Male - 2 Position (1 Per Harness)	
502A	4460465	2	Socket, Female (2 Per Harness)	

SECTION 7 - ELECTRICAL

ITEM	PART NUMBER	QTY	DESCRIPTION	REV
503		Ref	Platform Electrical Outlet Components	
503		Ref	ANSI, ANSI Export, CSA, Japanese and UL Specs Options:	
503	0272839	Ref	110V with Receptacle and Plug	H
503	0272843	Ref	220V without Receptacle and Plug (Locally Supplied Components)	F
503		Ref	Australian Specs Options:	
503	0272843	Ref	220V without Receptacle and Plug (Locally Supplied Components)	F
503		Ref	CE Specs Options:	
503	0275487	Ref	110V with IEC Yellow Receptacle and Plug and Circuit Breaker (was p/n 0275513)	C
503	0272843	Ref	220V without Receptacle and Plug (Locally Supplied Components)	F
503	0275488	Ref	220V with IEC Blue Receptacle and Plug and Circuit Breaker (was p/n 0275514)	C
503	0275486	Ref	220V with AFSINT 107 Keyed Ground Receptacle and Plug and Circuit Breaker (was p/n 0275512)	C
503	0275472	Ref	220V with CEE 7 Post Ground Receptacle and Plug and Circuit Breaker (2x4 Box) (was p/n 0275510)	C
503	0275489	Ref	220V with CEE 7 Post Ground Receptacle and Plug and Circuit Breaker (70x70 Box) (was p/n 0275515)	D
503	0275485	Ref	220V with CEE 7 Side Ground Receptacle and Plug and Circuit Breaker (2x4 Single Box) (was p/n 0275511)	C
503	1001096628	Ref	220V with CEE 7 Side Ground Receptacle and Plug and Circuit Breaker (2x4 Dual Boxes)	A
		Ref	Note: Qty shown is for single Receptacle Box. Double Qty listed for Dual Receptacle Boxes.	
503	0275490	Ref	220V with CEE 7 Side Ground Receptacle and Plug and Circuit Breaker (70x70 Box) (was p/n 0275516)	D
503		Ref	Decal - AC Power (Not Shown)	
503	1703464	1	Decal 110V	
503	3252507	1	Decal 220V	
503A		Ref	Box, Switch Options:	
503A	0861731	1	Box, Switch 0272839, 0275472, 0275485, 0275486 & 1001096628 Installations	
503A	Not Available	1	Box, Switch 0272843 Installation (Purchase Locally)	
503A	4460315	1	Box, Switch 0272839 Installation (Terminal, Spade) (Not Shown)	
503A	0861781	1	Box, Switch 0275487 & 0275488 Installations	
503A	See Note	1	Box, Switch 0275774/0275775 Installations (Note: Was p/n 0861782 which is no longer available. Use p/n 100110344 CEE 7 Side Ground Service Kit or p/n 1001100343 CEE 7 Post Ground Service Kit. Kits includes Box p/n 1001141967 & items 503B, 503D & 503E.)	
503A	1001141967	1	Box, Switch 1001100343, 1001100344, 1001141970 & 1001141971 Service Kits	
503B		Ref	Cover Options:	
503B	1671207	1	Cover 0272839 Installation	
503B	Not Available	1	Cover 0272843 Installation (Purchase Locally)	
503B	4461244	1	Cover 0275472 Installation (Includes Receptacle)	
503B	4461245	1	Cover 0275485 & 1001096628 Installations (Includes Receptacle)	
503B	4461246	1	Cover 0275486 Installation (Includes Receptacle)	
503B	4461198	1	Cover 0275487 Installation (Includes Receptacle)	
503B	4461201	1	Cover 0275488 Installation (Includes Receptacle)	
503B	1001100343	1	Cover 0275489 Installation (Includes Receptacle) (was p/n	

SECTION 7 - ELECTRICAL

ITEM	PART NUMBER	QTY	DESCRIPTION	REV
503B	1001100344	1	4461204 & 1001141971) Cover 0275490 Installation (Includes Receptacle) (was p/n 4461207 & 1001141970)	
503B	1001141968	1	Cover 1001100343 & 1001141971 Service Kits	
503B	1001141969	1	Cover 1001100344 & 1001141970 Service Kits	
503C		Ref	Connector, Strain Relief Options:	
503C	4460662	1	Connector 0272839, 0275472, 0275485, 0275486 & 1001096628 Installations	
503C	Not Available	1	Connector 0272843 Installation (Purchase Locally)	
503C	4461257	1	Connector 0275487, 0275488, 0275489 & 0275490 Installations (90)	
503C	4461258	1	Connector 0275487, 0275488, 0275489 & 0275490 Installations (Adapter)	
503C	4460633	1	Connector 0275520 & 0275521 Installations	
503C	4460428	1	Connector 0275522 & 0275523 Installations	
503D		Ref	Receptacle, Electrical Options:	
503D	4460346	1	Receptacle 0272839 Installation	
503D	Not Available	1	Receptacle 0272843 Installation (Purchase Locally)	
503D	4461244	1	Receptacle 0275472 Installation (Includes Cover)	
503D	4461245	1	Receptacle 0275485 & 1001096628 Installations (Includes Receptacle)	
503D	4461246	1	Receptacle 0275486 Installation (Includes Cover)	
503D	4461198	1	Receptacle 0275487 Installation (Includes Cover)	
503D	4461201	1	Receptacle 0275488 Installation (Includes Cover)	
503D	1001100343	1	Receptacle 0275489 Installation (Includes Receptacle) (was p/n 4461204 & 1001141971)	
503D	1001100344	1	Receptacle 0275490 Installation (Includes Receptacle) (was p/n 4461207 & 1001141970)	
503D	1001141968	1	Receptacle 1001100343 & 1001141971 Service Kits	
503D	1001141969	1	Receptacle 1001100344 & 1001141970 Service Kits	
503E		Ref	Plug End Options:	
503E	4460138	1	Plug End 0272839 Installation (Male)	
503E	Not Available	1	Plug End 0272843 Installation (Purchase Locally)	
503E	4461202	1	Plug End 0275472/ 0275489 Installations & 1001100343/ 1001141971 Kits (Male)	
503E	4461203	1	Plug End 0275472 & 0275489 Installations & 1001100343/ 1001141971 Kits (Female)	
503E	4461205	1	Plug End 0275485/ 1001096628 Installations & 1001100344/ 1001141970 Kits (Male)	
503E	4461206	1	Plug End 0275485 & 1001096628 Installations & 1001100344/ 1001141970 Kits (Female)	
503E	4461249	1	Plug End 0275486 Installation (Male)	
503E	4461250	1	Plug End 0275486 Installation (Female)	
503E	4461196	1	Plug End 0275487 Installation (Male)	
503E	4461197	1	Plug End 0275487 Installation (Female)	
503E	4461199	1	Plug End 0275488 Installation (Male)	
503E	4461200	1	Plug End 0275488 Installation (Female)	
503E	4461202	1	Plug End 0275489 Installation (Male)	
503E	4461203	1	Plug End 0275489 Installation (Female)	
503E	4461205	1	Plug End 0275490 Installation (Male)	
503E	4461206	1	Plug End 0275490 Installation (Female)	
503F		Ref	Hardware Options:	
503F	4010405	AR	Screw M4 x 10mm	
503F	4010408	AR	Screw M4 x 16mm	

SECTION 7 - ELECTRICAL

ITEM	PART NUMBER	QTY	DESCRIPTION	REV
503F	4010612	AR	Screw M6 x 16mm	
503F	4191706	AR	Screw M6 x 12mm	
503F	4191708	AR	Screw M6 x 20mm	
503F	0760619	AR	Screw M6 x 55mm	
503F	3290405	AR	Locknut M4	
503F	3290605	AR	Locknut M6	
503F	3290607	AR	Locknut M6	
503F	4811400	AR	Flatwasher M4	
503F	1001091102	AR	Flatwasher M4 Oversize	
503F	4811700	AR	Flatwasher M6	
503G		Ref	Bracket, Receptacle Box Mounting Options:	
503G	Not Required	0	Bracket, Receptacle Box Mounting 0272839, 0272843, 0275472, 0275485, 0275486 & 1001096628 Installations	
503G	0903569	1	Bracket, Receptacle Box Mounting 0275487, 0275488, 0275489 & 0275490 Installations	
503G	0903484	1	Bracket, Receptacle Box Mounting 1001096628 Installation (2nd Receptacle Box Only)	
503H	0903566	1	Bracket, Circuit Breaker Mounting (Required Only on CE Spec Installations Except 0272843 Installation)	
503H	01001096627	1	Bracket, Circuit Breaker Mounting (Required Only on CE Spec 1001096628 Installation)	
503J	2902541	AR	Circuit Breaker Box Assembly (Required Only on CE Spec Installations Except 0272843 Installation):	E
		Ref	Note: Original box assembly used one single large breaker which is no longer available. For USA Built Machines SN 0200152825 to SN 0200163756 and Belgium Built Machines SN 1200008481 to SN 1200011329 Purchase p/n 2902541 as replacement. For USA Built Machines SN 0200163756 to SN0200191894 and Belgium Built Machines SN 1200011329 to SN1200021491, the one large single may be replaced with 2 breakers. Purchase qty 1 each of p/ns 1001109475 & 1001109482.	
503J		Ref	Circuit Breaker Options:	
503J	2902541 See Note	1	Circuit Breaker - USA Built Machines (was p/n 240015) (SN 0200152825 through 0200163755)	
503J	2902541 See Note	1	Circuit Breaker - Belgium Built Machines (was p/n 240015) (SN 1200008481 through 1200011328)	
503J	See Note	1	Circuit Breaker - USA Built Machines (was p/n 2400093) (SN 0200163756 through 0200191894)	
503J	See Note	1	Circuit Breaker - Belgium Built Machines (was p/n 2400093) (SN 1200011329 through 1200021490)	
503J	1001109475	1	Circuit Breaker - 16A USA Built Machines (SN 0200191894 through 0200198014)	
503J	1001109475	1	Circuit Breaker - 16A Belgium Built Machines (SN 1200021491 to Present)	
503J	1001109482	1	Circuit Breaker - 30mA USA Built Machines (SN 0200191894 through 0200198014)	
503J	1001109482	1	Circuit Breaker - 30mA Belgium Built Machines (SN 1200021491 to Present)	
503J		Ref	Terminal Block Options:	
503J	250135	1	Terminal Block USA Built Machines (SN 0200152825 through 0200163755)	
503J	250135	1	Terminal Block Belgium Built Machines (SN 1200008481 through 1200011328)	
503J	4460957	1	Terminal Block USA Built Machines (SN 0200163756 through 0200198014)	
503J	4460957	1	Terminal Block Belgium Built Machines (SN 1200011329	

SECTION 7 - ELECTRICAL

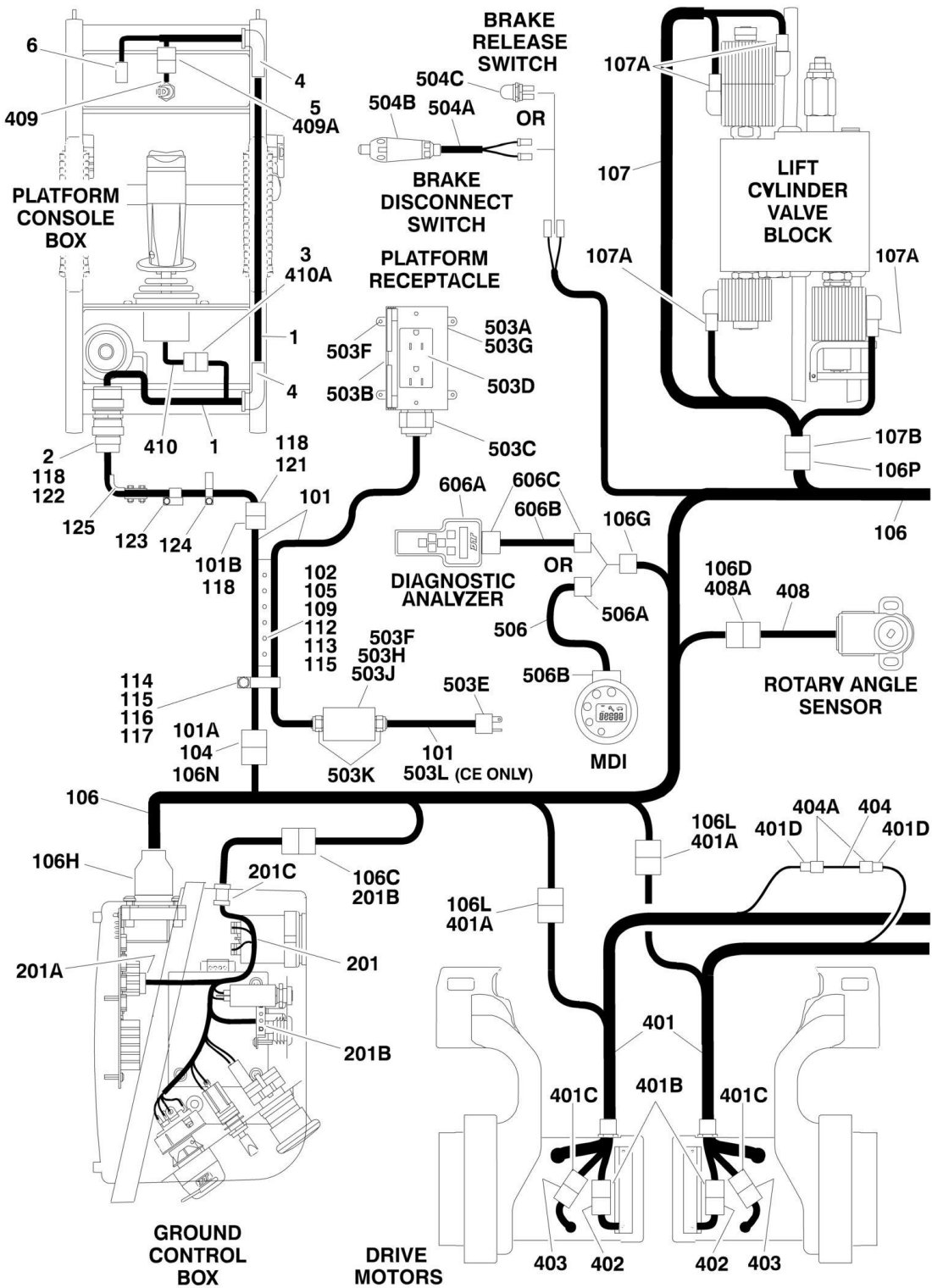
ITEM	PART NUMBER	QTY	DESCRIPTION	REV
			to Present)	
503J		Ref	Barrier, Terminal Block Options:	
503J	Not Required	0	Barrier, Terminal Block USA Built Machines (SN 0200152825 through 0200163755)	
503J	Not Required	0	Barrier, Terminal Block Belgium Built Machines (SN 1200008481 through 1200011328)	
503J	4460956	1	Barrier, Terminal Block USA Built Machines (SN 0200163756 through 0200198014)	
503J	4460956	1	Barrier, Terminal Block Belgium Built Machines (SN 1200011329 to Present)	
503K		Ref	Connector, Strain Relief (Required Only on CE Spec Installations Except 0272843 Installation)	
503K	4460633	1	Connector, Strain Relief USA Built Machines (SN 0200152825 through 0200173858)	
503K	4460633	1	Connector, Strain Relief Belgium Built Machines (SN 1200008481 through 1200015446)	
503K	1001097150	1	Connector, Strain Relief USA Built Machines (SN 0200173859 through 0200198014)	
503K	1001097150	1	Connector, Strain Relief Belgium Built Machines (SN 1200015447 to Present)	
503L	1060908	55 in/1.4m	Cable, Extension (Required Only on CE Spec Installations Except 0272843 Installation)	
503M	1060908	55 in/1.4m	Cable, Electrical (Required Only on CE Spec 1001096628 Installation) (Not Shown - Connects 2 Receptacle Boxes)	
	2902431	1	Receptacle Box Kit (110V GFI) (Includes Item 503A-503D) (0272839 Installation)	C
	0275216	1	Receptacle, Box and Plug Kit (110V IEC Yellow) (Includes Items 503A, 503B, 503C & Male 503E Plug End) (0275487 Installation)	1
	0275217	1	Receptacle, Box and Plug Kit (220V IEC Blue) (Includes Items 503A, 503B, 503D & Male 503E Plug End) (0275488 Installation)	1
	0275452	1	Receptacle Box Kit (220V CEE 7 Post Ground with 2x4 Box) (Includes Items 503A, 503B, 503D & Male 503E Plug End) (0275472 Installation)	1
	1001100343	1	Receptacle, Box and Plug Kit (220V CEE 7 Post Ground with 70x70 Box) (Includes Items 503A, 503B, 503D & 503E) (0275489 Installation) (was p/n 0275218 & 1001141971)	B-A
	0275453	1	Receptacle Box Kit (220V CEE 7 Side Ground with 2x4 Box) (Includes Item 503A, 503B, 503D & Male 503E Plug End) (0275485 & 1001096628 Installations)	1
	1001100344	1	Receptacle, Box and Plug Kit (220V CEE 7 Side Ground with 70x70 Box) (Includes Items 503A, 503B, 503D & 503E) (0275490 Installation) (was p/n 0275219 & 1001141970)	B-A
	0275454	1	Receptacle, Box and Plug Kit (220V AFSINT 107 Keyed Ground) (Includes Items 503A, 503B, 503D & Male 503E Plug End) (0275486 Installation)	1
504		Ref	Brake Disconnect /Release Switch Components	
504A	4922944	1	Brake Disconnect Harness and Switch	E
504A	1060680	15 ft/2.7m	Cable, Electrical 18/2	
504A	4240003	1	Strap, Cinch (Not Shown)	
504B	4360613	1	Switch, Limit	
504C	4360387	1	Brake Release Switch	
505		Ref	Battery Charger/Inverter Components (ANSI and CSA Option Only):	
505A	Not Available	1	AC Output Harness (Internal Part of Inverter)	
505B	Not Available	1	Receptacle, Female - 4 Position (Conxall T9014)	

SECTION 7 - ELECTRICAL

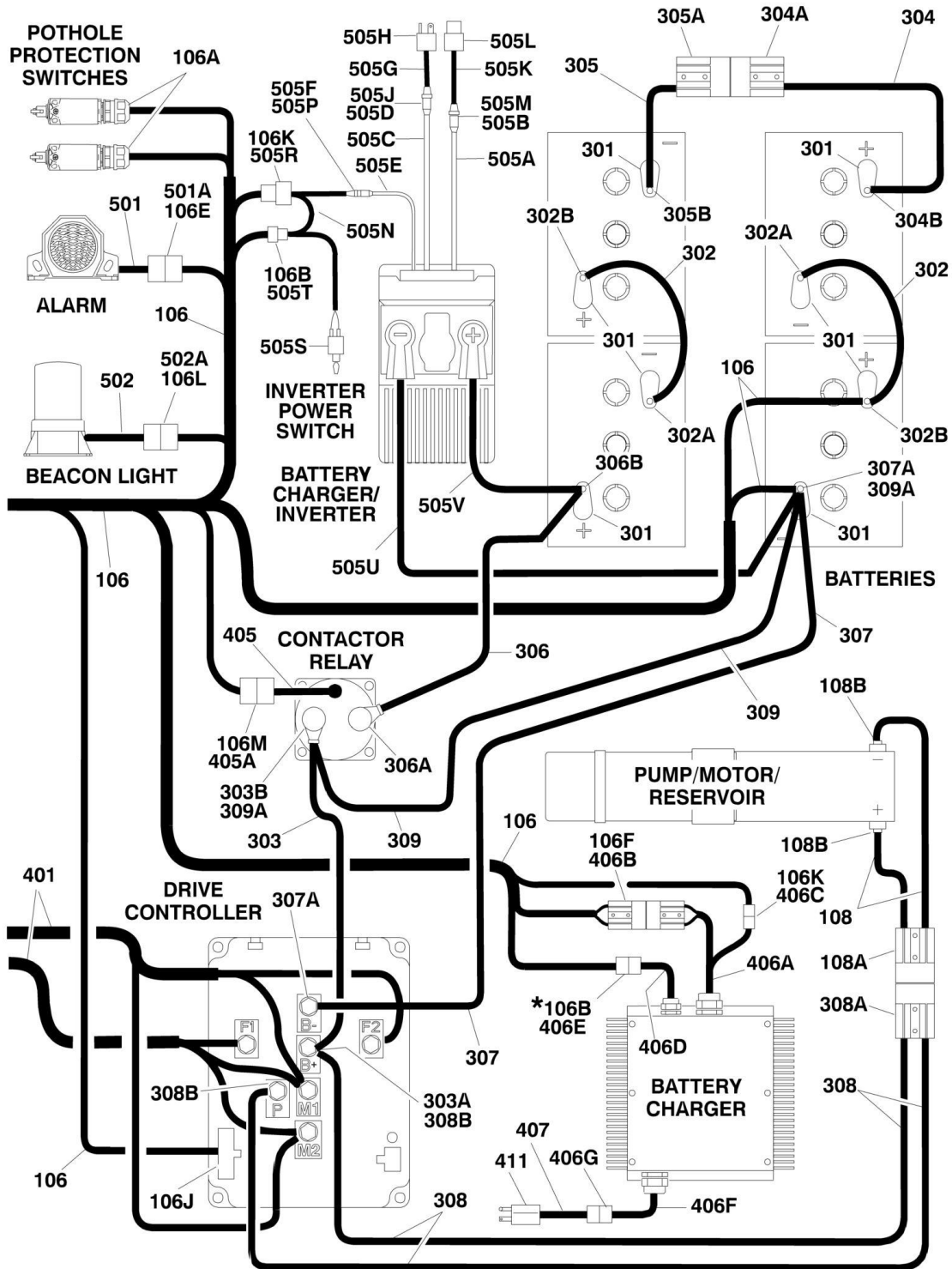
ITEM	PART NUMBER	QTY	DESCRIPTION	REV
505C	Not Available	1	AC Input Harness (Internal Part of Inverter)	
505D	Not Available	1	Receptacle, Female - 4 Position (Conxall T9016)	
505E	Not Available	1	Remote Control Harness (Internal Part of Inverter)	
505F	Not Available	1	Plug, Male - 8 Position (Conxall 7281-8PG-300)	
505G	1001091479	1	AC Input Harness (was p/n 4923389)	A-D
505H	4460138	1	Plug, Male	
505J	Not Available	1	Plug, Male - 4 Position (Conxall T9017)	
505K	4923390	1	AC Output Harness	D
505L	4460779	1	Receptacle, Female	
505M	Not Available	1	Plug, Male - 4 Position (Conxall T9015)	
505N	4923391	1	Data Interface Harness	D
505P	Not Available	1	Plug, Male - 8 Position (Conxall 6280-8SG-318)	
505R	4460899	1	Receptacle, Female - 6 Position	
505R	4460464	4	Pin, Male	
505R	4460466	2	Plug, Seal	
505R	3990010	1	Diode 6A/600V	
505S	4360336	1	Switch, Toggle	
505T	4460424	2	Receptacle, Female - 2 Position	
505T	4460267	2	Pin, Male	
505U	4923392	1	Cable, Battery + to Inverter +	A
505V	4923393	1	Cable, Battery - to Inverter -	A
506	1001093556	1	MDI Harness (USA Built Machines Only) (SN 0200168420 through 0200198014)	B
506	1001093556	1	MDI Harness (Belgium Built Machines Only) (SN 1200014906 to Present)	B
506A	4460321	1	Plug, Male	
506A	4460226	4	Socket, Female	
506B	4460868	1	Plug, Male - 6 Position	
506B	4460877	4	Terminal	
506B	1001094105	1	Boot	
		Ref	Tools for Service	
601	7002821	1	Crimper, Wire (Not Shown)	
602	7002823	1	Extractor, Pin - Universal (Not Shown)	
603	4460467	AR	Extractor, Pin #16 Gauge (Not Shown)	
604	4460510	AR	Extractor, Pin #12 Gauge (Not Shown)	
605	7002828	1	Stripper, Wire (Not Shown)	
606	2901443	1	Analyzer Kit (Not Shown)	
606A	1600244	1	Analyzer	
606B	1060633	1	Cable, Analyzer	
606C	4460321	2	Plug, Male - 4 Position	
606C	4460226	8	Socket, Female	
607	1001137005	1	Software Cables Kit (Not Shown)	

SECTION 7 - ELECTRICAL

FIGURE 7-4. 2646ES/3246ES ELECTRICAL COMPONENTS INSTALLATION



SECTION 7 - ELECTRICAL



*NOTE: THIS CONNECTION USED ONLY WHEN FOOTSWITCH OR BATTERY CHARGER INTERLOCK OPTIONS ARE REQUIRED.

SECTION 7 - ELECTRICAL

FIGURE 7-4. 2646ES/3246ES ELECTRICAL COMPONENTS INSTALLATION

ITEM	PART NUMBER	QTY	DESCRIPTION	REV
		Ref	CONSOLE BOX COMPONENTS	
1	4922870	1	Platform Box Harness	B
2	4461016	1	Connector - 14 Position	
2	4460464	6	Pin, Male	
2	4460466	8	Plug, Sealing	
2	4460496	1	Lockwasher	
2	4460497	1	Nut, Panel	
3	4460265	1	Plug, Male - 9 Position	
3	4460267	8	Pin, Male	
4	2540042	2	Grommet 90	
5	Not Available	1	Receptacle, Female - 3 Position	
6	4461057	1	Plug, Male - 16 Position	
		Ref	PLATFORM CABLES INSTALLATION	
	0274975	Ref	Platform Cables Installation 2646ES/3246ES (ANSI, ANSI Export, Japanese and UL Specs)	J
	0275544	Ref	Platform Cables Installation 2646ES/3246ES (Australian and CE Specs)	I
101		Ref	Platform to Ground Harness Options:	
101	1001094157	1	ANSI, ANSI Export, Japanese and UL Specs:	C
101	1001094335	1	Australian and CE Specs:	B
101A	4460930	1	Plug, Male - 8 Position	
101A	4460465	4	Socket, Female	
101A	4460944	3	Socket, Female (Gold)	
101A	4460466	1	Plug, Sealing	
101A	0840061	1	Boot 8 Position Plug	
101A	2820026	AR	Insulation, Clear Tubing	
101A	2820028	AR	Heat Shrink	
101B	4460930	1	Plug, Male - 8 Position	
101B	4460465	4	Socket, Female	
101B	4460944	3	Socket, Female (Gold)	
101B	4460466	1	Plug, Sealing	
101B	0840061	1	Boot 8 Position Plug	
101B	2820026	AR	Insulation, Clear Tubing	
101B	2820028	AR	Heat Shrink	
102	1380158	AR	Retainer	
103	1320318	AR	Clamp, Hose (Not Shown)	
104	0100048	AR	Grease, Dielectric	
105	4740545	AR	Washer, Special Cable	
106		Ref	Chassis Harness Options:	
106	1001109219	1	Chassis Harness USA Built Machines (was p/n 4923450) (SN 0200152825 through 0200195917)	E
106	1001109219	1	Chassis Harness Belgium Built Machines (was p/n 4923450) (SN 1200008481 through 1200022846)	E
106	1001109125	1	Chassis Harness USA Built Machines (SN 0200195918 to Present)	B
106	1001109125	1	Chassis Harness Belgium Built Machines (SN 1200022847 to Present)	B
106		Ref	Wiring Diagram - Chassis Options:	
106	4933351	Ref	Wiring Diagram - Chassis USA Built Machines (SN 0200152825 through 0200195917)	C
106	4933351	Ref	Wiring Diagram - Chassis Belgium Built Machines (SN	C

SECTION 7 - ELECTRICAL

ITEM	PART NUMBER	QTY	DESCRIPTION	REV
			1200008481 through 1200022846)	
106	1001109123	Ref	Wiring Diagram - Chassis USA Built Machines (SN 0200195918 to Present)	A
106	1001109123	Ref	Wiring Diagram - Chassis Belgium Built Machines (SN 1200022847 to Present)	A
106	3990013	2	Diode 1 Amp/400V (Not Shown)	
106A		Ref	Switch, Limit Options:	
106A	1001109345	2	Switch, Limit USA Built Machines (was p/n 4360633) (SN 0200152825 through 0200195917)	
106A	1001109345	2	Switch, Limit Belgium Built Machines (was p/n 4360633) (SN 1200008481 through 1200022846)	
106A	1001109088	2	Switch, Limit USA Built Machines (SN 0200195918 to Present)	
106A	1001109088	2	Switch, Limit Belgium Built Machines (SN 1200022847 to Present)	
106A	4460884	2	Plug, Male 4 Position (Use with p/n 1001109088 Switch)	
106A	4460465	4	Socket, Female (Use with p/n 1001109088 Switch)	
106B	4460320	1	Plug, Male - 2 Position (Note: Connection to this plug used only when footswitch or battery interlock options are required)	
106B	4460226	2	Socket, Female	
106C	4460321	1	Plug, Male - 4 Position	
106C	4460227	4	Pin, Male	
106D	4460539	1	Plug, Male - 3 Position	
106D	4460465	3	Socket, Female	
106E	4460539	1	Plug, Male - 3 Position	
106E	4460465	2	Socket, Female	
106F	4460648	1	Connector, Anderson	
106G	4460761	1	Receptacle, Female - 4 Position	
106G	4460227	4	Pin, Male	
106H	4460814	1	Plug, Male - 40 Position	
106H	4460465	31	Socket, Female	
106H	4460944	6	Socket, Female (Gold)	
106H	0840057	1	Boot	
106J	4460870	1	Plug, Male - 12 Position	
106J	4460877	4	Pin, Male	
106K	4460894	1	Plug, Male - 6 Position	
106K	4460465	4	Socket, Female	
106K	0840059	1	Boot	
106L	4460897	3	Receptacle, Female - 2 Position	
106L	4460464	6	Pin, Male	
106M	4460897	1	Receptacle, Female - 2 Position	
106M	4460465	2	Socket, Female	
106N	4460931	1	Receptacle, Female -8 Position	
106N	4460464	4	Pin, Male	
106N	4460943	3	Pin, Male (Gold)	
106N	0840058	1	Boot	
106P	4460899	1	Connector, Female - 6 Position	
106P	4460464	6	Pin, Male	
106R	4460931	1	Receptacle, Female -8 Position	
106R	4460464	4	Pin, Male	
106T	4460930	1	Plug, Male - 8 Position	
106T	4460466	1	Seal, Plug	
107	4923350	1	Lift Cylinder Harness	D

SECTION 7 - ELECTRICAL

ITEM	PART NUMBER	QTY	DESCRIPTION	REV
107A	4460891	4	Plug, Male - 2 Position	
107A	4460465	8	Socket, Female	
107B	4460894	1	Plug, Male - 6 Position	
107B	4460465	6	Socket, Female	
107B	0840059	1	Boot	
108		Ref	Power to Pump Motor Harness Options:	
108	4923271	1	Harness USA Built Machines (SN 0200152825 through 0200164048)	C
108	4923271	1	Harness Belgium Built Machines (SN 1200008481 through 1200012624)	C
108	4923647	1	Harness USA Built Machines (SN 0200164049 through 0200168419)	B
108	4923647	1	Harness Belgium Built Machines (SN 1200012625 through 1200014905)	B
108	1001093693	1	Harness USA Built Machines (SN 0200168420 to Present)	B
108	1001093693	1	Harness Belgium Built Machines (SN 1200014906 to Present)	B
		Ref	Note: 2646ES & 3246ES with S/Ns 0200165918, 0200165941, 0200165946, 0200165995, 0200166005, 0200166033, 0200166047 & 0200166065 also use p/n 1001093693.	
108A		Ref	Connector, Anderson Options:	
108A	Not Available		Connector, Red	
108A	Not Available		Connector, Gray	
108B	0840041	2	Boot, Terminal (Red)	
109		Ref	Screw Options:	
109	0760610	AR	Screw M6 x 20mm	
109	0760614	AR	Screw M6 x 30mm	
110	Not Required	0	Not Required	
111		Ref	Battery Cable Kit Options (See Item 301- 309 for Breakdown)	
111	2902507		Battery Cable Kit USA Built Machines (SN 0200152825 through 0200172052)	
111	2902507	1	Battery Cable Kit Belgium Built Machines (SN 1200008481 through 1200014905)	
111	1001096798		Battery Cable Kit USA Built Machines (SN 0200172053 to Present)	
111	1001096798	1	Battery Cable Kit Belgium Built Machines (SN 1200014906 to Present)	
112	3290607	4	Nut M6	
113	4811700	2	Flatwasher M6	
114	1321716	2	Clamp	
115	3290605	AR	Locknut M6	
116	4031713	AR	Capscrew, Socket Head M6 x 45mm	
117	4811700	AR	Flatwasher M6	
118		Ref	Platform to Control Box Coiled Cable Harness Options:	
118	1001104468	1	Harness USA Built Machines (Repair Kit p/n 1001104468 Includes Items 101B & 121-125) (SN 0200152825 through 0200168419)	A
118	1001104468	1	Harness Belgium Built Machines (Repair Kit p/n 1001104468 Includes Items 101B & 121-125) (SN 1200008481 through 1200014905)	A
118	1001096707	1	Harness USA Built Machines (Includes Items 121 & 122) (SN 0200168420 to Present)	A
118	1001096707	1	Harness Belgium Built Machines (Includes Items 121 & 122) (SN 1200014906 to Present)	A
121	4460931	1	Receptacle, Female - 8 Position	

SECTION 7 - ELECTRICAL

ITEM	PART NUMBER	QTY	DESCRIPTION	REV
121	4460464	4	Pin, Male	
121	4460943	3	Pin, Male (Gold)	
121	4460466	1	Plug, Sealing	
121	0840058	1	Boot, 8 Position Receptacle	
121	2820026	AR	Insulation, Clear Tubing	
121	2820028	AR	Heat Shrink	
122	4460754	1	Connector -14 Position	
122	4460465	4	Socket, Female	
122	4460944	3	Socket, Female	
122	4460466	4	Plug, Sealing	
122	3730119	1	Resistor	
122	4460493	1	Cap, Dust	
122	2820026	AR	Insulation, Clear Tubing	
123	1001094175	AR	Clamp, Post	
123	4010617	AR	Screw M6 x 45mm	
123	3290606	AR	Nut, Acorn M6	
124	1001094180	4	Clamp, Rail	
124	0760606	4	Screw M6 x 12mm	
124	3290606	4	Nut, Acorn M6	
125	1001104465	AR	Hook, Corner	
125	4010617	AR	Screw M6 x 45mm	
125	3290606	AR	Nut, Acorn M6	
		Ref	GROUND CONTROL BOX COMPONENTS	
201	4922865	1	Control Box Harness	E
201A	4460265	1	Plug, Male - 9 Position	
201A	4460268	9	Socket, Female	
201B	4460761	2	Receptacle, Female - 4 Position	
201B	4460267	8	Pin, Male	
201C	Not Available	1	Grommet (Molded in Part of Harness)	
201D	4460418	1	Receptacle, Female - 3 Position	
201D	4460419	3	Terminal	
		Ref	BATTERY CABLE KITS	
	2902507	Ref	USA Built Machines (SN 0200152825 through 0200172052)	E
	2902507	Ref	Belgium Built Machines (SN 1200008481 through 1200014905)	E
	1001096798	Ref	USA Built Machines (SN 0200172053 to Present)	C
	1001096798	Ref	Belgium Built Machines (SN 1200014906 to Present)	C
301	0840060	8	Boot, Terminal (Gray) (Covers only the Battery Terminal Base)	
302	1060998	2	Cable, Battery (Battery Positive to Battery Negative)	E
302A	Not Available	2	Boot, Terminal (Black) (1 Per Cable Assembly)	
302B	Not Available	2	Boot, Terminal (Red) (1 Per Cable Assembly)	
303	1061001	1	Cable, Battery (Contactor to Drive Module B+)	E
303A	Not Available	1	Boot, Terminal (Black)	
303B	Not Available	1	Boot, Terminal (Red)	
304	4923401	1	Cable, Battery (LH Battery to Disconnect)	C
304A	4460618	1	Connector, Anderson	
304A	2560205	1	Handle, Connector	
304B	Not Available	1	Boot, Terminal (Red)	
305	4923402	1	Cable, Battery (RH Batteries to Disconnect)	B
305A	4460618	1	Connector, Anderson	
305B	Not Available	1	Boot, Terminal (Black)	
306	4923406	1	Cable, Battery (RH Battery to Contactor)	B

SECTION 7 - ELECTRICAL

ITEM	PART NUMBER	QTY	DESCRIPTION	REV
306A	Not Available	1	Boot, Terminal (Black)	
306B	Not Available	1	Boot, Terminal (Red)	
307	4923409	1	Cable, Battery (LH Battery to Connector B-)	B
307A	Not Available	1	Boot, Terminal (Black)	
308		Ref	Cable, Battery (Power to Pump Motor)	
308	4923410	2	Cable USA Built Machines (SN 0200152825 through 0200172052)	D
308	4923410	2	Cable Belgium Built Machines (SN 1200008481 through 1200014905)	D
308	1001096796	2	Cable USA Built Machines (SN 0200172053 to Present)	B
308	1001096796	2	Cable Belgium Built Machines (SN 1200014906 to Present)	B
308A		Ref	Connector, Anderson Options:	
308A	Not Available	2	Connector, Red	
308A	Not Available	2	Connector, Gray	
308B	0840041	1	Boot, Terminal (Red)	
309	Not Required	0	Cable, Battery (LH Battery to Contactor)	
309A	Not Required	0	Boot, Terminal (Red)	
		Ref	STANDARD HARNESSES	
401		Ref	Drive Motor/Brake Harness Options:	
401	1001099676	2	Harness USA Built Machines (was p/n 7024770 & 7024775) (SN 0200152825 through 0200170584)	
401	1001099676	2	Harness Belgium Built Machines (was p/n 7024770 & 7024775) (SN 1200008481 through 1200015158)	
401	1001134012	2	Harness USA Built Machines (was p/n 1001091843) (SN 0200170585 to Present)	E
401	1001134012	2	Harness Belgium Built Machines (was p/n 1001091843) (SN 1200015159 to Present)	E
401A	4460891	2	Plug, Male - 2 Position (1 Per Harness)	
401A	4460465	4	Socket, Female (2 Per Harness)	
401B	70001442	2	Plug, Male - 2 Position (1 Per Harness) (To Brake)	
401B	Not Available	4	Socket, Female (2 Per Harness) (To Brake)	
401C	70001443	2	Plug, Male - 2 Position (1 Per Harness) (To Motor)	
401C	70001444	4	Socket, Female (2 Per Harness) (To Motor)	
401D		Ref	Connector Options:	
401D	Not Available	1	Connector USA Built Machines Use Butt Connector (Purchase Locally) (SN 0200152825 through 0200156116)	
		Ref	Note: P/N 7024770 Harness is equipped with a connector at this location. When replacing, clip connector and butt splice to Drive Harness from opposite side.	
401D	4461261	1	Connector USA Built Machines Use Plug, Male - 1 Position (SN 0200156117 to Present)	
401D	4461261	1	Connector All Belgium Built Machines Use Plug, Male - 1 Position	
401D	4460509	1	Connector USA Built Machines Use Terminal (SN 0200156117 to Present)	
401D	4460509	1	All Belgium Built Machines Use Terminal	
402	Not Available	2	Harness, Brake (Internal Connections - Purchase Complete)	
402	Not Available	2	Receptacle, Female - 2 Position (1 Per Harness)	
402	Not Available	4	Pin, Male (2 Per Harness)	
403	Not Available	2	Harness, Motor (Internal Connections - Purchase Complete Motor)	
403	Not Available	2	Receptacle, Female - 2 Position (1 Per Harness)	
403	Not Available	4	Pin, Male (2 Per Harness)	
404	4923602	2	Harness, Field Wire Connection	B
404A	4461260	2	Receptacle, Female - 1 Position	

SECTION 7 - ELECTRICAL

ITEM	PART NUMBER	QTY	DESCRIPTION	REV
404A	4460508	2	Terminal	
405	3740150	1	Contactory Relay Harness (Includes Relay)	
405A	4460891	1	Plug, Male - 2 Position	
405A	4460465	2	Socket, Female	
406		Ref	Battery Charger Components	
406A	Not Available		DC Harness/Cord Set	
406B	4460648	1	Plug, Anderson	
406C	4460899	1	Connector, Female - 6 Position	
406C	4460464	6	Pin, Male	
406D	Not Available	1	Harness with Connector (Note: Connection to this plug used only when battery interlock options are required)	
406E	4460424	1	Connector, Female - 2 Position (Note: Connection to this plug used only when battery interlock options are required)	
406E	4460227	2	Pin, Male	
406F	Not Available	1	AC Harness/Cord Set	
406G	Not Available	1	Connector, Female	
407		Ref	Cable, AC Power to Charger Options:	
407	1060688	1	Cable With Factory Supplied Plug (Black)	
407	1001103257	1	Cable With Factory Supplied Plug (Orange)	
407	1060689	1	Cable With Locally Supplied Plug (Black)	
407	1001103258	1	Cable With Locally Supplied Plug (Orange)	
408	1001092354	1	Rotary Angle Sensor and Harness (Separate Harness Not Available) (was p/n 4360526)	
408A	4460536	1	Receptacle, Female - 3 Position	
408A	4460464	3	Pin, Male	
409	4360539	1	Toggle Switch and Harness (No Separate Harness Available)	
409A	Not Available	1	Plug, Male - 3 Position	
410	Not Available	1	Joystick Harness	
410A	4460266	1	Receptacle, Female - 9 Position	
410A	4460226	8	Socket, Female	
411		Ref	Plug Options:	
411	Not Available		ANSI SPEC PLUG (USE P/N 1001103257)	
411	Not Available		Australian and Japanese Specs (Purchase Locally)	
411		Ref	CE Spec Options:	
411	0275666	Ref	IEC Yellow Receptacle Installation	A
411	4461196	Ref	Receptacle, IEC Yellow	
411	0276667	Ref	IEC Blue Receptacle Installation	A
411	4661199	Ref	Receptacle, IEC Blue	
411	0275665	Ref	AFSINT 107 Keyed Ground Receptacle Installation	A
411	4661249	Ref	Receptacle, AFSINT 107 Keyed Ground	
411	0275663	Ref	CEE 7 Post Ground Receptacle Installation	A
411	4661202	Ref	Receptacle, CEE 7 Post Ground	
411	0275664	Ref	CEE 7 Side Ground Receptacle Installation	A
411	4661205	Ref	Receptacle, CEE 7 Side Ground	
		Ref	OPTIONAL HARNESSES	
501	0140043	1	Alarm and Harness (Separate Harness Not Available)	
501A	4460536	1	Receptacle, Female - 3 Position	
501A	4460464	3	Pin, Male	
502	2920161	1	Beacon Light and Harness (Separate Harness Not Available)	
502A	4460891	1	Plug, Male - 2 Position (1 Per Harness)	
502A	4460465	2	Socket, Female (2 Per Harness)	
503		Ref	Platform Electrical Outlet Components	

SECTION 7 - ELECTRICAL

ITEM	PART NUMBER	QTY	DESCRIPTION	REV
503		Ref	ANSI, ANSI Export, CSA, Japanese and UL Specs Options:	
503	0272839	Ref	110V with Receptacle and Plug	H
503	0272843	Ref	220V without Receptacle and Plug (Locally Supplied Components)	F
503		Ref	Australian Specs Options:	
503	0272843	Ref	220V without Receptacle and Plug (Locally Supplied Components)	F
503		Ref	CE Specs Options:	
503	0275487	Ref	110V with IEC Yellow Receptacle and Plug and Circuit Breaker (was p/n 0275520)	C
503	0272843	Ref	220V without Receptacle and Plug (Locally Supplied Components) (All Models)	F
503	0275488	Ref	220V with IEC Blue Receptacle and Plug and Circuit Breaker (was p/n 0275521)	C
503	0275486	Ref	220V with AFSINT 107 Keyed Ground Receptacle and Plug and Circuit Breaker (was p/n 0275519)	C
503	0275472	Ref	220V with CEE 7 Post Ground Receptacle and Plug and Circuit Breaker (2x4 Box) (was p/n 0275517)	C
503	0275489	Ref	220V with CEE 7 Post Ground Receptacle and Plug and Circuit Breaker (70x70 Box) (was p/n 0275522)	D
503	0275485	Ref	220V with CEE 7 Side Ground Receptacle and Plug and Circuit Breaker (2x4 Single Box) (was p/n 0275518)	C
503	1001096628	Ref	220V with CEE 7 Side Ground Receptacle and Plug and Circuit Breaker (2x4 Dual Boxes)	A
		Ref	Note: Qty shown is for single Receptacle Box. Double Qty listed for Dual Receptacle Boxes.	
503	0275490	Ref	220V with CEE 7 Side Ground Receptacle and Plug and Circuit Breaker (70x70 Box) (was p/n 0275523)	D
503		Ref	Decal - AC Power (Not Shown)	
503	1703464	1	110V	
503	3252507	1	220V	
503A		Ref	Box, Switch Options:	
503A	0861731	1	Box, Switch 0272839, 0275472, 0275485, 0275486 & 1001096628 Installations	
503A	Not Available	1	Box, Switch 0272843 Installation (Purchase Locally)	
503A	4460315	1	Box, Switch 0272839 Installation (Terminal, Spade) (Not Shown)	
503A	0861781	1	Box, Switch 0275487 & 0275488 Installations	
503A	See Note	1	Box, Switch 0275774/0275775 Installations	
		Ref	(Note: Was p/n 0861782 which is no longer available. Use p/n 1001100344 CEE 7 Side Ground Service Kit or p/n 1001100343 CEE 7 Post Ground Service Kit. Kits includes Box p/n 1001141967 & items 503B, 503D & 503E.)	
503A	1001141967	1	Box, Switch 1001100343, 1001100344, 1001141970 & 1001141971 Service Kits	
503B		Ref	Cover Options:	
503B	1671207	1	Cover 0272839 Installation	
503B	Not Available	1	Cover 0272843 Installation (Purchase Locally)	
503B	4461244	1	Cover 0275472 Installation (Includes Receptacle)	
503B	4461245	1	Cover 0275485 & 1001096628 Installations (Includes Receptacle)	
503B	4461246	1	Cover 0275486 Installation (Includes Receptacle)	
503B	4461198	1	Cover 0275487 Installation (Includes Receptacle)	
503B	4461201	1	Cover 0275488 Installation (Includes Receptacle)	
503B	1001100343	1	Cover 0275489 Installation (Includes Receptacle) (was p/n	

SECTION 7 - ELECTRICAL

ITEM	PART NUMBER	QTY	DESCRIPTION	REV
503B	1001100344	1	4461204 & 1001141971) Cover 0275490 Installation (Includes Receptacle) (was p/n 4461207 & 1001141970)	
503B	1001141968	1	Cover 1001100343 & 1001141971 Service Kit	
503B	1001141969	1	Cover 1001100344 & 1001141970 Service Kit	
503C		Ref	Connector, Strain Relief Options:	
503C	4460662	1	Connector 0272839, 0275472, 0275485, 0275486 & 1001096628 Installations	
503C	Not Available	1	Connector 0272843 Installation (Purchase Locally)	
503C	4461257	1	Connector 0275487, 0275488, 0275489 & 0275490 Installations (90)	
503C	4461258	1	Connector 0275487, 0275488, 0275489 & 0275490 Installations (Adapter)	
503C	4460633	1	Connector 0275520 & 0275521 Installations	
503C	4460428	1	Connector 0275522 & 0275523 Installations	
503D		Ref	Receptacle, Electrical Options:	
503D	4460346	1	Receptacle 0272839 Installation	
503D	Not Available	1	Receptacle 0272843 Installation (Purchase Locally)	
503D	4461244	1	Receptacle 0275472 Installation (Includes Cover)	
503D	4461245	1	Receptacle 0275485 & 1001096628 Installations (Includes Receptacle)	
503D	4461246	1	Receptacle 0275486 Installation (Includes Cover)	
503D	4461198	1	Receptacle 0275487 Installation (includes Cover)	
503D	4461201	1	Receptacle 0275488 Installation (Includes Cover)	
503D	1001100343	1	Receptacle 0275489 Installation (Includes Receptacle) (was p/n 4461204 & 1001141971)	
503D	1001100344	1	Receptacle 0275490 Installation (Includes Receptacle) (was p/n 4461207 & 1001141970)	
503D	1001141968	1	Receptacle 1001141971 Service Kit	
503D	1001141969	1	Receptacle 1001141970 Service Kit	
503E		Ref	Plug End Options:	
503E	4460138	1	Plug End 0272839 Installation (Male)	
503E	Not Available	1	Plug End 0272843 Installation (Purchase Locally)	
503E	4461202	1	Plug End 0275472/0275489 Installations & 1001100343/ 1001141971 Service Kits (Male)	
503E	4461203	1	Plug End 0275472/0275489 Installations & 1001100343/ 1001141971 (Female)	
503E	4461205	1	Plug End 0275485 & 1001096628 Installations & 1001100344/ 1001141970 (Male)	
503E	4461206	1	Plug End 0275485 & 1001096628 Installations & 1001100344/ 1001141970 (Female)	
503E	4461249	1	Plug End 0275486 Installation (Male)	
503E	4461250	1	Plug End 0275486 Installation (Female)	
503E	4461196	1	Plug End 0275487 Installation (Male)	
503E	4461197	1	Plug End 0275487 Installation (Female)	
503E	4461199	1	Plug End 0275488 Installation (Male)	
503E	4461200	1	Plug End 0275488 Installation (Female)	
503E	4461202	1	Plug End 0275489 Installation (Male)	
503E	4461203	1	Plug End 0275489 Installation (Female)	
503E	4461205	1	Plug End 0275490 Installation (Male)	
503E	4461206	1	Plug End 0275490 Installation (Female)	
503F		Ref	Hardware Options:	
503F	4010405	AR	Screw M4 x 10mm	
503F	4010408	AR	Screw M4 x 16mm	

SECTION 7 - ELECTRICAL

ITEM	PART NUMBER	QTY	DESCRIPTION	REV
503F	4010612	AR	Screw M6 x 16mm	
503F	4191706	AR	Screw M6 x 12mm	
503F	4191708	AR	Screw M6 x 20mm	
503F	0760619	AR	Screw M6 x 55mm	
503F	3290405	AR	Locknut M4	
503F	3290605	AR	Locknut M6	
503F	3290607	AR	Locknut M6	
503F	4811400	AR	Flatwasher M4	
503F	1001091102	AR	Flatwasher M4 Oversize	
503F	4811700	AR	Flatwasher M6	
503G		Ref	Bracket, Receptacle Box Mounting Options:	
503G	Not Required	0	Bracket, Receptacle Box Mounting 0272839, 0272843, 0275472, 0275485, 0275486 & 1001096628 Installations	
503G	0903569	1	Bracket, Receptacle Box Mounting 0275487, 0275488, 0275489 & 0275490 Installations	
503G	0903484	1	Bracket, Receptacle Box Mounting 1001096628 Installation (2nd Receptacle Box Only)	
503H	0903566	1	Bracket, Circuit Breaker Mounting (Required Only on CE Spec Installations Except 0272843 Installation)	
503H	1001096627	1	Bracket, Circuit Breaker Mounting (Required Only on CE Spec 1001096628 Installation)	
503J	2902541	AR	Circuit Breaker Box Assembly (Required Only on CE Spec Installations Except 0272843 Installation):	E
		Ref	Note: Original box assembly used one single large breaker which is no longer available. For USA Built Machines SN 0200152825 to SN 0200163756 and Belgium Built Machines SN 1200008481 to SN 1200011329 Purchase p/n 2902541 as replacement. For USA Built Machines SN 0200163756 to N0200191894 and Belgium Built Machines SN 1200011329 to SN1200021491, the one large single may be replaced with 2 breakers. Purchase qty 1 each of p/ns 1001109475 & 1001109482.	
503J		Ref	Circuit Breaker Options:	
503J	2902541 See Note	1	Circuit Breaker - USA Built Machines (was p/n 240015) (SN 0200152825 through 0200163755)	
503J	2902541 See Note	1	Circuit Breaker - Belgium Built Machines (was p/n 240015) (SN 1200008481 through 1200011328)	
503J	See Note	1	Circuit Breaker - USA Built Machines (was p/n 2400093) (SN 0200163756 through 0200191893)	
503J	See Note	1	Circuit Breaker - Belgium Built Machines (was p/n 2400093) (SN 1200011329 through 1200021490)	
503J	1001109475	1	Circuit Breaker - 16A USA Built Machines (SN 0200191894 to Present)	
503J	1001109475	1	Circuit Breaker - 16A Belgium Built Machines (SN 1200021491 to Present)	
503J	1001109482	1	Circuit Breaker - 30mAUSA Built Machines (SN 0200191894 to Present)	
503J	1001109482	1	Circuit Breaker - 30mA Belgium Built Machines (SN 1200021491 to Present)	
503J		Ref	Terminal Block Options:	
503J	250135	1	Terminal Block USA Built Machines (SN 0200152825 through 0200163755)	
503J	250135	1	Terminal Block Belgium Built Machines (SN 1200008481 through 1200011328)	
503J	4460957	1	Terminal Block USA Built Machines (SN 0200163756 to Present)	
503J	4460957	1	Terminal Block Belgium Built Machines (SN 1200011329	

SECTION 7 - ELECTRICAL

ITEM	PART NUMBER	QTY	DESCRIPTION	REV
			to Present)	
503J		Ref	Barrier, Terminal Block Options:	
503J	Not Required	0	Barrier, Terminal Block USA Built Machines (SN 0200152825 through 0200163755)	
503J	Not Required	0	Barrier, Terminal Block Belgium Built Machines (SN 1200008481 through 1200011328)	
503J	4460956	1	Barrier, Terminal Block USA Built Machines (SN 0200163756 to Present)	
503J	4460956	1	Barrier, Terminal Block Belgium Built Machines (SN 1200011329 to Present)	
503K		Ref	Connector, Strain Relief (Required Only on CE Spec Installations Except 0272843 Installation)	
503K	4460633	1	Connector, Strain Relief USA Built Machines (SN 0200152825 through 0200173858)	
503K	4460633	1	Connector, Strain Relief Belgium Built Machines (SN 1200008481 through 1200015446)	
503K	1001097150	1	Connector, Strain Relief USA Built Machines (SN 0200173859 to Present)	
503K	1001097150	1	Connector, Strain Relief Belgium Built Machines (SN 1200015447 to Present)	
503L	1060908	55 in/1.4m	Cable, Extension (Required Only on CE Spec Installations Except 0272843 Installation)	
503M	1060908	55 in/1.4m	Cable, Electrical (Required Only on CE Spec 1001096628 Installation) (Not Shown - Connects 2 Receptacle Boxes)	
	2902431	1	Receptacle Box Kit (110V GFI) (Includes Item 503A-503D) (0272839 Installation)	C
	0275216	1	Receptacle, Box and Plug Kit (110V IEC Yellow) (Includes Items 503A, 503B, 503C & Male 503E Plug End) (0275487 Installation)	1
	0275217	1	Receptacle, Box and Plug Kit (220V IEC Blue) (Includes Items 503A, 503B, 503D & Male 503E Plug End) (0275488 Installation)	1
	0275452	1	Receptacle Box Kit (220V CEE 7 Post Ground with 2x4 Box) (Includes Items 503A, 503B, 503D & Male 503E Plug End) (0275472 Installation)	1
	1001100343	1	Receptacle, Box and Plug Kit (220V CEE 7 Post Ground with 70x70 Box) (Includes Items 503A, 503B, 503D & 503E) (0275489 Installation) (was p/n 0275218 & 1001141971)	B-A
	0275453	1	Receptacle Box Kit (220V CEE 7 Side Ground with 2x4 Box) (Includes Item 503A, 503B, 503D & Male 503E Plug End) (0275485 & 1001096628 Installation)	1
	1001100344	1	Receptacle, Box and Plug Kit (220V CEE 7 Side Ground with 70x70 Box) (Includes Items 503A, 503B, 503D & Male 503E Plug End) (0275490 Installation) (was p/n 0275219 & 1001141970)	B-A
	0275454	1	Receptacle, Box and Plug Kit (220V AFSINT 107 Keyed Ground) (Includes Items 503A, 503B, 503D & Male 503E Plug End) (0275486 Installation)	1
504		Ref	Brake Disconnect /Release Switch Components	
504A	4922944	1	Brake Disconnect Harness and Switch	E
504A	1060680	15 ft/2.7m	Cable, Electrical 18/2	
504A	4240003	1	Strap, Cinch (Not Shown)	
504B	4360613	1	Switch, Limit	
504C	4360387	1	Brake Release Switch	
505		Ref	Battery Charger/Inverter Components (ANSI and CSA Option Only):	
505A	Not Available	1	AC Output Harness (Internal Part of Inverter)	

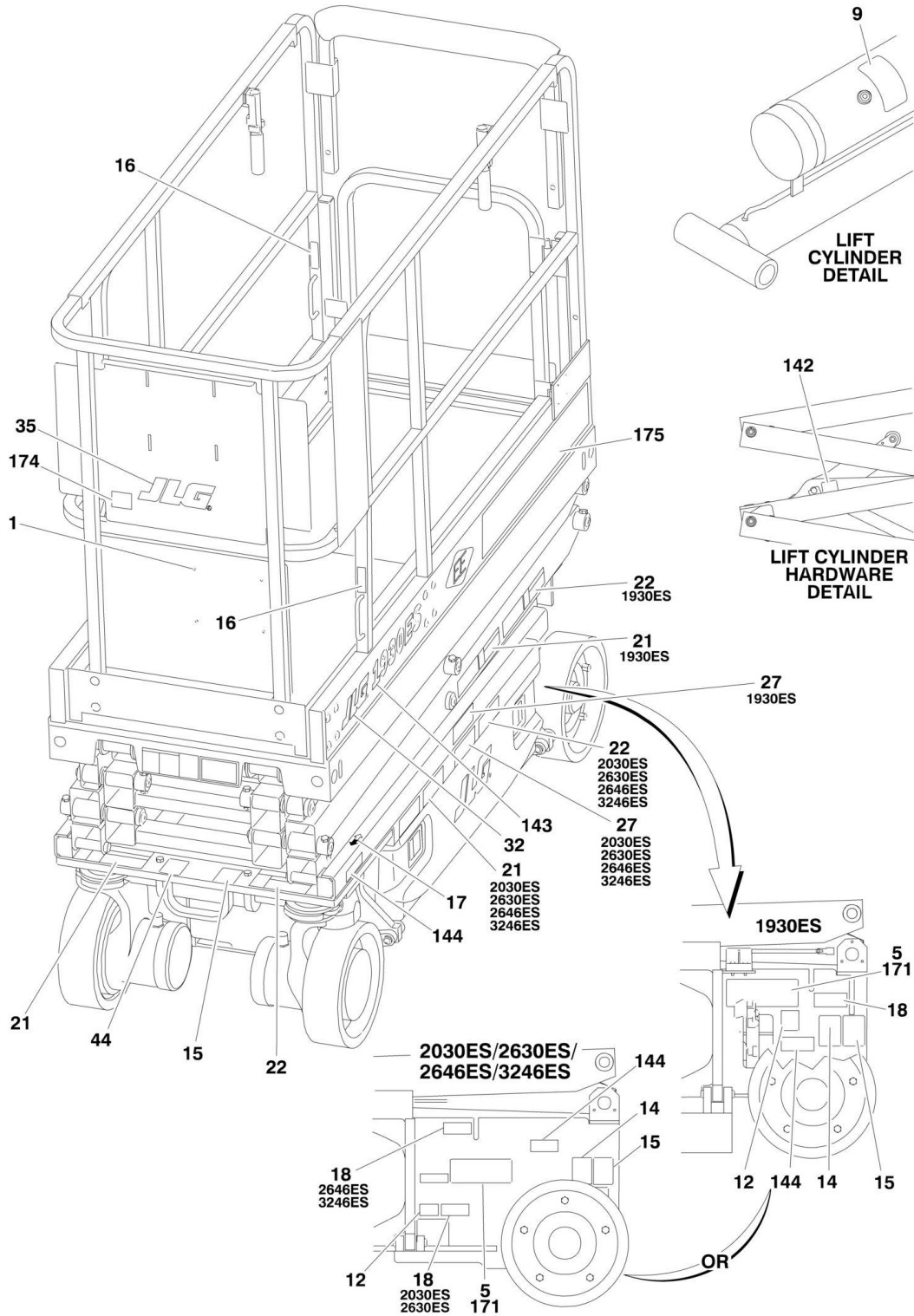
SECTION 7 - ELECTRICAL

ITEM	PART NUMBER	QTY	DESCRIPTION	REV
505B	Not Available	1	Receptacle, Female - 4 Position (Conxall T9014)	
505C	Not Available	1	AC Input Harness (Internal Part of Inverter)	
505D	Not Available	1	Receptacle, Female - 4 Position (Conxall T9016)	
505E	Not Available	1	Remote Control Harness (Internal Part of Inverter)	
505F	Not Available	1	Plug, Male - 8 Position (Conxall 7281-8PG-300)	
505G	1001091479	1	AC Input Harness (was p/n 4923389)	A-D
505H	4460138	1	Plug, Male	
505J	Not Available	1	Plug, Male - 4 Position (Conxall T9017)	
505K	4923390	1	AC Output Harness	D
505L	4460779	1	Receptacle, Female	
505M	Not Available	1	Plug, Male - 4 Position (Conxall T9015)	
505N	4923391	1	Data Interface Harness	D
505P	Not Available	1	Plug, Male - 8 Position (Conxall 6280-8SG-318)	
505R	4460899	1	Receptacle, Female - 6 Position	
505R	4460464	4	Pin, Male	
505R	4460466	2	Plug, Seal	
505R	3990010	1	Diode 6A/600V	
505S	4360336	1	Switch, Toggle	
505T	4460424	2	Receptacle, Female - 2 Position	
505T	4460267	2	Pin, Male	
505U	4923392	1	Cable, Battery + to Inverter +	A
505V	4923393	1	Cable, Battery - to Inverter -	A
506	1001093556	1	MDI Harness (USA Built Machines Only) (SN 0200168420 to Present)	B
506	1001093556	1	MDI Harness (Belgium Built Machines Only) (SN 1200014906 to Present)	B
506A	4460321	1	Plug, Male	
506A	4460226	4	Socket, Female	
506B	4460868	1	Plug, Male - 6 Position	
506B	4460877	4	Terminal	
506B	1001094105	1	Boot	
		Ref	Tools for Service	
601	7002821	1	Crimper, Wire (Not Shown)	
602	7002823	1	Extractor, Pin - Universal (Not Shown)	
603	4460467	AR	Extractor, Pin #16 Gauge (Not Shown)	
604	4460510	AR	Extractor, Pin #12 Gauge (Not Shown)	
605	7002828	1	Stripper, Wire (Not Shown)	
606	2901443	1	Analyzer Kit (Not Shown)	
606A	1600244	1	Analyzer	
606B	1060633	1	Cable, Analyzer	
606C	4460321	2	Plug, Male - 4 Position	
606C	4460226	8	Socket, Female	
607	1001137005	1	Software Cables Kit (Not Shown)	

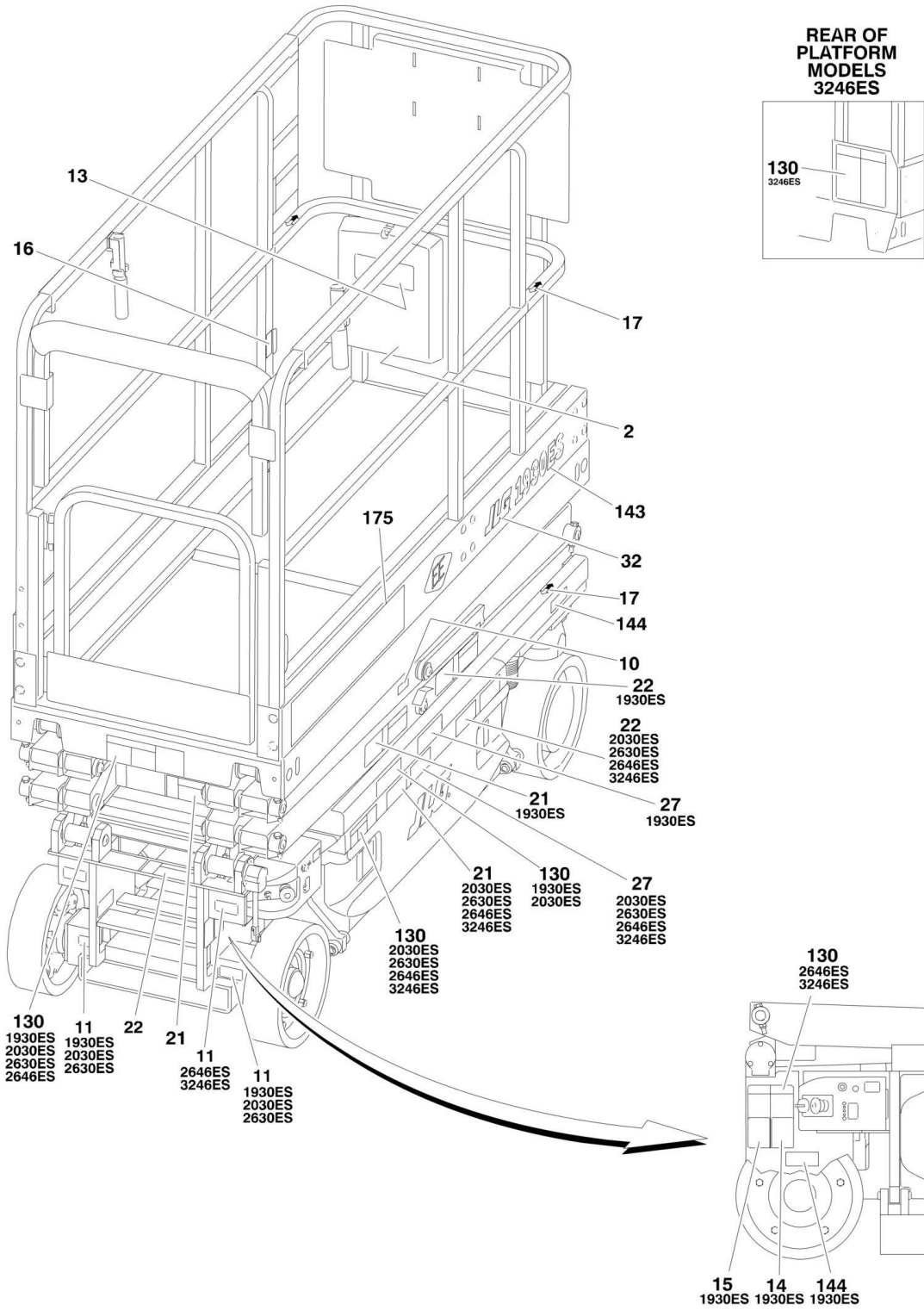
SECTION 8 - DECALS

SECTION 8 - DECALS

FIGURE 8-1. DECAL INSTALLATION (ANSI SPEC)



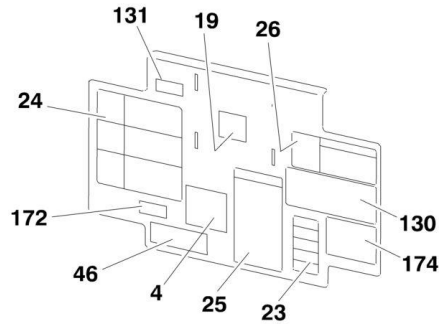
SECTION 8 - DECALS



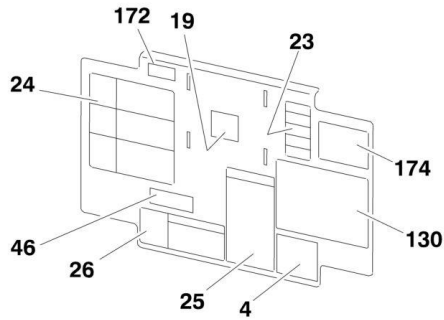
SECTION 8 - DECALS

PLATFORM DECAL PANEL DETAILS

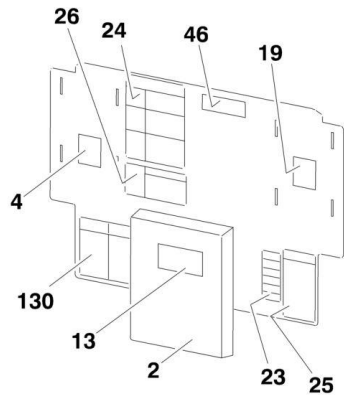
MODEL 1930ES



MODELS 2030ES & 2630ES



MODELS 2646ES & 3246ES



SECTION 8 - DECALS

FIGURE 8-1. DECAL INSTALLATION (ANSI SPEC)

ITEM	PART NUMBER	QTY	DESCRIPTION	REV
		Ref	DECALS INSTALLATION	
	0275220	Ref	Decals Installation 1930ES/2030ES/2630ES/2646ES/3246ES	5
	0272870	Ref	JLG Decals	2
1	2080040	4	Fastener	
2	0860520	1	Box, Manual Storage	
4	1700584	1	Decal - Patent	
5	2080057	4	Fastener	
7	Not Available	1	Decal - Bar Code (Not Shown - Located on Back of Platform Console Box) (USA Built Machines Only) (SN 0200152825 through 0200195328)	
7	Not Available	1	Decal - Bar Code (Not Shown - Located on Back of Platform Console Box) (Belgium Built Machines Only) (SN 1200008481 through 1200022484)	
9	1704412	1	Decal - Hydraulic Oil	
10	1705693	1	Decal - Safety Prop	
11	1704016	2	Decal - Forklift	
12	1702155	1	Decal - Battery Disconnect	
13	1701509	1	Decal - Manual Reference	
14	1703811	4	Decal - Lifting Lugs	
15	1703814	3	Decal - Tie Down	
16	1704277	3	Decal - Attach Lanyard Here	
17	1703819	4	Decal - Directional Arrow	
18	1703822	1	Decal - Manual Descent	
19	1705692	1	Decal - Control Box Location	
21	1705694	4	Decal - Crushing Hazard	
22	1705695	4	Decal - Danger Electrocution	
23	1705686	1	Decal - Legend	
24	1705680	1	Decal - Danger/Warning	
25	1705679	1	Decal - Inspection	
26	1705681	1	Decal - Electrocution	
27	1703813	2	Decal - Warning Battery Vent	
32	1705781	2	Decal - JLG	
35	1702773	1	Decal - JLG	
39		Ref	Decal - AC Power Options:	
39	1703464	1	Decal 120-60Hz	
39	3252507	1	Decal 220V-50/60Hz	
44	1701499	1	Decal - No Lift	
46	1001094359	1	Decal - Troubleshooting (USA Built Machines Only) (SN 0200168420 through 0200198014)	
46	1001094359	1	Decal - Troubleshooting (Belgium Built Machines Only) (SN 1200014906 to Present)	
	2902267	1	Decal Kit 1 (Includes Items 9-19 & 44)	8
	2902522	1	Decal Kit 2 (Includes Items 21-27 & 39)	2
	0010588	Ref	DECAL OPTIONS	83
130		Ref	Decal - Capacity Options:	
130		Ref	Decal - Capacity 1930ES:	
130	1705638	2	Decal 500lbs/227kg (Platform Box and Platform Entry Locations)	
130	1705699	1	Decal 500lbs/227kg (Ground Control Box Location)	
130	1705639	3	Decal - Capacity 2030ES: 800lbs/363kg (All Locations)	
130		Ref	Decal - Capacity 2630ES:	

SECTION 8 - DECALS

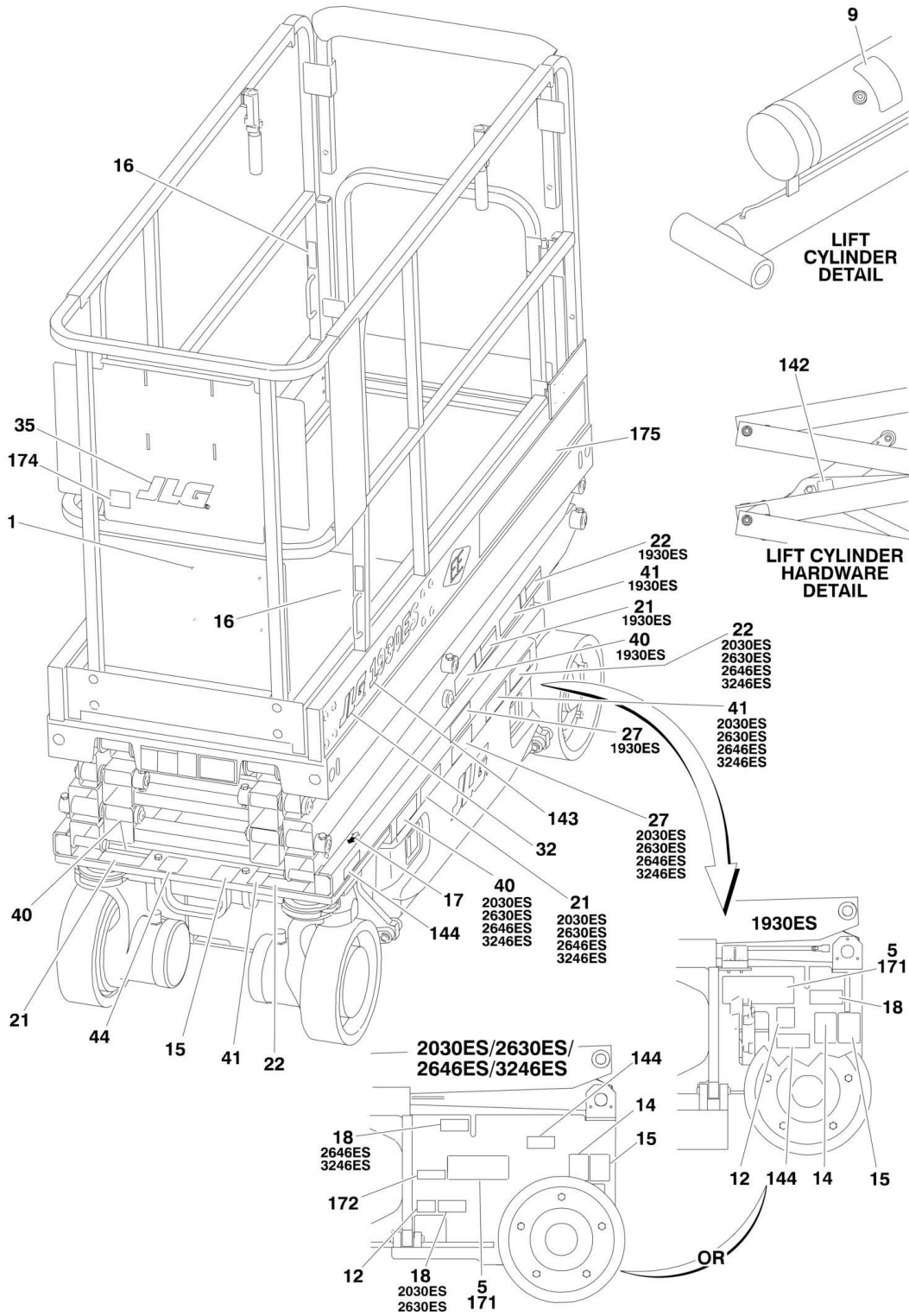
ITEM	PART NUMBER	QTY	DESCRIPTION	REV
130	1705941	1	Platform Console Box Decal - 500lb/227kg & 800lb/360kg	
130	1705880	1	Platform Entry Decal - 500lb/227kg & 800lb/360kg	
130	1705941	1	Ground Control Box - 500lb/227kg & 800lb/360kg	
130	1705640	3	Decal - Capacity 2646ES: 1000lbs/454kg	
130	1705641	3	Decal - Capacity 3246ES: 700lbs/317kg	
131		Ref	Decal - No Pipe Racks/Panel Carriers Options:	
131	Not Required	0	Decal - 1930ES USA Built Machines (SN 0200152825 through 0200166714)	
131	Not Required	0	Decal - 1930ES Belgium Built Machines (SN 1200008481 through 1200012994)	
131	1001092071	1	Decal - 1930ES USA Built Machines (SN 0200166715 through 0200198014)	
131	1001092071	1	Decal - 1930ES Belgium Built Machines (SN 1200012995 to Present)	
131	Not Required	0	Decal - 2030ES/2630ES/2646ES/3246ES	
142	1001116915	1	Decal - Hardware Retention (was p/n 1001116928)	
143		Ref	Decal - Model Designation Options:	
143	1705642	2	Decal - 1930ES USA Built Machines (SN 0200152825 through 0200194463)	
143	1705642	2	Decal - 1930ES Belgium Built Machines (SN 1200008481 through 1200022096)	
143	1001099919	2	Decal - 1930ES USA Built Machines (SN 0200194464 through 0200198014)	
143	1001099919	2	Decal - 1930ES Belgium Built Machines (SN 1200022097 to Present)	
143	1705643	2	Decal - 2030ES USA Built Machines (SN 0200152825 through 0200194675)	
143	1705643	2	Decal - 2030ES Belgium Built Machines (SN 1200008481 through 1200022096)	
143	1001099920	2	Decal - 2030ES USA Built Machines (SN 0200194676 through 0200198014)	
143	1001099920	2	Decal - 2030ES Belgium Built Machines (SN 1200022097 to Present)	
143	1705644	2	Decal - 2630ES USA Built Machines (SN 0200152825 through 0200194675)	
143	1705644	2	Decal - 2630ES Belgium Built Machines (SN 1200008481 through 1200022096)	
143	1001099921	2	Decal - 2630ES USA Built Machines (SN 0200194676 through 0200198014)	
143	1001099921	2	Decal - 2630ES Belgium Built Machines (SN 1200022097 to Present)	
143	1705645	2	Decal - 2646ES USA Built Machines (SN 0200152825 through 0200194675)	
143	1705645	2	Decal - 2646ES Belgium Built Machines (SN 1200008481 through 1200022096)	
143	1001099922	2	Decal - 2646ES USA Built Machines (SN 0200194676 through 0200198014)	
143	1001099922	2	Decal - 2646ES Belgium Built Machines (SN 1200022097 to Present)	
143	1705646	2	Decal - 3246ES USA Built Machines (SN 0200152825 through 0200194675)	
143	1705646	2	Decal - 3246ES Belgium Built Machines (SN 1200008481 through 1200022096)	
143	1001099923	2	Decal - 3246ES USA Built Machines (SN 0200194676 through 0200198014)	
143	1001099923	2	Decal - 3246ES Belgium Built Machines (SN 1200022097 to Present)	

SECTION 8 - DECALS

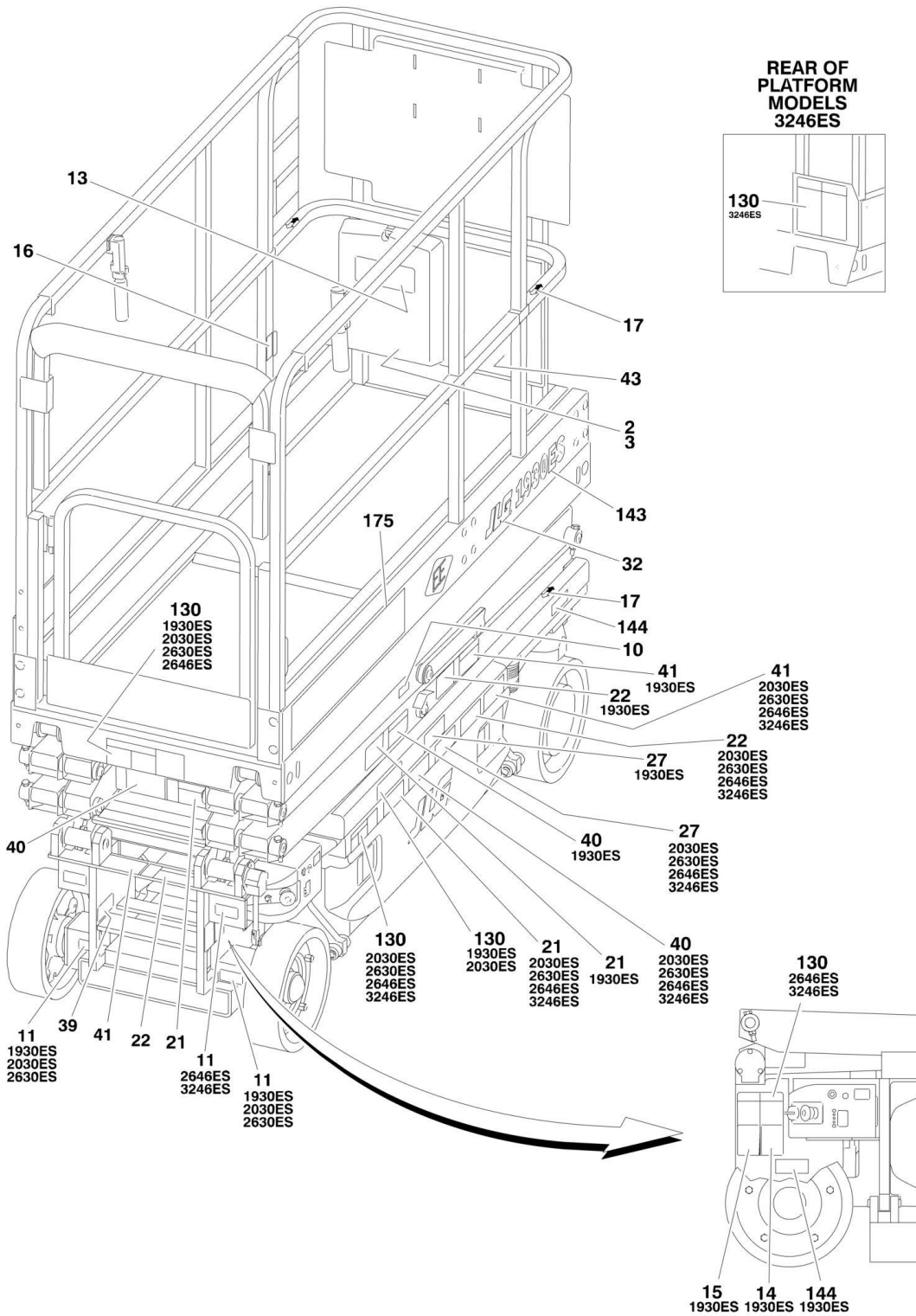
ITEM	PART NUMBER	QTY	DESCRIPTION	REV
144		Ref	Decal - Max Tire Load Options:	
144	1705647	4	Decal - 1930ES	
144	1706310	4	Decal - 2030ES/2630ES	
144	1706311	4	Decal - 2646ES/3246ES	
171	Not Available		Nameplate - Serial Number	
174	3251813	1	Decal - Made in USA	
175		Ref	Decal - Platform Color Options:	
175	1705850	2	Decal - 1930ES USA Built Machines (SN 0200152825 through 0200194464)	
175	1705850	2	Decal - 1930ES Belgium Built Machines Only (SN 1200008481 through 1200022097)	
175	1705850	2	Decal - 2030ES/2630ES USA Built Machines Only (SN 0200152825 through 0200194676)	
175	1705850	2	Decal - 2030ES/2630ES Belgium Built Machines Only (SN 1200008481 through 1200022097)	
175	1705851	2	Decal - 2646ES/3246ES USA Built Machines Only (SN 0200152825 through 0200194676)	
175	1705851	2	Decal - 2646ES/3246ES Belgium Built Machines Only (SN 1200008481 through 1200022097)	
		Ref	Complete Decal Kit Options (Includes Items 4, 9-46 & 130-175):	
	1001149795	1	Complete Decal Kit 1930ES	A
	1001149796	1	Complete Decal Kit 2030ES	A
	1001149797	1	Complete Decal Kit 2630ES	A
	1001149798	1	Complete Decal Kit 2646ES	A
	1001149799	1	Complete Decal Kit 3246ES	A

SECTION 8 - DECALS

FIGURE 8-2. DECALS INSTALLATIONS (ANSI EXPORT SPEC)

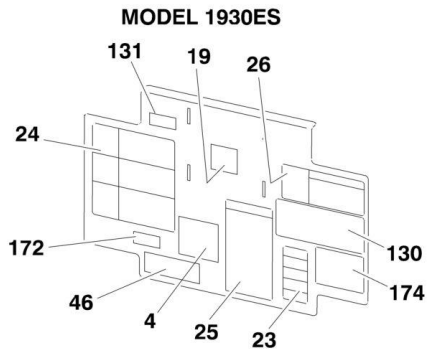


SECTION 8 - DECALS

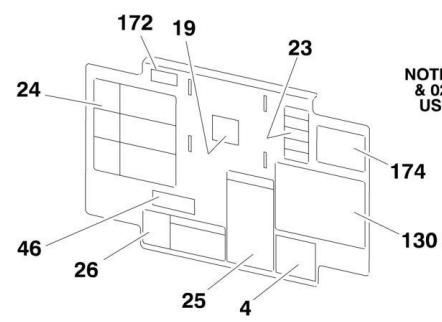
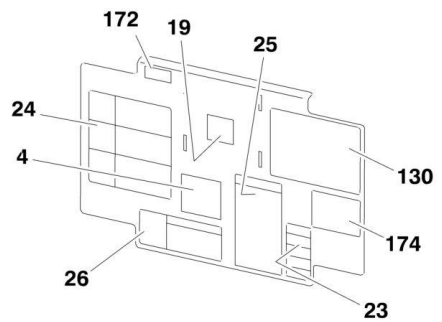


SECTION 8 - DECALS

PLATFORM DECAL PANEL DETAILS



MODELS 2030ES & 2630ES

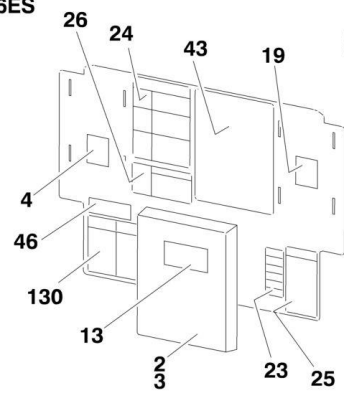
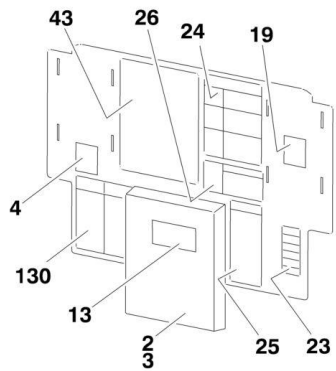


NOTE: SNs 0200166041 & 0200166080 ALSO USE THIS DESIGN.

USA BUILT MACHINES
SN 0200152825 THROUGH 0200168420
& BELGIUM BUILT MACHINES
SN 1200008481 THROUGH 1200014874

USA BUILT MACHINES
SN 0200168420 THROUGH 0200198014 &
BELGIUM BUILT MACHINES
SN 1200014874 TO PRESENT

MODELS 2646ES & 3246ES



NOTE: SNs 0200165918, 0200165941, 0200165946, 0200165995, 0200166005, 0200166033, 0200166047 & 0200166065 ALSO USE THIS DESIGN.

USA BUILT MACHINES
SN 0200152825 THROUGH 0200168420
& BELGIUM BUILT MACHINES
SN 1200008481 THROUGH 1200014874

USA BUILT MACHINES
SN 0200168420 THROUGH 0200198014 &
BELGIUM BUILT MACHINES
SN 1200014874 TO PRESENT

SECTION 8 - DECALS

FIGURE 8-2. DECALS INSTALLATIONS (ANSI EXPORT SPEC)

ITEM	PART NUMBER	QTY	DESCRIPTION	REV
		Ref	DECALS INSTALLATION - ANSI EXPORT SPECS	
	0275225	Ref	Brazilian Spec (Portuguese/Spanish Spec)	5
	0275226	Ref	Chinese Specs (English/Chinese Spec)	5
	0275223	Ref	CSA Spec (English/French)	5
	0275227	Ref	Korean Spec	6
	0275224	Ref	Latin American Spec (English/Spanish)	5
	0272870	Ref	JLG Decals	2
1	2080040	4	Fastener	
2	0860520	1	Box, Manual Storage	
3	1060279	1	Cable, Lanyard	
4	1700584	1	Decal - Patent	
5	2080057	4	Fastener	
7	Not Available	1	Decal - Bar Code (Not Shown - Located on Back of Platform Console Box) (USA Built Machines Only) (SN 0200152825 through 0200195328)	
7	Not Available	1	Decal - Bar Code (Not Shown - Located on Back of Platform Console Box) (Belgium Built Machines Only) (SN 1200008481 through 1200022484)	
9	1704412	1	Decal - Hydraulic Oil	
10	1705693	1	Decal - Safety Prop	
11	1704016	2	Decal - Forklift	
12	1702155	1	Decal - Battery Disconnect	
13	1701509	1	Decal - Manual Reference	
14	1703811	3	Decal - Lifting Lugs	
15	1703814	3	Decal - Tie Down	
16	1704277	3	Decal - Attach Lanyard Here	
17	1703819	4	Decal - Directional Arrow	
18	1703822	1	Decal - Manual Descent	
19	1705692	1	Decal - Control Box Location	
21		Ref	Decal - Crushing Hazard	
21	1705694	4	Decal All Specs Except Brazilian Spec	
21	1705722	4	Decal Brazilian Spec	
22		Ref	Decal - Danger Electrocution	
22	1705695	4	Decal All Specs Except Brazilian Spec	
22	1703834	4	Decal Brazilian Spec	
23		Ref	Decal - Legend	
23	1705726	1	Decal Brazilian Spec	
23	1705946	1	Decal Chinese Spec	
23	1705723	1	Decal CSA Spec	
23	1706057	1	Decal Korean Spec	
23	1705720	1	Decal Latin American Spec	
24		Ref	Decal - Danger/Warning	
24	1705680	1	Decal All Specs Except Brazilian Spec	
24	1705894	1	Decal Brazilian Spec	
25		Ref	Decal - Inspection	
25	1705679	1	Decal All Specs Except Brazilian Spec	
25	1705727	1	Decal Brazilian Spec	
26		Ref	Decal - Electrocution	
26	1705681	1	Decal All Specs Except Brazilian Spec	
26	1705721	1	Decal Brazilian Spec	

SECTION 8 - DECALS

ITEM	PART NUMBER	QTY	DESCRIPTION	REV
27		Ref	Decal - Warning Battery Vent	
27	1704341	2	Decal Brazilian Spec	
27	1704344	2	Decal Chinese Spec	
27	1704340	2	Decal CSA Spec	
27	1703856	2	Decal Korean Spec	
27	1704339	2	Decal Latin American Spec	
32	1705781	2	Decal - JLG	
35	1702773	1	Decal - JLG	
39		Ref	Decal - AC Power Options:	
39	1703464	1	Decal 120-60Hz	
39	3252507	1	Decal 220V-50/60Hz	
40		Ref	Decal - Crushing Hazard Options:	
40	1705725	4	Decal Brazilian and Latin American Specs	
40	1705717	4	Decal CSA Spec	
40	1705943	4	Decal Chinese Spec	
40	1706052	4	Decal Korean Spec	
41		Ref	Decal - Electrocution Options:	
41	1705724	4	Decal Brazilian and Latin American Specs	
41	1705718	4	Decal CSA Spec	
41	1705944	4	Decal Chinese Spec	
41	1706056	4	Decal Korean Spec	
43		Ref	Decal - Warning/Danger Options:	
43	1705719	1	Decal Brazilian and Latin American Specs	
43	3252098	1	Decal CSA Spec (English/French)	
43	1705945	1	Decal Chinese Spec	
43	1706053	1	Decal Korean Spec	
44	1701499	1	Decal - No Lift	
46	1001094359	1	Decal - Troubleshooting (USA Built Machines Only) (SN 0200168420 through 0200198014)	
46	1001094359	1	Decal - Troubleshooting (Belgium Built Machines Only) (SN 1200014906 to Present)	
	2902267	1	Decal Kit 1 (Includes Items 9-19 & 44)	8
		Ref	Decal Kit 2 Options (Includes Items 21-27 & 40-41):	
	2902526	1	Kit 2 Brazilian Spec (was p/n 2902302)	2
	2902528	1	Kit 2 Chinese Spec (was p/n 2902335)	2
	2902524	1	Kit 2 CSA Spec (was p/n 2902278)	2
	2902532	1	Kit 2 Korean Spec (was p/n 2902378)	2
	2902525	1	Kit 2 Latin American Spec (was p/n 2902301)	2
	0010588	Ref	DECAL OPTIONS	83
130		Ref	Decal - Capacity Options:	
130		Ref	Decal - 1930ES:	
130	1705638	2	Decal 500lbs/227kg (Platform Box and Platform Entry Locations)	
130	1705699	1	Decal 500lbs/227kg (Ground Control Box Location)	
130	1705639	3	Decal - 2030ES: 800lbs/363kg (All Locations)	
130		Ref	Decal - 2630ES:	
130	1705941	1	Platform Console Box Decal - 500lb/227kg & 800lb/360kg	
130	1705880	1	Platform Entry Decal - 500lb/227kg & 800lb/360kg	
130	1705941	1	Decal Ground Control Box - 500lb/227kg & 800lb/360kg	
130	1705640	3	Decal - 2646ES: 1000lbs/454kg	
130	1705641	3	Decal - 3246ES: 700lbs/317kg	
131		Ref	Decal - No Pipe Racks/Panel Carriers Options:	

SECTION 8 - DECALS

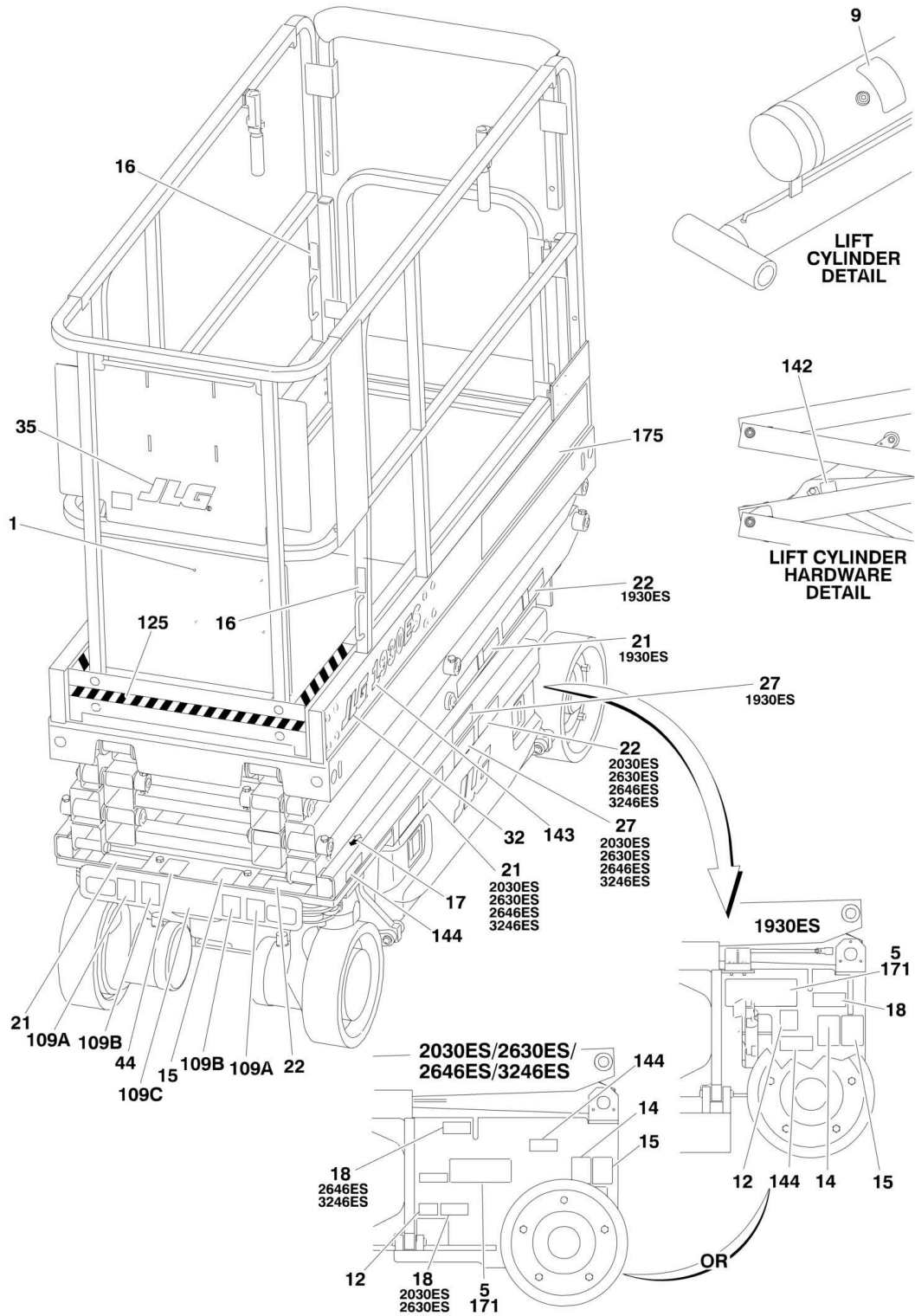
ITEM	PART NUMBER	QTY	DESCRIPTION	REV
131	Not Required	0	Decal - 1930ES USA Built Machines (SN 0200152825 through 0200166714)	
131	Not Required	0	Decal - 1930ES Belgium Built Machines (SN 1200008481 through 1200012994)	
131		Ref	Decal - 1930ES USA Built Machines (SN 0200166715 through 0200198014)	
131	Not Required	1	Decal - 1930ES Belgium Built Machines (SN 1200012995 to Present)	
131	1001092071	1	Decal ANSI Export/UL Specs	
131	1001120623	1	Decal Brazilian and Latin American Specs (was p/n 1001092071)	
131	1001092580	1	Decal CSA Spec	
131	1001120622	1	Decal Chinese Spec (was p/n 1001092071)	
131	1001120621	1	Decal Korean Spec (was p/n 1001092071)	
131	1001120629	1	Decal Latin American Spec (was p/n 1001092071)	
131	Not Required	0	Decal - 2030ES/2630ES/2646ES/3246ES	
142	1001116915	1	Decal - Hardware Retention (was p/n 1001116928)	
143		Ref	Decal - Model Designation Options:	
143	1705642	2	Decal - 1930ES USA Built Machines (SN 0200152825 through 0200194463)	
143	1705642	2	Decal - 1930ES Belgium Built Machines (SN 1200008481 through 1200022096)	
143	1001099919	2	Decal - 1930ES USA Built Machines (SN 0200194464 through 0200198014)	
143	1001099919	2	Decal - 1930ES Belgium Built Machines (SN 1200022097 to Present)	
143	1705643	2	Decal - 2030ES USA Built Machines (SN 0200152825 through 0200194675)	
143	1705643	2	Decal - 2030ES Belgium Built Machines (SN 1200008481 through 1200022096)	
143	1001099920	2	Decal - 2030ES USA Built Machines (SN 0200194676 through 0200198014)	
143	1001099920	2	Decal - 2030ES Belgium Built Machines (SN 1200022097 to Present)	
143	1705644	2	Decal - 2630ES USA Built Machines (SN 0200152825 through 0200194675)	
143	1705644	2	Decal - 2630ES Belgium Built Machines (SN 1200008481 through 1200022096)	
143	1001099921	2	Decal - 2630ES USA Built Machines (SN 0200194676 through 0200198014)	
143	1001099921	2	Decal - 2630ES Belgium Built Machines (SN 1200022097 to Present)	
143	1705645	2	Decal - 2646ES USA Built Machines (SN 0200152825 through 0200194675)	
143	1705645	2	Decal - 2646ES Belgium Built Machines (SN 1200008481 through 1200022096)	
143	1001099922	2	Decal - 2646ES USA Built Machines (SN 0200194676 through 0200198014)	
143	1001099922	2	Decal - 2646ES Belgium Built Machines (SN 1200022097 to Present)	
143	1705646	2	Decal - 3246ES USA Built Machines (SN 0200152825 through 0200194675)	
143	1705646	2	Decal - 3246ES Belgium Built Machines (SN 1200008481 through 1200022096)	
143	1001099923	2	Decal - 3246ES USA Built Machines (SN 0200194676 through 0200198014)	
143	1001099923	2	Decal - 3246ES Belgium Built Machines (SN 1200022097 to Present)	

SECTION 8 - DECALS

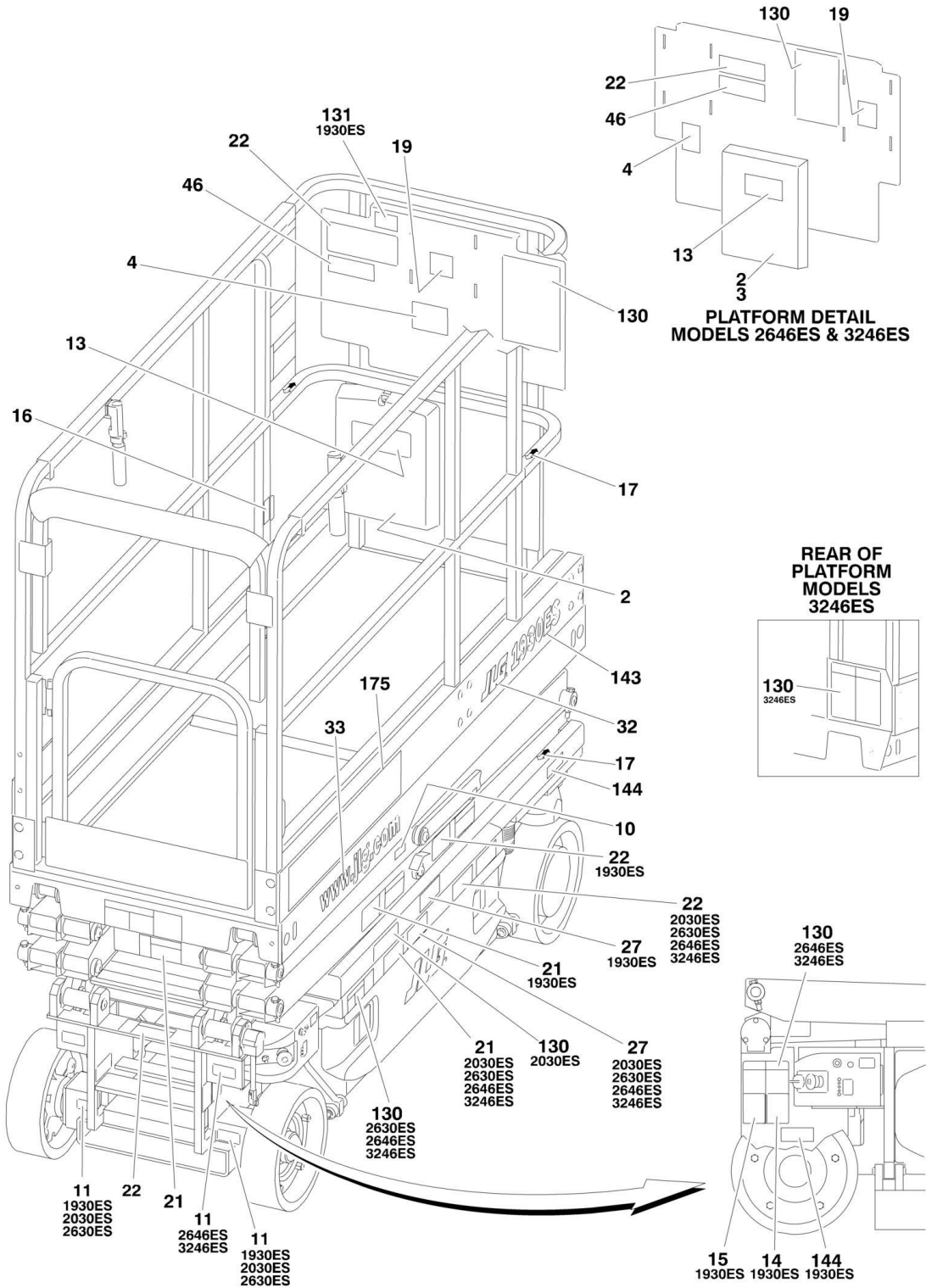
ITEM	PART NUMBER	QTY	DESCRIPTION	REV
			Present)	
144		Ref	Decal - Max Tire Load Options:	
144	1705647	4	Decal - 1930ES	
144	1706310	4	Decal - 2030ES/2630ES	
144	1706311	4	Decal - 2646ES/3246ES	
171	Not Available		Nameplate - Serial Number	
172		Ref	Decal - CSA Options:	
172	1705303	1	CSA Spec (English/French)	
172	Not Required	0	Latin American Spec (English/Spanish)/(English/Chinese Spec)	
174	3251813	1	Decal - Made in USA	
175		Ref	Decal - Platform Color Options:	
175	1705850	2	Decal - 1930ES USA Built Machines (SN 0200152825 through 0200194464)	
175	1705850	2	Decal - 1930ES Belgium Built Machines Only (SN 1200008481 through 1200022097)	
175	1705850	2	Decal - 2030ES/2630ES USA Built Machines Only (SN 0200152825 through 0200194676)	
175	1705850	2	Decal - 2030ES/2630ES Belgium Built Machines Only (SN 1200008481 through 1200022097)	
175	1705851	2	Decal - 2646ES/3246ES USA Built Machines Only (SN 0200152825 through 0200194676)	
175	1705851	2	Decal - 2646ES/3246ES Belgium Built Machines Only (SN 1200008481 through 1200022097)	
176	1705880	1	Decal - Capacity (Platform Entry) (800lbs/363kg - 500lbs/227kg) (2630ES)	

SECTION 8 - DECALS

FIGURE 8-3. DECAL INSTALLATION (AUSTRALIAN, CE AND JAPANESE SPECS)



SECTION 8 - DECALS



SECTION 8 - DECALS

FIGURE 8-3. DECAL INSTALLATION (AUSTRALIAN, CE AND JAPANESE SPECS)

ITEM	PART NUMBER	QTY	DESCRIPTION	REV
		Ref	DECALS INSTALLATION - ANSI EXPORT SPECS	
	0275222	Ref	Australian Spec	5
	0275221	Ref	CE and Japanese Specs	5
	0272870	Ref	JLG Decals	2
1	2080040	4	Fastener	
2	0860520	1	Box, Manual Storage	
4	1700584	1	Decal - Patent	
5	2080057	4	Fastener	
7	Not Available	1	Decal - Bar Code (Not Shown - Located on Back of Platform Console Box) (USA Built Machines) (SN 0200152825 through 0200195328)	
7	Not Available	1	Decal - Bar Code (Not Shown - Located on Back of Platform Console Box) (Belgium Built Machines) (SN 1200008481 through 1200022484)	
9	1704412	1	Decal - Hydraulic Oil	
10	1705693	1	Decal - Safety Prop	
11	1704016	2	Decal - Forklift	
12	1702155	1	Decal - Battery Disconnect	
13	1701509	1	Decal - Manual Reference	
14	1703811	3	Decal - Lifting Lugs	
15	1703814	3	Decal - Tie Down	
16	1704277	3	Decal - Attach Lanyard Here	
17	1703819	4	Decal - Directional Arrow	
18	1703822	1	Decal - Manual Descent	
19	1705692	1	Decal - Control Box Location	
21	1705673	4	Decal - Crushing Hazard	
22	1705671	5	Decal - Danger Electrocution	
27	1705670	1	Decal - Warning Battery Vent	
32	1705781	2	Decal - JLG	
35	1702773	1	Decal - JLG	
39		Ref	Decal - AC Power Options:	
39	1703464	1	Decal 120-60Hz	
39	3252507	1	Decal 220V-50/60Hz	
44	1701499	1	Decal - No Lift	
46	1001094359	1	Decal - Troubleshooting (USA Built Machines) (SN 0200168420 through 0200198014)	
46	1001094359	1	Decal - Troubleshooting (Belgium Built Machines) (SN 1200014906 through 0200198014)	
	2902267	1	Decal Kit 1 (Includes Items 9-19 & 44)	8
	2902523	1	Decal Kit 2 (Includes Items 21, 22 & 27)	1
	2890186	1	Decal Kit CE (Includes qty1 of p/n 1702928 CE Decal)	1
	0010588	Ref	DECAL OPTIONS	83
109	0273454	AR	Lifting Lug and Decals (Standard on Australian and Japanese Specs/Optional on CE Specs)	B
109A	1703811	2	Decal - Lifting Lug	
109B	1703814	2	Decal - Tie-Down	
109C	0240055	1	Attach, Lifting Lug	
109C	3574636	1	Bar, Mounting (Located Behind Item 109C)	
125		Ref	Decal - Corner Stripe Options:	
125	0272721	AR	Decal - 1930ES/2030ES/2630ES	B
125	0272862	AR	Decal - 2646ES/3246ES	B

SECTION 8 - DECALS

ITEM	PART NUMBER	QTY	DESCRIPTION	REV
125	4420051	1.3 m	Decal - 1930ES/2030ES/2630ES	
125	4420051	1.2 m	Decal - 2646ES/3246ES	
130		Ref	Decal - Capacity Options:	
130	1705666	1	Decal - 230kg Indoor/120kg Outdoor (1930ES)	
130	1705667	1	Decal - 360kg (2030ES)	
130	1705887	1	Decal - 230kg (2630ES) (Australian Specs)	
130	1705942	1	Decal - 230kg/360kg (2630ES) (CE Specs)	
130	1705668	1	Decal - 450kg (2646ES)	
130	1705819	1	Decal - 320kg/450kg (3246ES) (Australian Spec)	
130	1705704	1	Decal - 320kg (3246ES) (CE Spec)	
131		Ref	Decal - No Pipe Racks/Panel Carriers Options:	
131	Not Required	0	Decal - 1930ES USA Built Machines (Prior to SN 0200166715)	
131	Not Required	0	Decal - 1930ES Belgium Built Machines (Prior to SN 1200012995)	
131	1001092497	1	Decal - 1930ES USA Built Machines (was p/n 1001092071 for Australian Spec) (SN 0200166715 through 0200198014)	
131	1001092497	1	Decal - 1930ES Belgium Built Machines (was p/n 1001092071 for Australian Spec) (SN 1200012995 to Present)	
131	Not Required	0	Decal - 2030ES/2630ES/2646ES/3246ES	
142	1001116915	1	Decal - Hardware Retention (was p/n 1001116928)	
143		Ref	Decal - Model Designation Options:	
143	1705642	2	Decal - 1930ES USA Built Machines (SN 0200152825 through 0200194463)	
143	1705642	2	Decal - 1930ES Belgium Built Machines (SN 1200008481 through 1200022096)	
143	1001099919	2	Decal - 1930ES USA Built Machines (SN 0200194464 through 0200198014)	
143	1001099919	2	Decal - 1930ES Belgium Built Machines (SN 1200022097 to Present)	
143	1705643	2	Decal - 2030ES USA Built Machines (SN 0200152825 through 0200194675)	
143	1705643	2	Decal - 2030ES Belgium Built Machines (SN 1200008481 through 1200022096)	
143	1001099920	2	Decal - 2030ES USA Built Machines (SN 0200194676 through 0200198014)	
143	1001099920	2	Decal - 2030ES Belgium Built Machines (SN 1200022097 to Present)	
143	1705644	2	Decal - 2630ES USA Built Machines (SN 0200152825 through 0200194675)	
143	1705644	2	Decal - 2630ES Belgium Built Machines (SN 1200008481 through 1200022096)	
143	1001099921	2	Decal - 2630ES USA Built Machines (SN 0200194676 through 0200198014)	
143	1001099921	2	Decal - 2630ES Belgium Built Machines (SN 1200022097 to Present)	
143	1705645	2	Decal - 2646ES USA Built Machines (SN 0200152825 through 0200194675)	
143	1705645	2	Decal - 2646ES Belgium Built Machines (SN 1200008481 through 1200022096)	
143	1001099922	2	Decal - 2646ES USA Built Machines (SN 0200194676 through 0200198014)	
143	1001099922	2	Decal - 2646ES Belgium Built Machines (SN 1200022097 to Present)	
143	1705646	2	Decal - 3246ES USA Built Machines (SN 0200152825 through 0200194675)	
143	1705646	2	Decal - 3246ES Belgium Built Machines (SN 1200008481)	

SECTION 8 - DECALS

ITEM	PART NUMBER	QTY	DESCRIPTION	REV
143	1001099923	2	through 1200022096) Decal - 3246ES USA Built Machines (SN 0200194676 through 0200198014)	
143	1001099923	2	Decal - 3246ES Belgium Built Machines (SN 1200022097 to Present)	
144		Ref	Decal - Max Tire Load Options:	
144	1705648	4	Decal - 1930ES	
144	1706310	4	Decal - 2030ES/2630ES	
144	1706312	4	Decal - 2646ES/3246ES	
171	Not Available		Nameplate - Serial Number	
175		Ref	Decal - Platform Color Options:	
175	1705850	2	Decal - 1930ES USA Built Machines (SN 0200152825 through 0200194464)	
175	1705850	2	Decal - 1930ES Belgium Built Machines Only (SN 1200008481 through 1200022097)	
175	1705850	2	Decal - 2030ES/2630ES USA Built Machines Only (SN 0200152825 through 0200194676)	
175	1705850	2	Decal - 2030ES/2630ES Belgium Built Machines Only (SN 1200008481 through 1200022097)	
175	1705851	2	Decal - 2646ES/3246ES USA Built Machines Only (SN 0200152825 through 0200194676)	
175	1705851	2	Decal - 2646ES/3246ES Belgium Built Machines Only (SN 1200008481 through 1200022097)	

SECTION 9 - RECOMMENDED SERVICE PARTS STOCK

SECTION 9 - RECOMMENDED SERVICE PARTS STOCK

SECTION 9 - RECOMMENDED SERVICE PARTS STOCK

FIGURE 9-1. MODEL ES STANDARD PARTS

ITEM	PART NUMBER	QTY	DESCRIPTION	REV
	Note	Ref	Note: The following list will service one machine (built to current production per date on the front cover) with emergency repair parts which can be installed in the field. Parts from the list should be replaced when inventory is depleted to keep service parts stock supplied. For further information, contact your JLG dealer or the JLG Industries Parts Department.	
		Ref	STANDARD PARTS	
	4360069	1	Breaker, Circuit - 10 Amp	
	4360328	1	Switch, Toggle	
	2860030	1	Key, Replacement	
	4360475	1	Switch, Mushroom	
	4360387	1	Switch, Push Button	
	1001092354	1	Switch, Rotary Angle Sensor	
	1001134438	1	Controller, Drive	
	4360538	1	Switch and Membrane	
	4360539	1	Switch, Toggle	
	7027367	1	Switch, Push Button	
	70000798	1	Coil	
	70000799	1	Coil	
	7023593	1	Plug, Fill	
	7023576	1	Filter	
	1001097347	1	Relay	

SECTION 9 - RECOMMENDED SERVICE PARTS STOCK

FIGURE 9-2. MODEL ES VARIABLE PARTS

ITEM	PART NUMBER	QTY	DESCRIPTION	REV
	Note	Ref	Note: The following list will service one machine (built to current production per date on the front cover) with emergency repair parts which can be installed in the field. Parts from the list should be replaced when inventory is depleted to keep service parts stock supplied. For further information, contact your JLG dealer or the JLG Industries Parts Department.	
		Ref	VARIABLE PARTS	
	1600346	1	Drive Module (Frame)	
	2915064	1	Relay (UL Spec)	
	3740150	1	Relay (Non-UL Spec)	
	1001114933	1	Tilt Module	
	4360469	1	Switch, Key (ANSI/ANSI Export Spec)	
	4360470	1	Switch, Key (CE/AUstralian Spec)	
	3080007	1	Magnet, Latch (Machines with Platform Gate Entry)	
	1001101076	1	Snap Latch Repair Kit (Machines with Platform Chain Entry)	
	1001091965	1	Control Module (Platform)	
	1001109088	1	Switch, Limit	
	1001109475	1	Breaker, Circuit 16 Amp (CE Spec Machines with Platform Electrical Outlet)	
	1001109482	1	Breaker, Circuit 30mA (CE Spec Machines with Platform Electrical Outlet)	
	4360613	1	Limit Switch (Machines with Optional Brake Disconnect)	
	4360336	1	Switch, Toggle (ANSI and CSA Spec Machines with Optional Battery Charger/Inverter Combo)	
	3990010	2	Diode 6 Amp (ANSI and CSA Spec Machines with Optional Battery Charger/Inverter Combo)	

SECTION 9 - RECOMMENDED SERVICE PARTS STOCK

FIGURE 9-3. MODEL ES MAINTENANCE KITS

ITEM	PART NUMBER	QTY	DESCRIPTION	REV
	Note	Ref	Note: The following list will service one machine (built to current production per date on the front cover) with emergency repair parts which can be installed in the field. Parts from the list should be replaced when inventory is depleted to keep service parts stock supplied. For further information, contact your JLG dealer or the JLG Industries Parts Department.	
		Ref	MAINTENANCE KITS	
	1001101329	1	Annual Hydraulic Maintenance Kit - 1930ES/2030ES/2630ES (w/Standard Hydraulic Oil)	
	1001101330	1	Annual Hydraulic Maintenance Kit - 2646ES/3246ES (w/Standard Hydraulic Oil)	

SECTION 10 - SPECIAL OPTIONS

SECTION 10 - SPECIAL OPTIONS

FIGURE 10-1. SPECIAL OPTIONS LIST

ITEM	PART NUMBER	QTY	DESCRIPTION	REV
	Note	Ref	Note: This list is to accommodate machines ordered with special equipment. Options may not be applicable to all models. For more specific parts information contact JLG Parts Department.	
		Ref	SPECIAL OPTIONS LIST	
		Ref	Airline Installation (1/2in)	
	0274516	Ref	Airline Installation (1/2in) (1930ES)	
	0274370	Ref	Airline Installation (1/2in) (2030ES)	
	0274517	Ref	Airline Installation (1/2in) (2630ES)	
	0274446	Ref	Airline Installation (1/2in) (2646ES/3246ES)	
		Ref	Brake Disconnect/Release Kit Options	
	0275432	Ref	Brake Disconnect Cable Kit (Optional All Specs)	
	2902331	Ref	Brake Mount Kit (includes Mounting Bracket and Setscrew)	
	4922944	Ref	Brake Switch and Harness	
	0275530	Ref	Brake Release Switch (Optional ANSI, ANSI Export, CSA and UL Specs/Standard on Australian and CE Specs) For Machines without Pressure Checks)	
	See Note	Ref	Brake Release Switch (Optional ANSI, ANSI Export, CSA and UL Specs/Standard on Japanese Specs) (For Machines with Pressure Checks) (Was p/n 0275603) Note: Use Both p/ns 0275530 & 0273859.	
	2915016	Ref	Battery Charger Mounting Kit	
		Ref	Decal Options:	
	1001110179	Ref	Decals - Boels (1930ES CE Spec - Dutch Belgium)	
	1001106715	Ref	Decals - Boels (1930ES CE Spec - Dutch Netherlands)	
	1001109207	Ref	Decals - Boels (1930ES CE Spec - French)	
	1001110176	Ref	Decals - Boels (1930ES CE Spec - German Austria)	
	1001109146	Ref	Decals - Boels (1930ES CE Spec - German Deutschland)	
	1001109210	Ref	Decals - Boels (1930ES CE Spec - TJECH)	
	1001110180	Ref	Decals - Boels (2030ES CE Spec - Dutch Belgium)	
	1001106716	Ref	Decals - Boels (2030ES CE Spec - Dutch Netherlands)	
	1001109208	Ref	Decals - Boels (2030ES CE Spec - French)	
	1001110177	Ref	Decals - Boels (2030ES CE Spec - German Austria)	
	1001109147	Ref	Decals - Boels (2030ES CE Spec - German Deutschland)	
	1001109211	Ref	Decals - Boels (2030ES CE Spec - TJECH)	
	1001110181	Ref	Decals - Boels (2646ES/3246ES CE Spec - Dutch Belgium)	
	1001106717	Ref	Decals - Boels (2646ES/3246ES CE Spec - Dutch Netherlands)	
	1001109209	Ref	Decals - Boels (2646ES/3246ES CE Spec - French)	
	1001110178	Ref	Decals - Boels (2646ES/3246ES CE Spec - German Austria)	
	1001109148	Ref	Decals - Boels (2646ES/3246ES CE Spec - German Deutschland)	
	1001109212	Ref	Decals - Boels (2646ES/3246ES CE Spec - TJECH)	
	2890186	Ref	DECALS - CE KIT	
	0272721	Ref	Decals - Corner Stripes (1930ES/2030ES/2630ES)	
	0272862	Ref	Decals - Corner Stripes (2646ES/3246ES)	
	0273603	Ref	Decals - Commercial Solutions Group (ANSI and CSA Specs Only)	
	1705304	Ref	Decals - Service Support (Commercial Solutions Group Only) (ANSI, CSA and UL Specs Only)	
	0274545	Ref	Decals - FedEx (ANSI, CE, CSA and UL Specs Only)	

SECTION 10 - SPECIAL OPTIONS

ITEM	PART NUMBER	QTY	DESCRIPTION	REV
	0273603	Ref	Decals - Grainger Spec(ANSI, CSA and UL Specs Only)	
	0274527	Ref	Decals - Head and Engquist Equipment (ANSI Specs Only)	
	0273543	Ref	Decals - Hertz	
	0272877	Ref	Decals - Home Depot (ANSI, CSA and UL Specs Only)	
	0273544	Ref	Decals - Nations Rent(ANSI, CSA and UL Specs Only)	
	0274242	Ref	Decals - Nations Equipment Services (1930ES/2030ES/2630ES) (ANSI, CSA and UL Specs Only)	
	0274251	Ref	Decals - Nations Equipment Services (2646ES/3246ES) (ANSI, CSA and UL Specs Only)	
	0275900	Ref	Decals - RSC Equipment Rental (ANSI and CSA Specs Only)	
	1705304	Ref	Decals - Service Support (ANSI and CSA Specs Only)	
	1706922	Ref	Decals - Service Support (ANSI and CSA Specs Only)	
	0272872	Ref	Decals - Sunbelt (ANSI, CSA and UL Specs Only)	
	0274179	Ref	Decals - Sunstate (ANSI, CSA and UL Specs Only)	
	0274126	Ref	Decals - UL Specs (EE Rating) (USA Built Machines)	
	1001126013	Ref	Decals - UL Specs (EE Rating) (China Built Machines)	
	0272871	Ref	Decals - United Rentals (ANSI, CSA and UL Specs Only)	
	1001103307	Ref	Decals - UPS (ANSI Spec Only)	
		Ref	Electrical Connector Kits	
	1001148902	Ref	Amp/Tyco Electrical Connector Kit	
	1001148903	Ref	Deutsch DT Electrical Connector Kit	
	1001148904	Ref	Deutsch HD Electrical Connector Kit	
	1001148905	Ref	Packard Electrical Connector Kit	
	1001148906	Ref	Various Electrical Connectors Kit	
		Ref	Electricians Package (Work Station in the Sky Accessory)	
		Ref	Note: For Breakdown of this Accessory Refer to Accessories Manual p/n 3128160.	
	0273950	Ref	Without DC Converter	
	0273955	Ref	With DC Converter	
		Ref	Electricians Tree (Work Station in the Sky Accessory)	
		Ref	Note: For Breakdown of this Accessory Refer to Accessories Manual p/n 3128160.	
	0240092	Ref	Without DC Converter (USA Built Machines) (SN 0200152825 through 0200190218)	
	0240092	Ref	Without DC Converter (Belgium Built Machines) (SN 1200008481 through 1200020972)	
	1001102549	Ref	Without DC Converter (USA Built Machines) (SN 0200190219 through 0200198014)	
	1001102549	Ref	Without DC Converter (Belgium Built Machines) (SN 1200020973 to Present)	
	0274153	Ref	With DC Converter	
	0274849	Ref	Fire Extinguisher Installation (ANSI)	
		Ref	Fluids	
	2300028	AR	Fluid, Hydraulic - Mobil DTE 10 Excel 15 (Bulk)	
	70010346	AR	Fluid, Hydraulic - Mobil DTE 10 Excel 15 (1 Gallon)	
	2300042	AR	Fluid, Hydraulic - Synthetic Biodegradeable	
		Ref	Footswitch Installation Options (Japanese Spec)	
	0273761	Ref	Footswitch Installation (1930ES)	
	0273762	Ref	Footswitch Installation (2030ES/2630ES/2646ES/3246ES)	
	3128145	Ref	Inspection Packet (ANSI and ANSI Export Specs Only)	
	0274341	Ref	Interlock Override for Battery Charger Installation (ANSI)	
		Ref	Inverter Installations (ANSI, ANSI Export and Japanese Specs) Only)	

SECTION 10 - SPECIAL OPTIONS

ITEM	PART NUMBER	QTY	DESCRIPTION	REV
	0272876	Ref	Inverter Installations (1930ES)	
	0273070	Ref	Inverter Installations (2030ES/2630ES)	
	0273071	Ref	Inverter Installations (2646ES/3246ES)	
	2460042	1	Inverter Assembly	
	4360482	1	Switch, Toggle	
	1705051	1	Decal - Instructions	
	1705052	1	Decal - On-Off	
	0273454	Ref	Lifting Lugs Installations	
		Ref	Maintenance Kits - Annual Hydraulic (Not for Machines with Biodegradeable Hydraulic Fluid)	
	1001101329	Ref	Maintenance Kits (1930ES/2030ES/2630ES)	
	1001101330	Ref	Maintenance Kits (2646ES/3246ES)	
	2902405	Ref	Motor Band Kit (UL Specs Only)	
	3125053	Ref	Operator Video (ANSI and ANSI Export Specs Only)	
		Ref	Panel Carrier Installations (All Specs Except U/L Spec)	
		Ref	Note: For Breakdown of this Accessory Refer to Accessories Manual p/n 3128160.	
		Ref	Panel Carrier Installations (1930ES):	
	No Longer Available	NLA	ANSI, ANSI Export and CSA Specs (was p/n 0274970)	
	No Longer Available	NLA	Australian, CE and Japanese Specs (was p/n 0274969)	
		Ref	Panel Carrier Installations (2030ES & 2630ES):	
	0275006	Ref	ANSI, ANSI Export and CSA Specs	
	0275007	Ref	Australian, CE and Japanese Specs	
		Ref	Panel Carrier Installations (2646ES & 3246ES):	
	0274980	Ref	ANSI, ANSI Export and CSA Specs (2 in Wide Channel)	
	1001121695	Ref	ANSI, ANSI Export and CSA Specs (7in Wide Channel) (2646ES Only)	
	0274981	Ref	Australian, CE and Japanese Specs	
		Ref	Pipe Racks Installations (Not Available on 1930ES)	
		Ref	Note: For Breakdown of this Accessory Refer to Accessories Manual p/n 3128160.	
	1001092074	Ref	Installation for USA Built Machines (was p/n 0272884) (SN 0200152825 through 0200166714)	
	1001092074	Ref	Installation for Belgium Built Machines (was p/n 0272884) (SN 1200008481 through 1200012994)	
	1001092073	2	Pipe Rack Assembly for USA Built Machines (was p/n 0240057) (SN 0200152825 through 0200166714)	
	1001092073	2	Pipe Rack Assembly for Belgium Built Machines (was p/n 0240057) (SN 1200008481 through 1200012994)	
	1001092074	Ref	Installation for USA Built Machines (SN 0200166715 through 0200198014)	
	1001092074	Ref	Installation for Belgium Built Machines (SN 1200012995 to Present)	
	1001092073	2	Pipe Racks Assembly for USA Built Machines (SN 0200166715 through 0200198014)	
	1001092073	2	Pipe Racks Assembly for Belgium Built Machines (SN 1200012995 to Present)	
		Ref	Platform Latch - Magna-Latch Side Pull	
	1001135316	Ref	Platform Latch (1930ES/2030ES/2630ES)	
	1001135317	Ref	Platform Latch (2646ES/3246ES)	
		Ref	Platform Limit Switches and Rail Padding Installations	
	0275078	Ref	Rail Padding (1930ES) without Limit Switches (All Specs)	

SECTION 10 - SPECIAL OPTIONS

ITEM	PART NUMBER	QTY	DESCRIPTION	REV
		Ref	Rail Padding (1930ES) with Limit Switches Options:	
	0275080	Ref	Non-UL Spec (ANSI and ANSI Export Specs Only)	
	1001100029	Ref	UL Spec (ANSI and UL Specs Only)	
	0275077	Ref	Rail Padding (2030ES/2630ES) without Limit Switches (All Specs)	
		Ref	Rail Padding (2030ES/2630ES) with Limit Switches Options:	
	0275081	Ref	Non-UL (ANSI and ANSI Export Specs Only)	
	1001092701	Ref	UL Spec (ANSI and UL Specs Only)	
	0275076	Ref	Rail Assembly (2646ES/3246ES) without Limit Switches	
		Ref	Rail Assembly (2646ES/3246ES) with Limit Switches	
	0275082	Ref	Non-UL Spec (ANSI and ANSI Export Specs Only)	
	1001092702	Ref	UL Spec (ANSI and UL Specs)	
	1001098162	Ref	Platform Limit Switches and Rail Padding Installations 2646ES with Limit Switches without Padding (CE Spec Only)	
	1001121295	Ref	Platform Limit Switches and Rail Padding Installations 2646ES with Limit Switches with Padding (ANSI Export Spec Only)	
		Ref	PLATFORM WORKLIGHTS INSTALLATIONS	
	0272850	Ref	Platform Worklights Installations (1930ES) (Without UL Specs)	
	0272851	Ref	Platform Worklights Installations (2030ES) (Without UL Specs)	
	0272852	Ref	Platform Worklights Installations (2630ES) (Without UL Specs)	
	0272853	Ref	Platform Worklights Installations (2646ES/3246ES) (Without UL Specs)	
	0275937	Ref	Platform Worklights Installations (2646ES/3246ES) (With UL Specs)	
	0273951	Ref	Plant Maintenance Package (Work Station in the Sky Accessory)	
		Ref	Note: For Breakdown of this Accessory Refer to Accessories Manual p/n 3128160.	
	0273951	Ref	Plumbers Package (Work Station in the Sky Accessory)	
		Ref	Note: For Breakdown of this Accessory Refer to Accessories Manual p/n 3128160.	
	0273859	Ref	Pressure Check Installation (All Specs Except Australian and CE Specs)	
		Ref	Tools for Service	
	7002821	1	Crimper, Wire	
	7002823	1	Extractor, Pin - Universal	
	4460467	AR	Extractor, Pin #16 Gauge	
	4460510	AR	Extractor, Pin #12 Gauge	
	7004275	1	Installer, Cylinder Seal - 1in	
	7004276	1	Installer, Cylinder Seal - 1 1/2in	
	7002826	1	Installer, Cylinder Seal - 2in	
	7016654	1	Screwdriver, Magnetic	
	7002822	1	Screwdriver, Potentiometer	
	7002828	1	Stripper, Wire	
	2901443	1	Analyzer Kit	
	4341055	1	Service Safety Prop	
	1706331	1	Decal - ES Service Prop	
	70000555	1	Relief Valve Removable Tool (For Older Style Relief Valves)	
	2915230	1	Battery Charger Reprogram Controller Kit	
	0240093	Ref	Vise Installation (Work Station in the Sky Accessory)	

SECTION 10 - SPECIAL OPTIONS

ITEM	PART NUMBER	QTY	DESCRIPTION	REV
		Ref	Note: For Breakdown of this Accessory Refer to Accessories Manual p/n 3128160.	
		Ref	Welder Installations (All Specs Except U/L Spec)	
		Ref	Note: For Breakdown of this Accessory Refer to Accessories Manual p/n 3128160.	
	0272879	Ref	Welder Installations (1930ES) Complete Kit	
	0275072	Ref	Welder Installations (1930ES) Kit (Includes Fire Extinguisher and Power Cable Only)	
	0272880	Ref	Welder Installations (2030ES) Complete Kit	
	0275073	Ref	Welder Installations (2030ES Kit) (Includes Fire Extinguisher and Power Cable Only)	
	0272881	Ref	Welder Installations (2630ES) Complete Kit	
	0275074	Ref	Welder Installations (2630ES) Kit (Includes Fire Extinguisher and Power Cable Only)	
	0272882	Ref	Welder Installations (2646ES/3246ES) Complete Kit	
	0275075	Ref	Welder Installations (2646ES/3246ES) Kit (Includes Fire Extinguisher and Power Cable Only)	
		Ref	Work Station in the Sky Accessories Installations	
		Ref	Note: For Breakdown of this Accessory Refer to Accessories Manual p/n 3128160.	
	0273965	Ref	Work Station without DC Converter Installation	
	0240087	Ref	Work Station without DC Converter Assembly	
	0273955	Ref	Work Station with DC Converter Installation (1930ES/2030ES)	
	0273955	Ref	Work Station with DC Converter Installation (2630ES/2646ES/3246ES)	
	0240071	Ref	Work Station with DC Converter Assembly	

PART NUMBER INDEX

PART NUMBER INDEX

0010588.....14, 163, 170, 176	0272870 163, 169, 176	0274972 120	0275480.....45, 123
0060091.....27	0272871 187	0274973 134	0275485..... 126, 140, 154
0060093.....31	0272872 187	0274974 134	0275486..... 126, 140, 154
0100011.....9, 13, 39, 53	0272874 35	0274975 148	0275487..... 125, 140, 154
0100048.....53, 120, 134, 148	0272875 35	0274980 188	0275488..... 126, 140, 154
0100051.....45	0272876 188	0274981 188	0275489..... 126, 140, 154
0100083.....23	0272877 187	0274985 79	0275490..... 126, 140, 154
01001096627.... 128, 142	0272878 50, 95	0274991 75	0275530.....53, 186
0140011.....93	0272879 190	0274992 75	0275541..... 120
0140043.....25, 125, 139, 153	0272880 190	0275006 188	0275542..... 134
0200783.....70	0272881 190	0275007 188	0275543..... 134
0200789.....70	0272882 190	0275016 61, 107	0275544..... 148
0200799.....61, 66	0272887 41	0275017 67, 107	0275603..... 53
0200800.....66	0272888 41	0275018 61	0275663..... 36, 125, 139, 153
0200801.....66	0272913 25	0275019 66	0275664..... 36, 125, 139, 153
0200802.....61, 66	0272980 41	0275020 45	0275665..... 36, 125, 139, 153
0200803.....61, 66	0273070 188	0275021 45	0275666..... 36, 125, 139, 153
0200804.....61, 66	0273071 188	0275022 45	0275667..... 36
0200805.....66	0273227 9, 13, 113	0275029 75	0275692..... 57, 107
0200807.....61, 66	0273443 25, 50	0275042 45	0275693..... 61, 107
0200810.....57	0273444 49	0275043 45	0275694..... 67, 107
0200815.....57	0273454 176, 188	0275044 45	0275695..... 71, 107
0200816.....61	0273543 187	0275072 190	0275696..... 71, 107
0200820.....70	0273544 187	0275073 190	0275900..... 187
0200821.....57	0273603 186, 187	0275074 190	0275937..... 189
0200822.....57	0273698 45, 46	0275075 190	0276667.... 125, 139, 153
0200823.....57	0273761 187	0275076 189	0380025..... 49
0200824.....57	0273762 187	0275077 189	0400215..... 45
0200825.....57	0273859 189	0275078 188	0400216..... 45
0200826.....70	0273950 187	0275079 35	0440257..... 70
0200827.....70	0273951 189	0275080 189	0440259..... 9, 13, 109
0200828.....70	0273955 187, 190	0275081 189	0440263..... 27, 31
0200829.....70	0273965 190	0275082 189	0440264..... 10, 13, 57
0200830.....70	0273966 25, 50	0275088 35	0440265..... 10, 13
0200831.....70	0274012 41	0275092 27	0440266..... 57, 61, 66, 70
0200832.....70	0274126 187	0275093 27	0440267..... 61, 66, 70
0200834.....61, 66	0274153 187	0275094 31	0561520..... 75
0200838.....57	0274179 187	0275103 39	0610161..... 49
0200839.....61	0274242 187	0275104 39	0630565.... 75, 79, 83, 85, 89
0200840.....66	0274251 187	0275105 39	0630580.....9, 13
0200841.....70	0274341 187	0275120 41	0700614..... 28, 32
0200842.....70	0274370 186	0275185 9, 23	0700615..... 41, 45, 50
0240055..... 176	0274386 95	0275186 9, 23	0700616..... 45
0240071..... 190	0274446 186	0275187 9, 23	0700617..... 41
0240087..... 190	0274516 186	0275188 9, 23	0700619..... 23
0240092..... 187	0274517 186	0275189 9, 23	0700624..... 24
0240093..... 189	0274527 187	0275190 9, 23	0700819..... 24
0272309..... 41	0274545 186	0275212 41	0700823..... 79
0272371..... 9, 13, 113	0274546 9, 13, 113	0275216 129, 143, 157	0700825..... 83
0272721..... 176, 186	0274816 79	0275217 129, 143, 157	0701015..... 31, 61, 66
0272722..... 25	0274817 75	0275220 163	0701016..... 9, 13, 41, 70
0272780..... 49	0274841 57	0275221 176	0701017..... 66
0272781..... 49	0274849 187	0275222 176	0701020..... 9, 13, 70
0272810..... 25, 50	0274874 57, 107	0275223 169	0701022.... 57, 61, 66, 67, 70, 71, 75
0272811..... 25, 50	0274878 70	0275224 169	0701024..... 75
0272839..... 125, 140, 154	0274879 71, 107	0275225 169	0701027..... 70, 75
0272843.... 125, 126, 140, 154	0274880 70	0275226 169	0701029..... 66, 70, 75
0272850..... 189	0274881 71, 107	0275227 169	0760410..... 41
0272851..... 189	0274929 75	0275401 45	0760606.... 123, 137, 151
0272852..... 189	0274930 75	0275429 83	
0272853..... 189	0274931 75	0275432 53, 186	
0272862..... 176, 186	0274932 89	0275445 9, 23	
	0274933 89	0275452 129, 143, 157	
	0274943 85	0275453 129, 143, 157	
	0274944 85	0275454 129, 143, 157	
	0274971 75	0275472 126, 140, 154	

PART NUMBER INDEX

076061042, 45, 122, 136, 150	1001092580..... 171	1001100975..... 10	1001116915..... 164, 171, 177
0760612 42	1001092701..... 189	1001101076....79, 85, 89, 182	1001118215 95
0760614 122, 136, 150	1001092702..... 189	1001101329..... 184, 188	1001118216 95
0760619 127, 142, 156	1001092737..... 13, 18	1001101330..... 184, 188	1001120621 171
0760808 95	1001092738..... 13, 18	1001102258..... 36	1001120622 171
0760812 39	1001092739.... 13, 14, 23	1001102349..... 10	1001120623 171
0760814 39	1001092740.... 13, 14, 23	1001102351..... 10	1001120629 171
0761014 57	1001092741.... 13, 14, 23	1001102353..... 10	1001121295 189
0840041 ... 122, 124, 136, 138, 150, 152	1001093556 53, 130, 144, 158	1001102354..... 10	1001121695 188
0840057 121, 135, 149	1001093693..... 150	1001102489..... 36	1001126013 187
0840058 ... 121, 122, 135, 137, 149, 151	1001093839..... 39	1001102549..... 187	1001127269 45
0840059 ... 121, 122, 135, 136, 149, 150	1001094105..... 130, 144, 158	1001103029..... 41	1001127523 123, 137
0840060 123, 137, 151	1001094124..... 25	1001103030..... 42	1001128737 35
0840061 120, 134, 148	1001094154..... 120	1001103257 36, 125, 139, 153	1001132233 45
0860520 163, 169, 176	1001094155..... 134	1001103258 36, 125, 139, 153	1001134012 19, 138, 152
0861669 49	1001094156..... 134	1001103307..... 187	1001134438 93, 180
0861678 45, 46	1001094157..... 148	1001104465..... 123, 137, 151	1001134933 75
0861731 126, 140, 154	1001094175..... 122, 137, 151	1001104466..... 122	1001134934 75
0861781 126, 140, 154	1001094180..... 123, 137, 151	1001104467..... 136	1001134935 76
0902780 39	1001094203..... 53	1001104468..... 150	1001134951 75
0902905 41	1001094301..... 25	1001105108..... 41	1001135316 188
0902906 41	1001094332..... 120	1001105109..... 41	1001136847 39
0903086 41	1001094333..... 134	1001106715..... 186	1001137005 130, 144, 158
0903098 24	1001094334..... 134	1001106716..... 186	1001141967 126, 140, 154
0903319 39	1001094335..... 148	1001106717..... 186	1001141968 126, 127, 141, 155
0903339 122	1001094359..... 163, 170, 176	1001109088 ..28, 32, 121, 135, 149, 182	1001141969 126, 127, 141, 155
0903444 39	1001096627..... 156	1001109123..... 120, 121, 135, 149	1001148902 187
0903484 128, 142, 156	1001096628..... 126, 140, 154	1001109124..... 120, 135	1001148903 187
0903566 128, 142, 156	1001096705..... 122	1001109125..... 148	1001148904 187
0903569 128, 142, 156	1001096706..... 136	1001109146..... 186	1001148905 187
0903574 76	1001096707..... 150	1001109147..... 186	1001148906 187
0903598 53	1001096794..... 136	1001109148..... 186	1001149795 165
0962006 106	1001096795..... 138	1001109207..... 186	1001149796 165
0962181 106	1001096796..... 152	1001109208..... 186	1001149797 165
0962257 106	1001096798..... 150, 151	1001109209..... 186	1001149798 165
0962292 31	1001096799..... 136, 137	1001109210..... 186	1001149799 165
1001091102 127, 142, 156	1001097150..... 129, 143, 157	1001109211..... 186	1060279 169
1001091153 93	1001097347..... 180	1001109212..... 186	1060633 130, 144, 158
1001091154 93	1001098162..... 189	1001109218..... 120, 134	1060680 129, 143, 157
1001091272 93	1001099628..... 19, 124	1001109219..... 148	1060688 36, 125, 139, 153
1001091275 94	1001099676. 19, 138, 152	1001109232..... 27, 31	1060689 36, 125, 139, 153
1001091277 94	1001099919..... 164, 171, 177	1001109233..... 28, 31, 32	1060908 129, 143, 157
1001091278 94	1001099920..... 164, 171, 177	1001109345 ..28, 32, 121, 135, 149	1060998 123, 137, 151
1001091279 94	1001099921..... 164, 171, 177	1001109475..... 128, 142, 156, 182	1061001 123, 137, 151
1001091280 94	1001099922..... 164, 171, 177	1001109482..... 128, 142, 156, 182	1061034 ..62, 67, 71, 107
1001091390 94	1001099923..... 164, 171, 178	1001110176..... 186	1061036 ..57, 61, 67, 107
1001091393 95	1001100029..... 189	1001110177..... 186	1180380 70
1001091396 95	1001100343..... 126, 127, 129, 140, 141, 143, 154, 155, 157	1001110178..... 186	1180382 61, 66
1001091479 129, 144, 158	1001100344..... 126, 127, 129, 141, 143, 155, 157	1001110179..... 186	1180383 66
1001091492 25	1001100819..... 19	1001110180..... 186	1260136 79, 85, 89
1001091502 19, 124	1001100820..... 19	1001110181..... 186	1271617 79, 83
1001091965 95, 182	1001100974..... 9, 10	1001110826..... 46, 122	1271618 79, 83
1001091967 95		1001112111..... 35, 36	1320043 39
1001091968 95		1001112112..... 45	1320136 36
1001092071 164, 171		1001113574..... 35	1320162 25
1001092073 188		1001113576..... 35	1320318 120, 148
1001092074 188		1001114770..... 45	1321130 46
1001092354 ... 57, 62, 67, 71, 125, 139, 153, 180		1001114933..... 182	1321283 25
1001092454 53			1321293 36
1001092497 177			

PART NUMBER INDEX

1321716.....	122, 136, 150	1705646	164, 171, 177	2110404 ..	9, 13, 109, 113	2915236.....	9
1380132.....	79, 83, 85, 89	1705647	165, 172	2220882	106	2915240.....	76
1380153.....	9, 13	1705648	178	2220883	105, 106	2915241.....	76
1380156.....	93	1705666	177	2300028	187	2920026.....	49
1380158.....	120, 134, 148	1705667	177	2300042	187	2920094.....	49
1380159.....	95	1705668	177	2420172	49	2920161.....	41, 125, 139, 153
1600244.....	130, 144, 158	1705670	176	2460042	188	2930005.....	41
1600346.....	23, 182	1705671	176	250135	128, 142, 156	2940174.....	46
1600419.....	49	1705673	176	2540042 ...	120, 134, 148	2940175.....	46
1671098.....	93	1705674	93	2540045	76	3010088.....	79, 85, 89
1671105.....	49	1705675	93	2560088 ...	79, 83, 85, 89	3010158.....	27, 31
1671124.....	50	1705676	94	2560179	94	3080007....	79, 83, 85, 89, 182
1671131.....	95	1705679	163, 169	2560191 ...	79, 83, 85, 89	3125053.....	188
1671132.....	24	1705680	163, 169	2560205	137, 151	3128145.....	187
1671133.....	24	1705681	163, 169	2600281 ...	79, 83, 85, 89	3128601.....	10, 13
1671181.....	24	1705686	163	2753882	113	3128703.....	10, 14
1671182.....	24	1705692 ...	163, 169, 176	2755056	113	3160306.....	18
1671202.....	46	1705693 ...	163, 169, 176	2755061	113	3160307.....	18
1671203.....	46	1705694	163, 169	2780266	9, 10, 13	3160337.....	18
1671204.....	46	1705695	163, 169	2792599	113	3200454....	57, 62, 67, 71
1671207.....	126, 140, 154	1705696	49	2820026 ...	120, 122, 134, 137, 148, 151	3251813.....	165, 172
1684237... ..	9, 13, 109, 113	1705697	49	2820028 ...	120, 122, 134, 137, 148, 151	3252098.....	170
1684456... ..	9, 13, 109, 113	1705698	49	2820097	79, 85, 89	3252507....	126, 140, 154, 163, 170, 176
1684484.....	57, 104	1705699	163, 170	2820239	39	3290405....	27, 31, 41, 95, 127, 142, 156
1684487.....	61, 104	1705700	177	2860030	49, 180	3290605....	23, 28, 32, 41, 42, 45, 46, 127, 136, 142, 150, 156
1684488.....	66, 104	1705717	170	2890186	176, 186	3290805.....	39, 95
1684489.....	70, 104	1705718	170	2901443 ...	130, 144, 158, 189	3290806....	79, 83, 85, 89
1684490.....	70, 104	1705719	170	2902267 ...	163, 170, 176	3291005....	27, 31, 41, 57, 61, 62, 66, 67, 70, 71, 75, 79, 83, 85, 89, 122
1684526.....	57, 104	1705720	169	2902331	53, 186	3291007.....	57, 66, 71
1684527.....	61, 104	1705721	169	2902405	188	3300423.....	10
1684528.....	66, 104	1705722	169	2902431 ...	129, 143, 157	3300473.....	94
1684529.....	70, 104	1705723	169	2902448	79	3300477.....	89
1684530.....	70, 104	1705724	170	2902449	80	3321005.....	49
1700584.....	163, 169, 176	1705725	170	2902455	57	3321402....	57, 62, 67, 71, 107
1701499.....	163, 170, 176	1705726	169	2902475	71	3340612....	79, 83, 85, 89
1701509.....	163, 169, 176	1705727	169	2902476	122, 123	3340957.....	62, 67, 71
1702155.....	163, 169, 176	1705754	46	2902489	90	3340962....	57, 61, 66, 70
1702773.....	163, 170, 176	1705781 ...	163, 170, 176	2902490	89	3340964.....	57
1703464....	126, 140, 154, 163, 170, 176	1705819	177	2902491	89	3340965.....	57
1703811.....	163, 169, 176	1705850 ...	165, 172, 178	2902492	85	3340968.....	94
1703813.....	163	1705851 ...	165, 172, 178	2902493	85	3340975.....	46
1703814.....	163, 169, 176	1705880 ...	164, 170, 172	2902494	86	3340976.....	75
1703819.....	95, 163, 169, 176	1705887	177	2902496	79	3380475.....	94
1703822.....	163, 169, 176	1705894	169	2902499	61	3420156.....	61, 66, 70
1703834.....	169	1705941	164, 170	2902500	67	3422997.....	61, 66, 70
1703856.....	170	1705942	177	2902507	150, 151	3422998.....	66, 70
1704016.....	163, 169, 176	1705943	170	2902509	136, 137	3423009.....	70
1704277.....	163, 169, 176	1705944	170	2902522	163	3423011.....	70
1704339.....	170	1705945	170	2902523	176	3423014....	61, 66, 67, 70
1704340.....	170	1705946	169	2902524	170	3423026.....	70
1704341.....	170	1706052	170	2902525	170	3423031.....	57
1704344.....	170	1706053	170	2902526	170	3423032.....	57
1704412.....	163, 169, 176	1706056	170	2902528	170	3423036.....	61, 66
1705051.....	188	1706057	169	2902532	170	3423037.....	9, 13
1705052.....	39, 188	1706310 ...	165, 172, 178	2902535	83		
1705303.....	172	1706311	165, 172	2902536	83		
1705304.....	186, 187	1706312	178	2902541 ...	128, 142, 156		
1705638.....	163, 170	1706331	189	2915012	10, 14		
1705639.....	163, 170	1706350	46	2915013	10, 14		
1705640.....	164, 170	1706679	53	2915016	186		
1705641.....	164, 170	1706749	39	2915039	49		
1705642....	164, 171, 177	1706765	39	2915064	24, 182		
1705643....	164, 171, 177	1706922	187	2915230	36, 189		
1705644....	164, 171, 177	1810140	49				
1705645....	164, 171, 177	2080040 ...	79, 83, 85, 89, 163, 169, 176				
		2080057 ...	163, 169, 176				

PART NUMBER INDEX

3423038 57, 61, 66	3760348 27, 31	4360469.....49, 182	4460618 137, 151
3423039 66	3760387 61, 66, 70	4360470.....49, 182	4460633 ... 127, 128, 129, 141, 143, 155, 157
3423042 57	3760463 10, 13	4360475.....49, 94, 180	4460648 35, 121, 124, 135, 139, 149, 153
3423045 27, 31	3820019 79, 83, 85, 90	4360482.....188	4460662 126, 141, 155
3423049 75	3820032 46	4360538.....94, 180	4460754 122, 137, 151
3423067 61, 66	3841143 57, 61, 66, 70	4360539.....94, 125, 139, 153, 180	4460761 ... 121, 123, 135, 137, 149, 151
3423170 71	3841716 79, 83, 85, 89	4360613....129, 143, 157, 182	4460779 129, 144, 158
3423189 27, 31	3860104 70	4420037 90	4460814 121, 135, 149
3423239 57	3860107 66	4420051 177	4460868 130, 144, 158
3423255 71	3860111 79, 83, 86, 90	4420070.....41, 58, 71	4460870 121, 135, 149
3423259 62, 67	3860118 75	4420071 76	4460877 ... 121, 130, 135, 144, 149, 158
3423267 27, 31	3900333 94	4420072 76	4460884 121, 135, 149
3423278 83, 86, 90	3900336 49	4420073 76	4460891 ... 121, 124, 125, 136, 138, 139, 150, 152, 153
3423289 31	3900338 49, 95	4420074 76	4460894 ... 121, 135, 136, 149, 150
3450303 57	3900339 49	4420075 76	4460897 121, 135, 149
3450406 10	3900345 80, 83, 86, 90	4420076 76	4460899 35, 121, 124, 129, 135, 139, 144, 149, 153, 158
3510890 76	3900351 27, 75, 122	4420080.....41, 71	4460930 ... 120, 134, 136, 148, 149
3510892 76	3900356 49	4460138....127, 129, 141, 144, 155, 158	4460931 ... 121, 122, 135, 136, 149, 150
3520072 79, 83, 85, 89	3990010 ... 130, 144, 158, 182	4460226.....97, 121, 125, 130, 135, 139, 144, 149, 153, 158	4460943 ... 121, 122, 135, 137, 149, 151
3520193 49	3990013 121, 135, 149	4460227 35, 97, 121, 125, 135, 139, 149, 153	4460944 ... 120, 121, 122, 134, 135, 137, 148, 149, 151
3574067 75	4010405 127, 141, 155	4460265.....97, 120, 123, 134, 137, 148, 151	4460956 128, 143, 157
3574159 57	4010408 127, 141, 155	4460266.....97, 125, 139, 153	4460957 128, 142, 156
3574161 61, 66, 70	4010415 27, 31	4460267....120, 123, 130, 134, 137, 144, 148, 151, 158	4461016 120, 134, 148
3574176 27, 31	4010612 127, 142, 156	4460268.....123, 137, 151	4461057 120, 134, 148
3574184 79, 83, 85	4010616 79, 83, 85, 89	4460315.....126, 140, 154	4461196 36, 125, 127, 139, 141, 153, 155
3574636 176	4010617 . 83, 86, 90, 122, 123, 137, 151	4460320.....121, 135, 149	4461197 127, 141, 155
3574714 25	4010618 ... 79, 80, 83, 86, 89, 90	4460321 121, 130, 135, 144, 149, 158	4461198 ... 126, 127, 140, 141, 154, 155
3574981 45	4031512 27, 31	4460346.....127, 141, 155	4461199 36, 127, 141, 155
3574984 95	4031607 53	4460418.....123, 137, 151	4461200 127, 141, 155
3576093 57	4031713 45, 136, 150	4460419.....123, 137, 151	4461201 ... 126, 127, 140, 141, 154, 155
3576349 41	4060865 41	4460424.....35, 125, 130, 139, 144, 153, 158	4461202 36, 127, 141, 155
3576645 79	4071094 61, 66, 71	4460428.....127, 141, 155	4461203 127, 141, 155
3576646 89	4160078 ... 57, 62, 67, 71, 107	4460464.....35, 120, 121, 122, 124, 125, 129, 134, 135, 136, 137, 139, 144, 148, 149, 151, 153, 158	4461205 36, 127, 141, 155
3576932 83, 85	4160202 27, 31	4460465....120, 121, 122, 124, 125, 134, 135, 136, 137, 138, 139, 148, 149, 150, 151, 152, 153	4461206 127, 141, 155
3577029 27, 31	4160203 94	4460493.....122, 137, 151	4461244 ... 126, 127, 140, 141, 154, 155
3577030 27, 28, 31	4191306 94, 95	4460496.....120, 134, 148	4461245 ... 126, 127, 140, 141, 154, 155
3577112 10	4191407 94	4460497 120, 134, 148	4461246 ... 126, 127, 140, 141, 154, 155
3641604 79	4191409 94	4460508.....124, 139, 153	4461250 127, 141, 155
3641605 79	4191706 ... 24, 25, 36, 39, 53, 57, 62, 67, 71, 127, 142, 156	4460509.....124, 138, 152	4461257 126, 141, 155
3641606 79	4191707 ... 24, 36, 39, 41, 45	4460510....130, 144, 158, 189	4461258 126, 141, 155
3641607 89	4191708 24, 127, 142, 156	4460536.....125, 139, 153	4461260 124, 139, 152
3641608 89	4191709 24	4460539.....121, 135, 149	4461261 124, 138, 152
3641609 89	4220252 46		
3641610 89	4220253 46		
3641611 89	4220287 27		
3641612 89	4220293 31		
3641613 89	4240003 129, 143, 157		
3641614 85, 89	4240147 24		
3641615 85, 89	4240172 46		
3641616 85	4340739 49		
3641617 85	4340751 25		
3641618 85	4340914 75		
3641619 83, 85	4341055 189		
3641620 83, 85	4360069 49, 180		
3641621 85	4360328 49, 180		
3641622 85	4360336 ... 130, 144, 158, 182		
3641650 83	4360387 53, 129, 143, 157, 180		
3641651 83			
3641652 83			
3641653 83			
3641654 83			
3730119 122, 137, 151			
3740150 24, 124, 139, 153, 182			
3760115 27, 31, 57			
3760170 57			

PART NUMBER INDEX

4568667.....83, 85, 89	4923367.....123	70004193.....106	7023556.....106
4568738.....94	4923374.....124	70010346.....187	7023557.....104
4569305.....79	4923390....129, 144, 158	7002821...130, 144, 158, 189	7023558.....104
4569310.....89	4923391....129, 144, 158	7002822.....189	7023559.....109
4569319.....85	4923392....130, 144, 158	7002823...130, 144, 158, 189	7023560.....109
4569404.....83, 85, 89	4923393....130, 144, 158	7002826.....189	7023561.....109
4569428.....83	4923401.....151	7002828...130, 144, 158, 189	7023562.....109
4661199....125, 139, 153	4923402.....151	7003790.....97	7023563.....109
4661202....125, 139, 153	4923406.....151	7004275.....189	7023564.....109
4661205....125, 139, 153	4923409.....152	7004276.....189	7023565.....109
4661249....125, 139, 153	4923410.....152	7010641.....13	7023568.....104
4740086.....27, 31	4923414.....123, 137	7010642.....13	7023569.....104
4740438.....61, 66, 70	4923415.....137	7011997.....97	7023570.....104
4740468.....10	4923416.....138	7012524.....13	7023571.....105
4740524.....10, 13	4923602....25, 124, 138, 152	7016319.....41	7023572.....105
4740531.....57	4923647.....122, 150	7016372.....41	7023573.....105
4740545....120, 134, 148	4923648.....123, 124	7016654.....189	7023574.....105
4740562.....39	4933351....120, 135, 148	7019697.....13	7023575.....105
4740564.....10, 13	70000082.....99	7020175.....49, 94	7023576.....105, 180
4750800.....41, 46	70000084.....99	7020176.....49, 94	7023577.....104
4751000.....49	70000107.....109	7020218...57, 62, 67, 71, 107	7023578.....104
4751400.....24, 41	70000108.....109	7020500.....97	7023579.....105
4811400....95, 127, 142, 156	70000110.....109	7020501.....97	7023580.....105
4811600.....46, 53	70000191.....18	7020551.....97	7023581.....105
4811700....25, 28, 32, 36, 39, 41, 42, 45, 122, 127, 136, 142, 150, 156	70000191.....18	7020552.....97	7023582.....105
4811900.....25, 79, 83	70000335.....105	7020553.....97	7023583.....104
48120009, 13, 27, 31, 57, 61, 66, 71, 75, 76, 79, 83, 85, 89, 122	70000383.....19	7020554.....97	7023584.....105
4831700.....24	70000555.....189	7020555.....97	7023585.....104
4846684.....70	70000658.....104	7020556.....97	7023586.....105
4846723....79, 83, 86, 90	70000659.....105	7020557.....97	7023587.....104
4846752.....66	70000683.....99	7020558.....97	7023588.....105
4846757.....9, 13	70000684.....99	7020559.....97	7023589.....104
4846764.....76	70000685.....99	7020560.....97	7023591.....105
4846768.....76	70000686.....99	7023528.....106	7023593.....104, 180
4846775.....27	70000790.....19	7023529.....106	7024747.....19
4846811.....31	70000791.....19	7023530.....106	7024748.....19
4846812.....41	70000792.....19	7023531.....106	7024749.....19
4846813.....41	70000798.....106, 180	7023532.....106	7024750.....19
4846816.....27	70000799.....106, 180	7023533.....106	7024756.....19
4846861.....27	70001250.....99	7023534.....106	7024757.....18
4846862.....31	70001251.....99	7023535.....104	7024758.....19
4846863.....27	70001252.....99	7023536.....106	7024771.....19
4922865....50, 123, 137, 151	70001253.....99	7023537.....106	7024772.....19
4922870....94, 120, 134, 148	70001263.....19	7023538.....106	7024773.....20
4922944....53, 129, 143, 157, 186	70001265.....20	7023539.....104	7024776.....20
4923271....122, 136, 150	70001345.....19	7023542.....106	7024785.....19
4923272.....123, 138	70001442..124, 138, 152	7023543.....106	7024786.....18
4923350....121, 136, 149	70001443..124, 138, 152	7023544.....106	7024787.....20
4923365.....123	70001444..124, 138, 152	7023545.....106	7026183.....13
4923366.....123	70001709.....106	7023546.....106	7026184.....13
	70001739.....18	7023547.....106	7026185.....13
	70001878.57, 62, 67, 71, 107	7023548.....106	7027365.....99
	70001949.....19	7023549.....104	7027367.....99, 180
	70001982.....106	7023550.....106	7027765.....99
	70003645.....104	7023551.....106	7027766.....99
	70003646.....104	7023552.....106	7027863.....46
	70003650.....99	7023553.....106	
		7023554.....106	



3121248



An Oshkosh Corporation Company

Corporate Office
JLG Industries, Inc.
1 JLG Drive
McConnellsburg PA. 17233-9533
USA

☎ (717) 485-5161

📠 (717) 485-6417

JLG Worldwide Locations

<p>JLG Industries (Australia) P.O. Box 51 19 11 Bo Iwarra Road Port Macquarie N.S.W. 2444 Australia ☎ +61 2 65 81 1111 📠 +61 2 65 8 13058</p>	<p>JLG Latino Americana Ltda. Rua Eng. Carlos Stevenson, 80-Suite 71 13092-310 Campinas -SP Brazil ☎ +55 19 3 295 0407 📠 +55 19 3295 1025</p>	<p>JLG Industries (UK) Ltd Bentley House Bentley Avenue Middleton Greater Manchester M24 2GP - England ☎ +44 (0)161 654 1000 📠 +44 (0)161 654 1001</p>	<p>JLG France SAS Z.I. de Baulieu 47400 Fauillet France ☎ +33 (0)5 53 88 3 170 📠 +33 (0)5 53 88 31 79</p>
<p>JLG Deutschland GmbH Max-Planck-Str. 21 D - 27721 Rittehude - Irlpohl Germany ☎ +49 (0)421 69 350 20 📠 +49 (0)421 69 350 45</p>	<p>JLG Equipment Services Ltd. Rm 11 07 Landmark North 39 Lung Sum Avenue Sheung Shui N. T. Hong Kong ☎ (852) 2639 5783 📠 (852) 2639 5797</p>	<p>JLG Industries (Italia) s.r.l. Via P.o. 22 20010 Pragnana Milanese - MI Italy ☎ +39 02 9 35 9 52 10 📠 +39 02 9 35 9 58 45</p>	<p>Oshkosh-JLG Singapore Technology Equipment Pte Ltd 29 Tuas Ave 4, Jurong Industrial Estate Singapore, 63 9379 ☎ +65-6591 9030 📠 +65-6591 9031</p>
<p>Plataformas Elevadoras JLG Iberica, S.L. Trapadella, 2 P.I. Castellbisbal Sur 08755 Castellbisbal, Barcelona Spain ☎ +34 9 3 772 4700 📠 +34 93 771 1762</p>	<p>JLG Sverige AB Enkopingsvagen 150 Box 704 SE - 176 27 Jarfalla Sweden ☎ +46 (0)850 659 500 📠 +46 (0)850 659 534</p>		

www.jlg.com